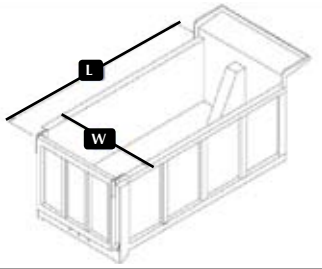
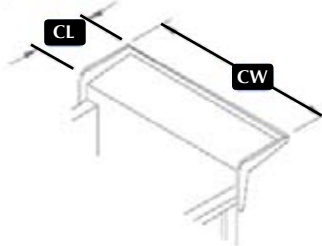




800.535.9545 www.aeroindustries.com

First Name _____ Last Name _____
 Company _____ Job Title _____
 Address _____ Address 2 _____
 City _____ State/Province _____ Zip _____
 Country: US Canada Phone _____ Email _____

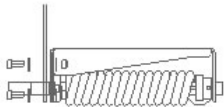
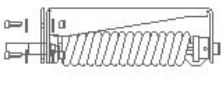

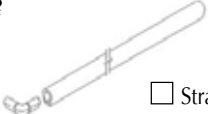
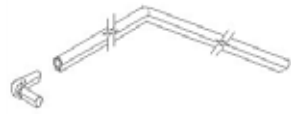
Easy Cover Order Template: Dump Trucks

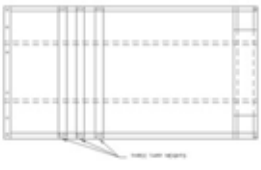
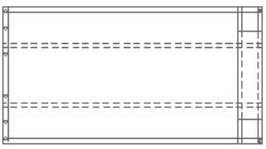
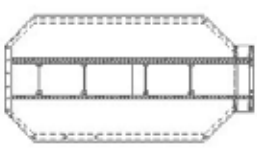
VEHICLE INFO <i>dump truck only</i>	What is the length (L) of the dump body? <input type="text"/> ft <input type="text"/> in	
	What is the width of the body (W) at the outside of the top rail? <input type="text"/> ft <input type="text"/> in	
	What is the length of the cab shield (CL)? <input type="text"/> ft <input type="text"/> in	
	What is the width of the cab shield (CW) where the system will be mounted? <input type="text"/> ft <input type="text"/> in	
	Where will the system be mounted? <input type="checkbox"/> Front (standard for electric kits) <input type="checkbox"/> Back (standard for manual kits) <input type="checkbox"/> Middle	

POWER SUPPLY	How will this system be powered? <small>Note: Reverse DC contactor will be only wiring option</small> <input type="checkbox"/> manual system <input type="checkbox"/> optional wireless connect (electric model only) <input type="checkbox"/> electric system (standard)
---------------------	---

FRONT ROLL UP BAR OPTIONS	What housing option will the system need? <input type="checkbox"/> Wind Deflector - (standard) <input type="checkbox"/> Mounting Plates and Bearings only <input type="checkbox"/> None <input type="checkbox"/> Tarp Housing <input type="checkbox"/> Bearings only
----------------------------------	---

ARMS	Which arms material will be used for the system? <input type="checkbox"/> Aluminum Arms (standard) <input type="checkbox"/> Steel Arms
-------------	---

ARM OPTIONS	Which spring option is required?  <input type="checkbox"/> Undermount Springs (standard)  <input type="checkbox"/> Underbody Springs  <input type="checkbox"/> Sidemount Springs (28' or less only)
	What type of upper arms will be needed?  <input type="checkbox"/> Straight Arms  <input type="checkbox"/> Bent Arms

TARP OPTIONS	What tarp material will be used for this system? MESH TARP OPTIONS <input type="checkbox"/> Black Vinyl (standard) ASPHALT TARP OPTIONS <input type="checkbox"/> RFL Black (standard) <small>(custom tarps/colors available at an additional cost)</small>	Would you like a weigh down tarp option?  <input type="checkbox"/> Add Weigh Down <small>*The weigh down tarp keeps your tarp down and prevents wind from getting under the tarp. There are no mechanical components which can become damaged or interfere with operation. The Weigh Down Tarp uses the constant force of gravity and is safely stored inside the tarp wind deflector or housing when the tarp is open.</small>
	What type of tarp will be used for this system?  <input type="checkbox"/> Standard Width Tarp - (85")  <input type="checkbox"/> Bungee Tarp - (108")	

LINER OPTIONS	Are you interested in a Dump Body Liner? <input type="checkbox"/> QuickSilver <input type="checkbox"/> DURAPRO <input type="checkbox"/> HMW <input type="checkbox"/> no
----------------------	--