

Easy Cover[®] Model 555

Parts Lists

Attention Dealers: Please give this owners manual to the customer when the product is delivered.

Call 800-535-9545 | www.aeroindustries.com

Indianapolis, IN | Omaha, NE | Streetsboro OH

Easy Cover® Model 555

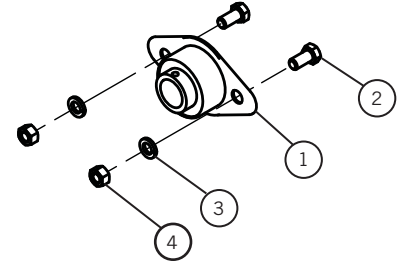
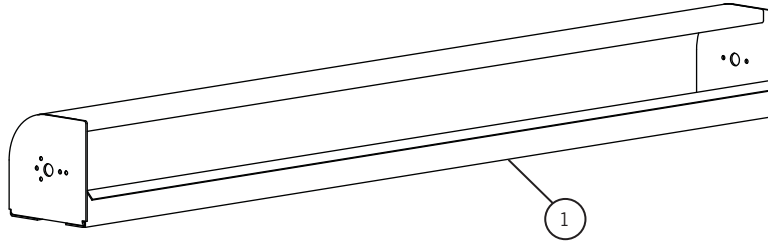
Parts List Directory

| Item | Page |
|---------------------------------------|------|
| Tarp Housing and Mounting Brackets | 3 |
| Roll Bar Fixed (Electric) | 4 |
| Swing Arms Coal | 5 |
| Body Guard Kit and Arm Restraint Coal | 6 |
| Flange Mounted Powerpack Spring Hex | 7 |
| Motor | 8 |
| RDCC Kit 50 Amp Rocker | 9 |
| Wire and Plugs | 10 |
| Wireless Connection Kit | 11 |

Easy Cover® Model 555

Parts List

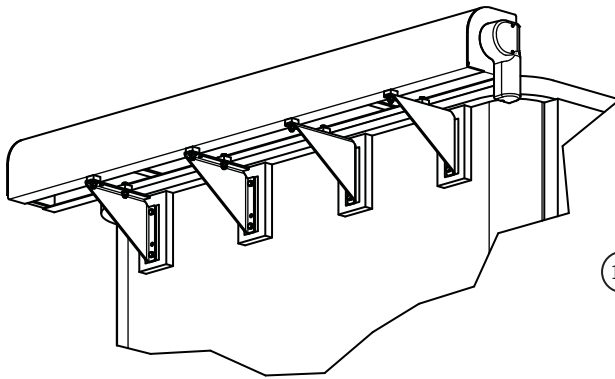
Tarp Housing and Mounting Brackets



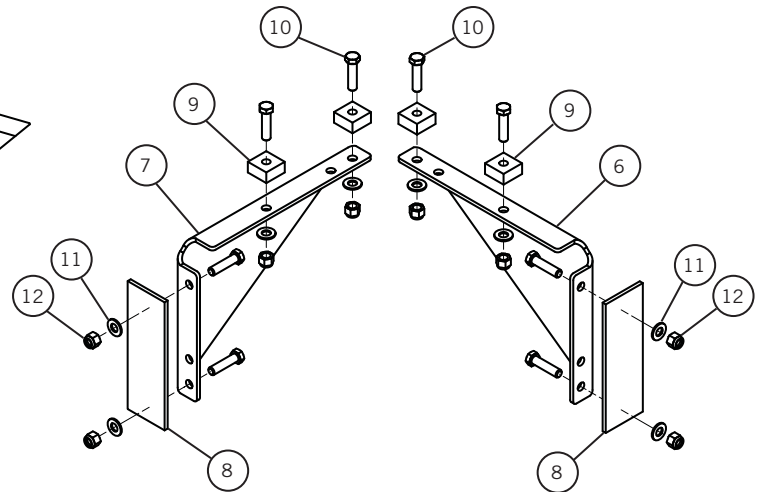
| No. | Part No. | Description |
|-----|-------------|------------------|
| 1 | 0311-961960 | Tarp Housing 96" |

0311-962583 Bearing Kit for all Tarp Housings

| No. | Part No. | Description | Qty |
|-----|-------------|------------------------|-----|
| 2 | 0710-602155 | Bearing Flange 1" Bore | 1 |
| 3 | 0810-670682 | 3/8-16 x 3/4 Hex Bolt | 2 |
| 4 | 0820-680610 | 3/8 Lock Washer | 2 |
| 5 | 0815-660640 | 3/8-16 Hex Nut | 2 |



Trailer Mounting



Trailer Mounting Hardware

0311-962095 Housing Bracket Kit

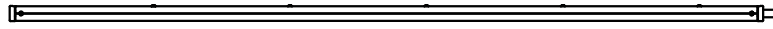
| No. | Part No. | Description | Qty |
|-----|-------------|-----------------------------|-----|
| 6 | 0311-860434 | Housing Mounting Bracket PS | 1 |
| 7 | 0311-860435 | Housing Mounting Bracket DS | 1 |
| 8 | 0311-860430 | Backing Plate | 2 |

| No. | Part No. | Description |
|-----|-------------|-------------------------|
| 9 | 0765-618840 | Rubber Bushing |
| 10 | 0810-600002 | 1/2-13 x 2 Hex Bolt GR5 |
| 11 | 0820-680810 | 1/2 Flat Washer |
| 12 | 0815-660855 | 1/2 Nylon Hex Nut |

Easy Cover[®] Model 555

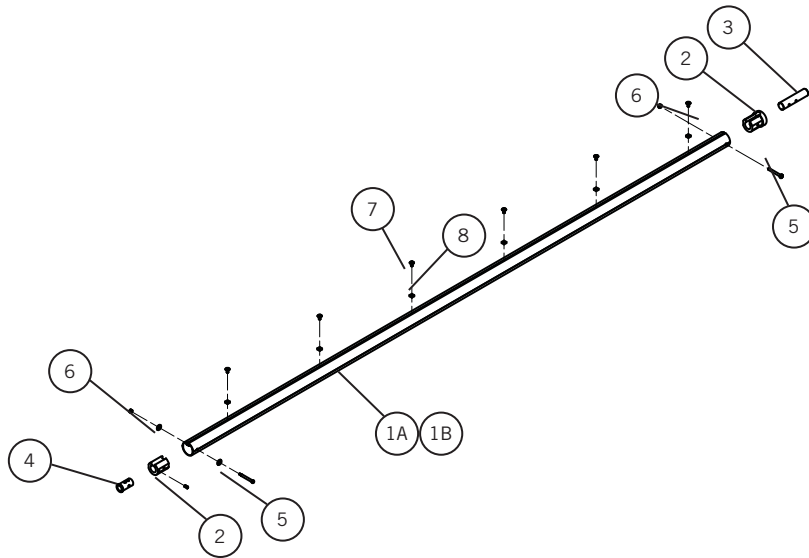
Parts List

Roll Bars Fixed Width



Roll Bar Electric Assembly 102"

0311-961287

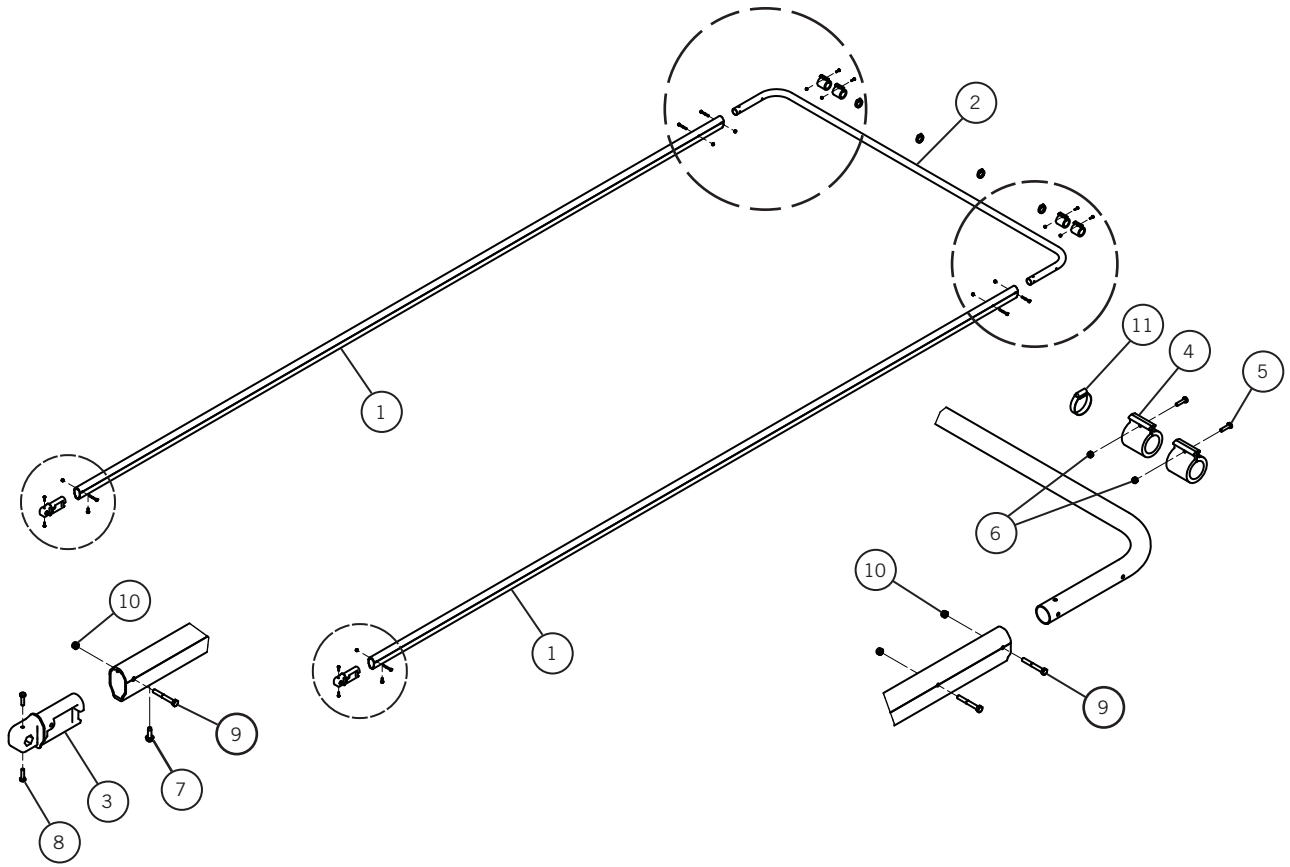


| No. | Part No. | Description |
|-----|-------------|---------------------------|
| 1A | 0311-862206 | Roll Tube 1pc 91 7/8" |
| 1B | 0311-862208 | Roll Tube 1pc 97 7/8" |
| 2 | 0311-861431 | Roll Bar End 400 P.S. |
| 3 | 0311-860497 | Shaft End P.S. |
| 4 | 0311-861425 | Bushing Plastic Motor E/C |
| 5 | 0810-650478 | 1/4-20 x 2 1/4 Hex Bolt |
| 6 | 0815-660456 | 1/4-20 Nylon Hex Jam Nut |
| 7 | 0825-690702 | 1/4-20 x 1/2 Truss Head |
| 8 | 0815-660702 | 1/4-20 Square Nut |

Easy Cover® Model 555

Parts List

Swing Arms for Coal

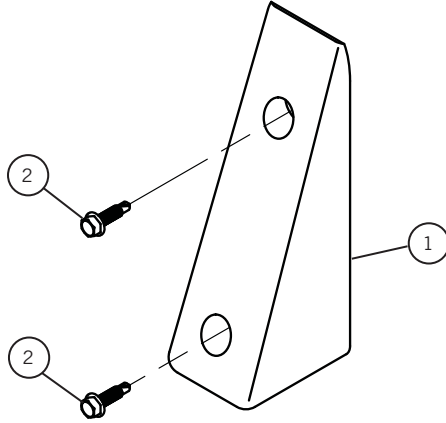


| No. | Part No. | Description |
|-----|-------------|-----------------------------|
| 1 | 0311-861872 | Extrusion Coal Swing Arm |
| 2 | 0311-861857 | Cross Arm U-Shaped |
| 3 | 0311-864107 | End Fitting EC Large |
| 4 | 0311-862275 | Rubber Bumper |
| 5 | 0810-650501 | 1/4-20 x 1 Hex Bolt GR5 |
| 6 | 0815-660451 | 1/4-20 Nylon Hex Nut |
| 7 | 0825-650621 | 3/8 x 1 HWH Type F |
| 8 | 0810-670700 | 3/8-16 x 1 Hex Bolt GR5 |
| 9 | 0810-670653 | 3/8-16 x 2 1/2 Hex Bolt GR8 |
| 10 | 0815-660660 | 3/8-16 Nylon Hex Nut |
| 11 | 0850-600003 | Clamp Hose Worm 2-3 Dia |

Easy Cover® Model 555

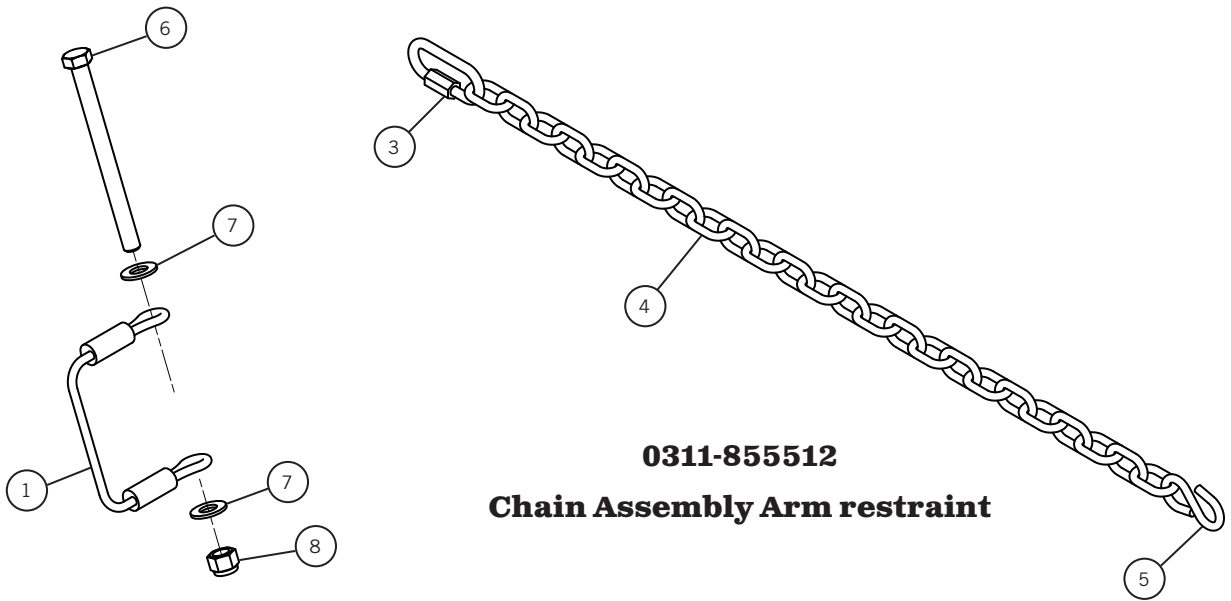
Parts List

Body Guard



| 0311-960212 Body Guard Plastic Assembly | | |
|---|-------------|---------------------|
| No. | Part No. | Description |
| 1 | 0311-860219 | Body Guard Plastic |
| 2 | 0825-670345 | #14 x 1 1/2 HWH TEK |

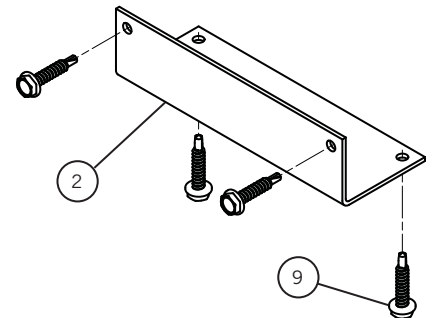
Arm Restraint Coal



0311-855512

Chain Assembly Arm restraint

| No. | Part No. | Description |
|-----|----------------|----------------------------|
| 1 | 0311-855511 | Cable Tie Down 8" C to C |
| 2 | 0311-855510 | Angle Chain Corner |
| 3 | 0720-603513 | Chain Quick Link 1/4" |
| 4 | 0720-603522-22 | Chain 3/16 x 22.5 25 Links |
| 5 | 0730-690826 | Hook S Open End .19 x 1.56 |
| 6 | 0810-670663 | 3/8-16 x 4 1/2 Hex Bolt |
| 7 | 0820-680620 | 3/8 Flat Washer |
| 8 | 0815-660660 | 3/8-16 Nylon Hex Nut |
| 9 | 0825-670345 | #14 x 1 1/2 HWH TEK |



Easy Cover® Model 555

Parts List

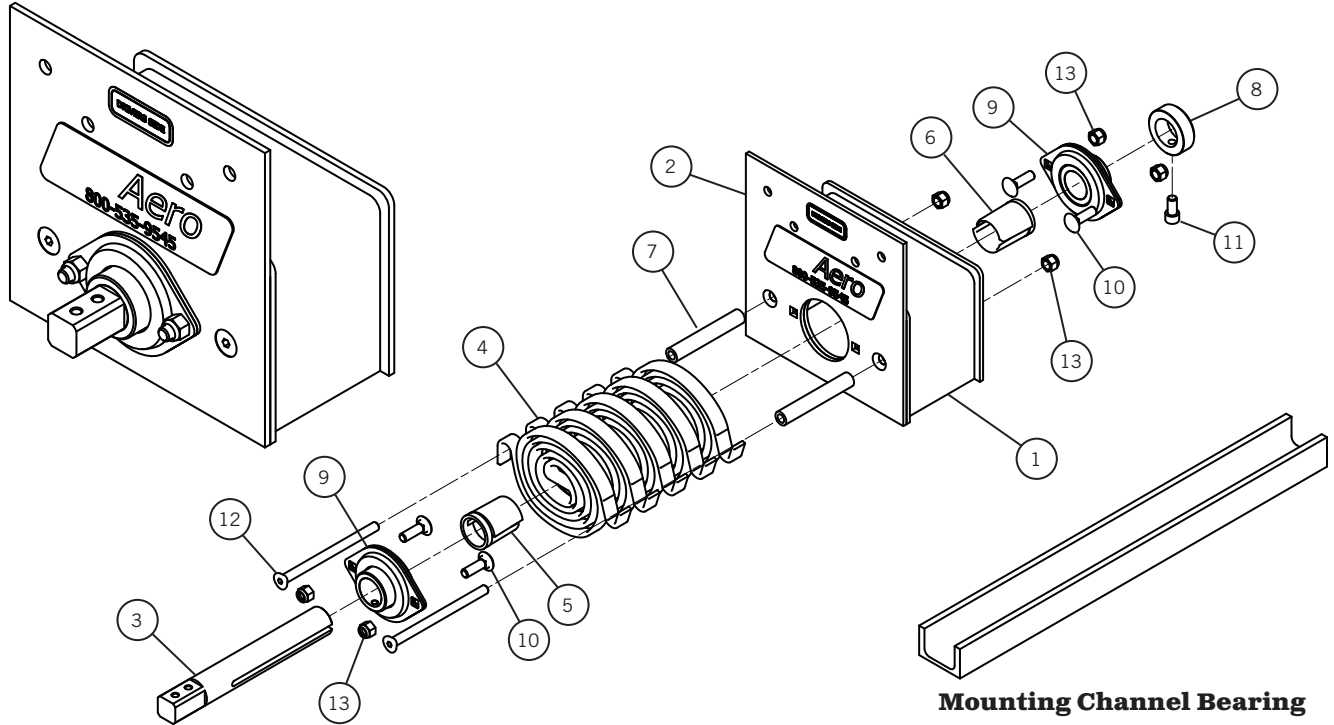
Flange Mounted Powerpack Spring

Model 555 - (Aluminum Arms)

0311-960430 22' - 40' System Length Spring Kit PP Housing

0311-962146 PowerPack Housing W/Springs D.S.

0311-962147 PowerPack Housing W/Springs P.S.



Mounting Channel Bearing

0311-861713

Quantity - 2

0311-962576 Hardware Pack E/C (NOT Shown)

| No. | Part No. | Description | Qty |
|-----|-------------|-------------------------|-----|
| 14 | 0810-650542 | 3/8-16 x 1 1/4 Hex Bolt | 8 |
| 15 | 0820-680620 | 3/8 Flat Washer | 16 |
| 16 | 0815-660660 | 3/8-16 Nylon Hex Nut | 8 |

0311-962577 Hardware Pack E/C (NOT Shown)

| No. | Part No. | Description | Qty |
|-----|-------------|--------------------------|-----|
| 17 | 0810-650510 | 5/16 x 1 Hex Bolt Type F | 4 |
| 18 | 0835-691616 | 1/4 x 1 5/8 Spring Pin | 4 |

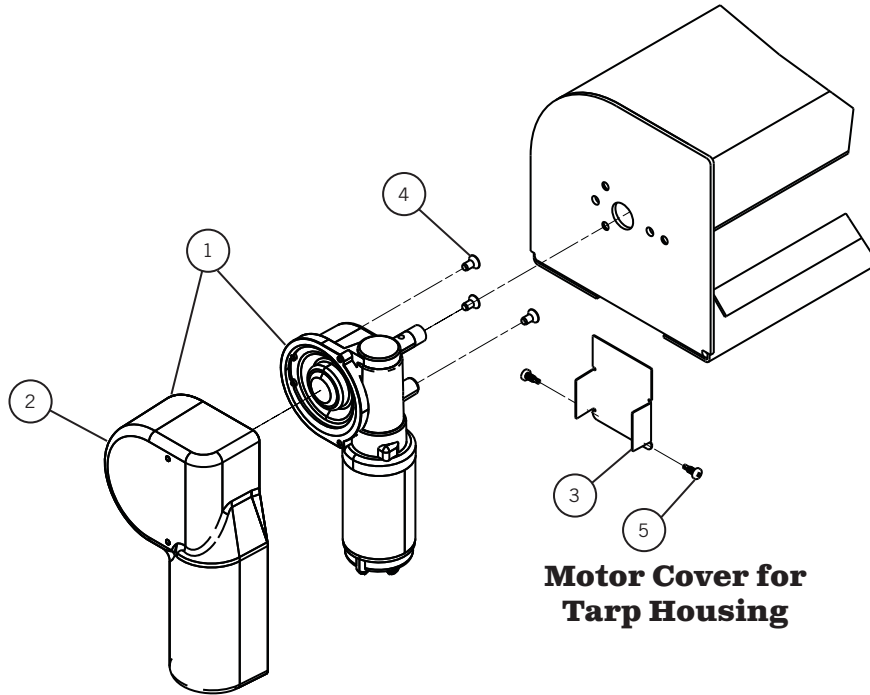
| No. | Part No. | Description | Qty |
|-----|---------------|------------------------------|-----|
| 1 | 0311-960429 | Housing Weldment | 1 |
| 2 | 0311-860258 | Front Mounting Plate | 1 |
| 3 | 0311-860261 | Spring Shaft | 1 |
| 4 | 0715-619550 | Spring Powerpack Spiral | 5 |
| 5 | 0311-861285-0 | Plastic Insert "A"; Black | 1 |
| 6 | 0311-861286-0 | Plastic Insert "B"; White | 1 |
| 7 | 0311-860260 | Spring Stop | 2 |
| 8 | 0785-690335 | Collar Shaft 1 1/4" I.D. | 1 |
| 9 | 0710-602115 | Bearing 1 1/4 Bore | 2 |
| 10 | 0810-650565 | 3/8-16 x 1 1/4 Carriage Bolt | 4 |
| 11 | 0825-617250 | 3/8-16 x 3/4 SHCS | 4 |
| 12 | 0825-650901 | 3/8-16 x 5 1/2 FHSCS | 2 |
| 13 | 0815-660660 | 3/8-16 Nylon Hex Nut | 6 |
| 14 | 0311-861713 | Mounting Channel Bearing | 2 |



Easy Cover[®] Model 555

Parts List

Motor



**Motor Cover for
Tarp Housing**

| No. | Part No. | Description |
|-----|-------------|-------------------------------|
| 1 | 0755-623457 | Motor RA/SWB with Cover 12V |
| 2 | 0311-860655 | Motor Cover |
| 3 | 0311-860285 | Plate Filler |
| 4 | 0825-650885 | 5/16-18 x 5/8 FHCS |
| 5 | 0825-670835 | #10 x 1 Selfdrilling Pan Head |

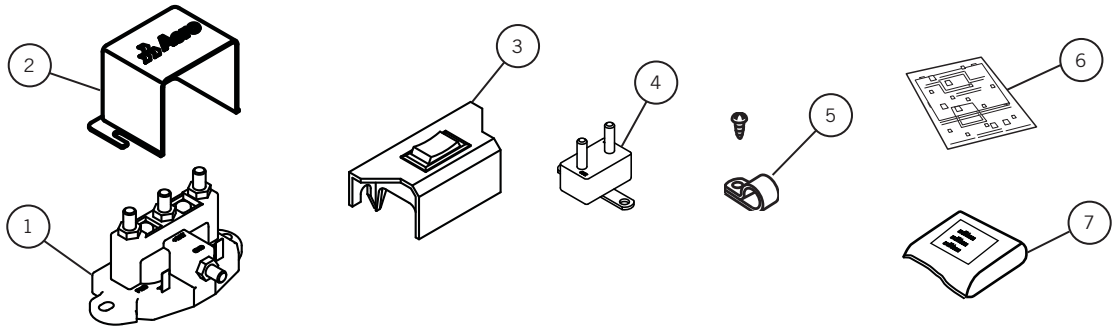
Easy Cover[®] Model 555

Parts List

RDCC Kit 12 V 50 Amp Rocker

0755-962131 RDCC Kit 12 V 50 Amp Rocker

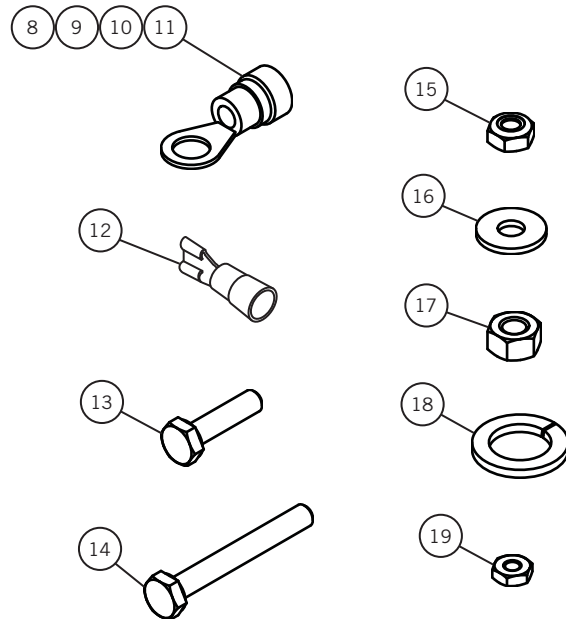
Wire NOT included in Kits



| No. | Part No. | Description |
|-----|-------------|--------------------------------|
| 1 | 0755-623560 | Reversing DC Contactor |
| 2 | 0755-623559 | DC Contactor Cover |
| 3 | 0755-962102 | Switch Rocker for DC Contactor |
| 4 | 0755-623504 | Circuit Breaker 50 Amp |
| 5 | 0850-603757 | Clamp Metal Loom Plastic |
| 6 | 0930-861642 | Wiring diagram RDCC |
| 7 | 0755-962111 | RDCC Elec Hwd Kit-Rocker |

0755-962111 Hardware Kit

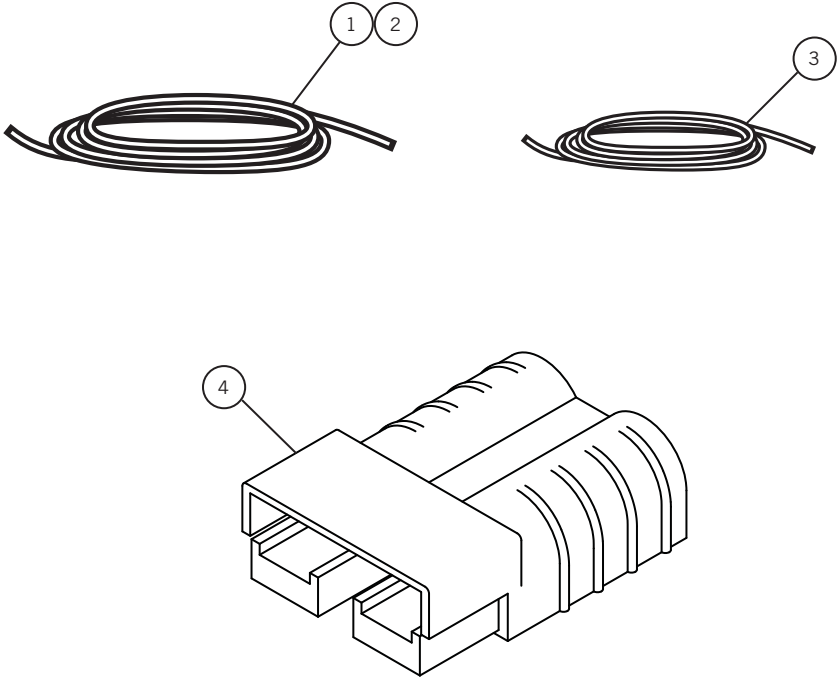
| No. | Description | Qty |
|-----|----------------------------|-----|
| 8 | Wire End #6 x 3/8 Ring | 6 |
| 9 | Wire End #6 x #10 Ring | 4 |
| 10 | Wire End #6 x 1/4 Ring | 2 |
| 11 | Wire End #14 x 3/8 Ring | 1 |
| 12 | Wire End #14 x 1/4 Push On | 6 |
| 13 | 1/4-20 x 1 Hex Bolt | 2 |
| 14 | 1/4-20 x 2 Hex Bolt | 2 |
| 15 | 1/4-20 Nylon Hex Jam Nut | 4 |
| 16 | 1/4 Flat Washer | 8 |
| 17 | 5/16-24 Hex Nut | 4 |
| 18 | 5/16 Lock Washer | 4 |
| 19 | #10-32 Nylon Hex Nut | 4 |



Easy Cover® Model 555

Parts List

Wire and Plug



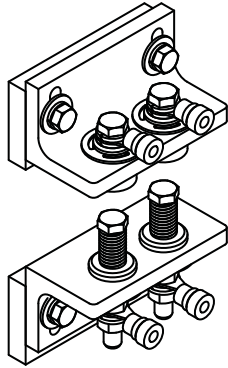
| No. | Part No. | Description |
|-----|-------------|----------------------------|
| 1 | 0755-626552 | Wire #6 Duplex - 30 Foot |
| 2 | 0755-626541 | Wire #6 Duplex - 110 Foot |
| 3 | 0755-626588 | Wire #14 Gray |
| 4 | 0755-626450 | Plug Quick Disconnect Male |

Easy Cover® Model 555

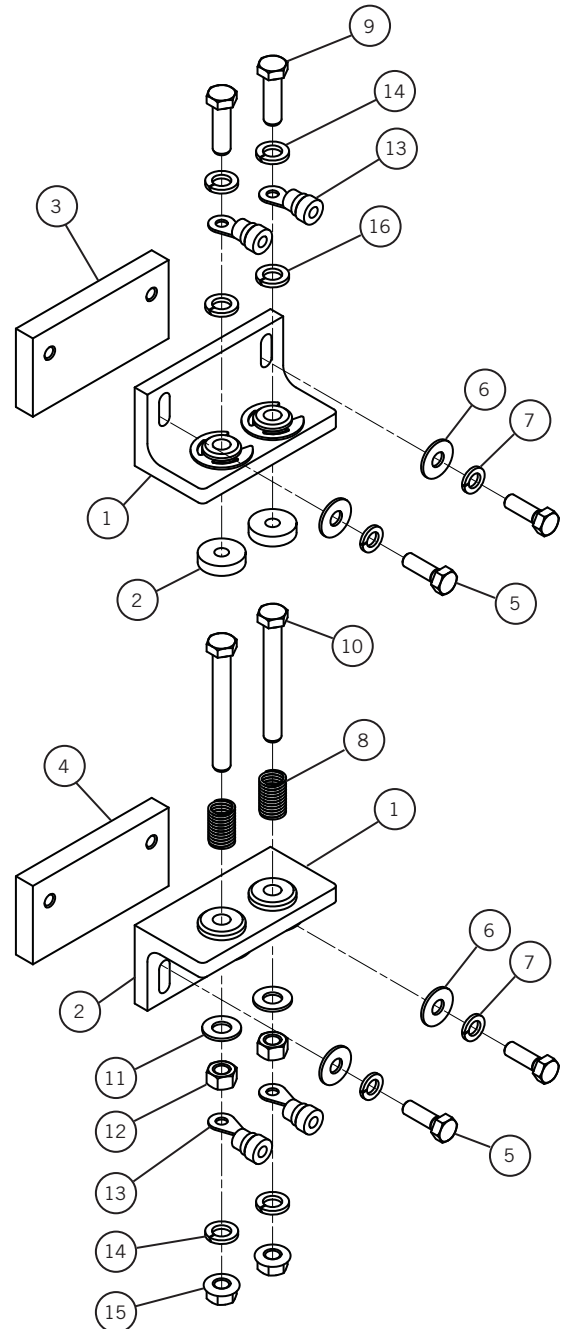
Parts List

Wireless Connection V2 Kit

0755-960308 Wireless Connection V2 Kit Combo



| No. | Part No. | Description | QTY |
|-----|---------------|--------------------------------|-----|
| 1 | 0755-960301 | Bracket Assembly WC V2 | 2 |
| | 0755-960302 | Top Contact Kit | |
| No. | Part No. | Description | QTY |
| 2 | 0755-860301 | Top Contact WCV2 | 2 |
| | 0755-960305 | Mounting Plate Kit Combo A&S | |
| No. | Part No. | Description | QTY |
| 3 | 0755-860305 | Mounting Plate - Aluminum | 1 |
| 4 | 0755-860304 | Mounting Plate - Steel | 1 |
| 5 | 0810-650506 | 5/16-18 x 1 Hex Bolt | 4 |
| 6 | 0820-680510 | 5/16 Flat Washer | 4 |
| 7 | 0820-680520 | 5/16 Lock Washer | 4 |
| | 0755-960310 | Wireless Contact Hardware Kit | |
| No. | Part No. | Description | QTY |
| 8 | 0715-619803 | Spring .480" OD x 1.25" F.L.A. | 2 |
| 9 | 0810-650146 | 3/8-16 x 1 1/4 Hex Bolt | 2 |
| 10 | 0810-650145 | 3/8-16 x 3 Brass HHMB | 2 |
| 11 | 0820-680426-S | 3/8 Flat Washer SAE S.S. | 2 |
| 12 | 0815-660640-S | 3/8-16 Hex Nut S.S. | 2 |
| 13 | 0755-626503 | #6 x 3/8 Ring Wire End | 4 |
| 14 | 0820-680208 | 3/8 Lock Washer Bronze | 4 |
| 15 | 0815-660638 | 3/8-16 HWH Nut Bronze | 2 |
| 16 | 0820-680610-S | 3/8 Lock Washer S.S. | 2 |



Easy Cover® Model 555



INDIANAPOLIS, IN
Indianapolis, IN 46241
800-535-9545
FAX: 317-244-1311

OMAHA, NE
Omaha, NE 68137
800-535-9545
FAX: 402-895-6129

STREETSBORO, OH
Streetsboro, OH 44241
800-535-8552
FAX: 330-626-3277

© 2010 Aero Industries, Inc. Easy Cover® and the Claw™ are trademarks of Aero Industries, Inc. The Claw Patent Pending.

Covered by one or more of the following patents in the U.S.

US Patents: 7275780, 7147264B2, 6942274, 6786735, 6712419, 6637800, 6578897, 6575519, 6575518, 6536836, 6457622, 6367862, 6338521, 6318790, 6234562, 5174625, 5129698, and Patents Pending

Canadian and Foreign Patents: 2002300170, 2394047, 2526379, 2403478, 2471029, 2403484, 2074607, 2073714, EP 1384613A1 and Patents Pending