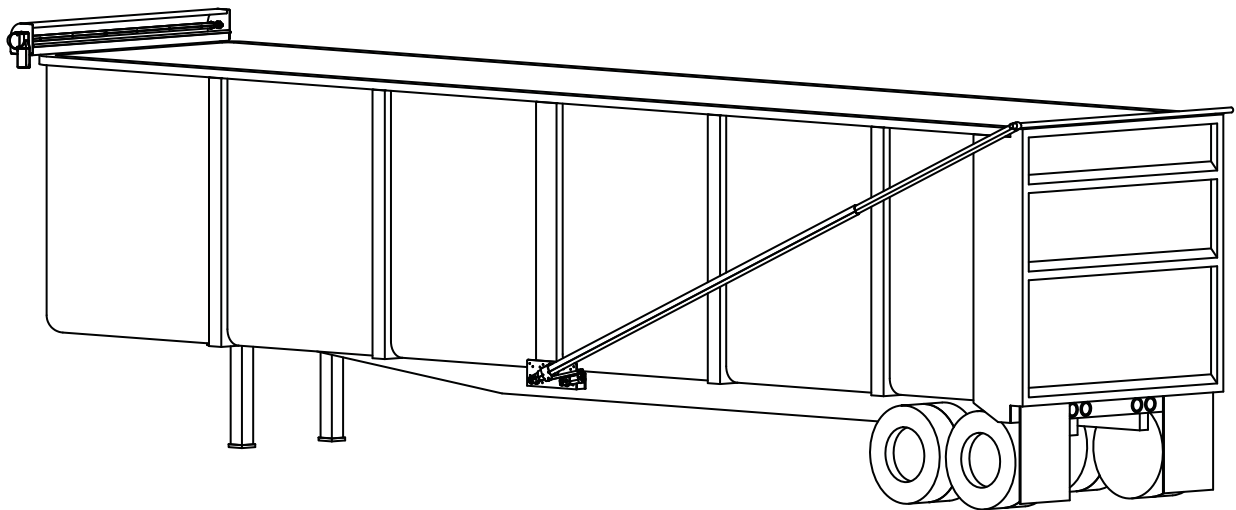


## Model 595 10 Spring Flange Mount



# **Easy Cover**<sup>®</sup>

---

## Installation Instructions

**Attention Dealers:** Please give this owners manual to the customer when the product is delivered.

Call 800-535-9545 | [www.aeroindustries.com](http://www.aeroindustries.com)

Indianapolis, IN | Omaha, NE | Streetsboro OH

**Installation Directory**

<b>Item</b>	<b>Step</b>	<b>Page</b>
Tools Required		
Installing Tarp Housing with Trailer Mounting Brackets	1	4
Installing Electric Motor (Tarp Housing)	2	5-6
Install Interior Cab Rocker Switch for Semi-trailer Truck	3	7
Installing 10 Spring Flange Mounted Assembly	4	8
Instaling the Swing Arm on 10 Spring	5	9-10
Installing Upper Swing Arms and Cross Arm	6	11-12
Attach Tarp to Roll-up Bar		
Installing Tarp to Roll-up Bar, Roll Under (Standard)	7a	13
Installing Tarp to Roll-up Bar, Roll Over (Optional)	7b	13
Accessories		
Installing Body Guard	8	14
How to Operate and Maintain Easy Cover		15

<b>Tools Required for Installation</b>
Marker or Felt Pen
Tape Measure
Black Electrical Tape
Awl
Hammer
1 1/8" hole saw
Drill Bits: .257" (F drill), 9/32", .316" (O drill), 13/32", 17/32"
Sockets: 7/16", 9/16"
Open End or Box Wrenches: 7/16", 9/16", 3/4"
Vice Grip Pliers (2 pair)
Electric or Air Drill

## Safety Messages

- ⚠ **WARNING:** Read this entire manual and all instructions before installation, operation, maintenance or repairs this product. Refer to the website for an explanation of safety labels and symbols.
- ⚠ **WARNING:** Be sure that your working platform is secure. Use OSHA approved ladders or scaffolding to work above ground level.
- ⚠ **WARNING:** Always wear safety glasses during installation and operation.
- ⚠ **WARNING:** The Easy Cover arms move with the help of springs which must be properly released before any repairs. All spring tension must be properly released before any repairs. On website see "Properly Releasing Spring Tension" instruction before any repairs.
- ⚠ **WARNING:** Springs and arms are under extreme tension. Broken or damaged components could cause death or serious injury. Follow instruction on releasing spring tension.
- ⚠ **WARNING:** Never stand near damaged arms/tarp. Always check to make sure that no one is at the rear of the box or in the immediate area while repairing. Arms could come loose allowing the arm to rotate to the rear with tremendous force.
- ⚠ **WARNING:** DO NOT operate when damaged. If the arms are damaged or fail to rotate freely under normal operation for any reason, discontinue use until repairs can be made.
- ⚠ **WARNING:** Routinely inspect tarp and arms for wear and/or damage. Replace all worn or broken parts immediately.
- ⚠ **WARNING:** Keep all clothing clear of moving parts.
- ⚠ **WARNING:** Check for overhead power lines. Always check for overhead obstructions before covering and uncovering. DO NOT operate under low hung power lines.
- ⚠ **CAUTION:** Tarp MUST be fully covered or uncovered before driving. If it is not, could result in being over height and risk of hitting overhead obstructions.
- ⚠ **CAUTION:** DO NOT stand in the path of or on the arms, or injury could occur.

MAINTENANCE INSTRUCTIONS	⚠ WARNING	 1-800-535-9545	⚠ CAUTION	OPERATION INSTRUCTIONS
<ul style="list-style-type: none"> <li>* Refer to Maintenance sheet or website.</li> <li>* Repairs must ONLY be made after proper instruction.</li> <li>* Spring tension must be properly released before repairs.</li> <li>* Replace damaged or broken parts.</li> <li>* Keep path of arms clear.</li> </ul>	<p>Springs and arms are under extreme tension. Broken or damaged components could cause death or serious injury.</p> <div style="display: flex; justify-content: space-around; align-items: center;"> </div> <p>DO NOT operate when damaged. NEVER stand near damaged arms/tarp. Check for overhead power lines.</p>	 1-800-535-9545	<p>DO NOT stand in the path of or on the arms or injury could occur.</p> <p>Tarp MUST be fully covered or uncovered before driving.</p> <div style="display: flex; justify-content: space-around; align-items: center;"> </div>	<ul style="list-style-type: none"> <li>* Refer to Operations sheet or website.</li> <li>* Face vehicle into the wind.</li> <li>* Only drive with tarp in fully covered or uncovered position.</li> <li>* Routinely inspect tarp and arms and replace if damaged.</li> </ul>
www.easycovemaintenance.com	Label part# 0920-039001		www.easycoveroperation.com	

## Explanation of Signal Words

- ⚠ **WARNING:** Indicates a hazardous situation which, if not avoided, could result in death or serious injury.
- ⚠ **CAUTION:** Indicates a hazardous situation which, if not avoided, could result in minor or moderate injury.
- NOTICE:** Risk of product or vehicle being damaged.

### Step 1

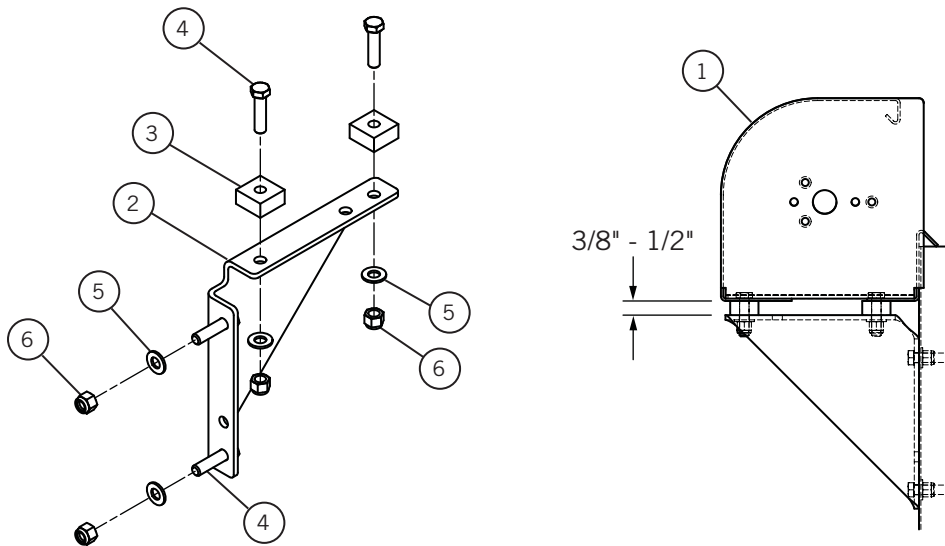
#### Installing Tarp Housing with Trailer Mounting Bracket

**NOTE:** Use hardware pack #0311-960549

Index	Description	Qty	Index	Description	Qty
1	Tarp Housing	1	4	1/2-13 x 2 Hex Bolt GR5	8
2	Mounting Bracket Trailer	2	5	1/2 Flat Washer	8
3	Rubber Bushing	4	6	1/2 Nylon Hex Nut	8

**NOTE:** Check front of trailer for best location of mounting brackets.

- 1) Turn tarp housing (1) upside down and position mounting bracket trailer (2) 12" in from each end and flush with the back of the tarp housing (1) (not the end plates). Keeping brackets straight and parallel with end plates, mark holes through brackets
- 2) Drill marked holes using 17/32" drill bit.
- 3) Attach mounting brackets with rubber bushings (3), 1/2-13 x 2 hex bolt (4), 1/2 flat washer (5), and 1/2 - 13 nylon hex nut (6). Tighten until bushings compress to approximately 3/8" to 1/2".
- 4) Hold housing up to trailer firmly, center on trailer and trace holes in mounting brackets. Drill marked holes using 17/32" drill bit.
- 5) Attach with 1/2-13 x 2 hex bolt (4), 1/2 flat washer (5), and 1/2-13 nylon hex nut (6).



# Easy Cover<sup>®</sup>

## Installation Instructions

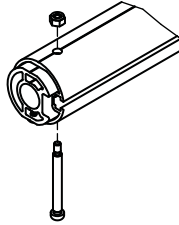
### Step 2

#### Installing Electric Motor (Tarp Housing)

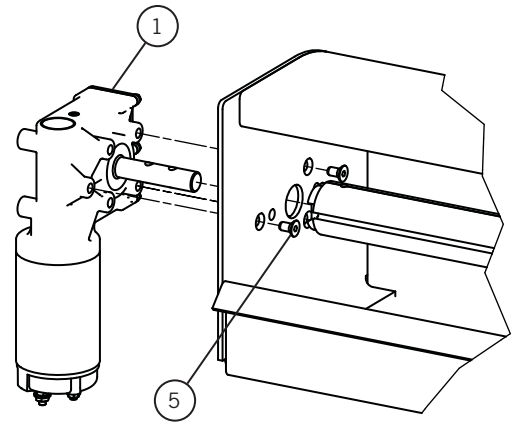
**NOTE:** Use hardware pack #0311-963317

Index	Description	Qty	Index	Description	Qty
1	MOTOR AND COVER	1	6	CLAMP METAL LOOM PLASTIC	10
2	PLATE, MTR COVER	2	7	WIRE END #6 X 1/4 RING	2
3	SCREW M4 X 2.0 MM PHILLIP	2	8	#6 DUPLEX WIRE	VARIES
4	SCREW #10 X 1 SELF DRILLING	2	9	PLUG; Q/D ASSY; FEMALE	1
5	5/16-18 x 5/8 FHCS	3			

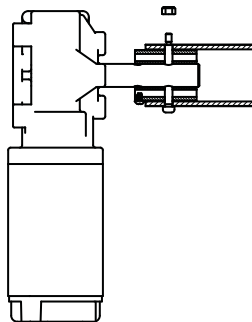
- 1) Remove Shoulder bolt and nut from the end of the roll-up bar.



- 2) Align motor shaft with end of roll-up bar. Attach motor (1) to the tarp housing with three 5/16-18 x 5/8 FHCS (5).



- 3) Secure the motor shaft to the roll-up bar with the nut and bolt removed in step 1.

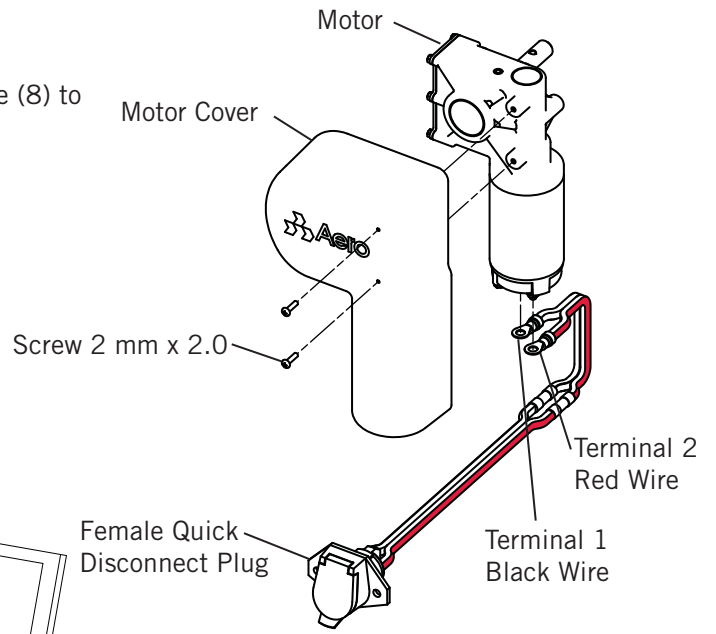
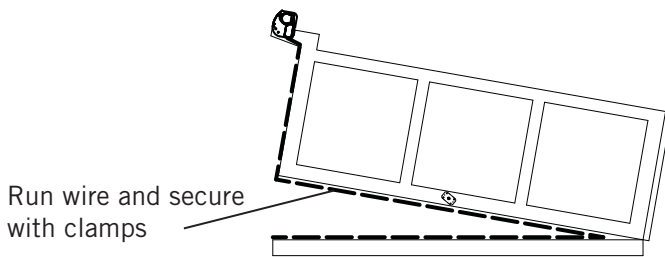


# Easy Cover<sup>®</sup>

## Installation Instructions

4) Using Wire End #6 x 1/4 Ring (7) attach #6 Wire (8) to Motor (1) as shown.

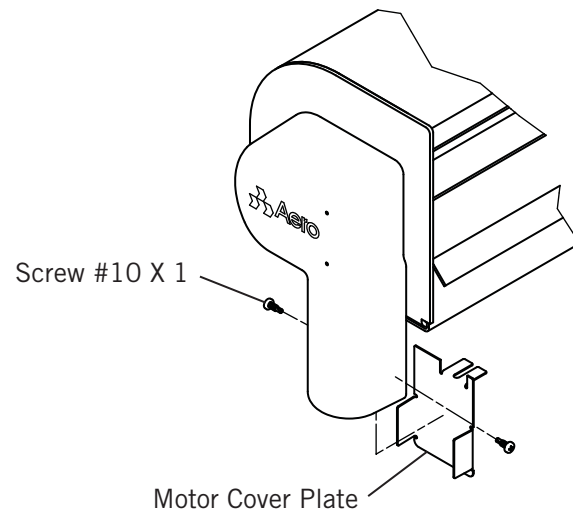
5) Run #6 Wire (8) to pivot point and back to front and secure with Clamps (6).



6) Attach the Female Quick Disconnect Plug (9) to the end of the #6 Wire (8).

7) With screws provide with the motor attach the cover to the motor.

8) Attach the Motor Cover Plate (2) with two Screw #10 x 1 Self-drilling Pan Head (4).



# Easy Cover<sup>®</sup>

## Installation Instructions

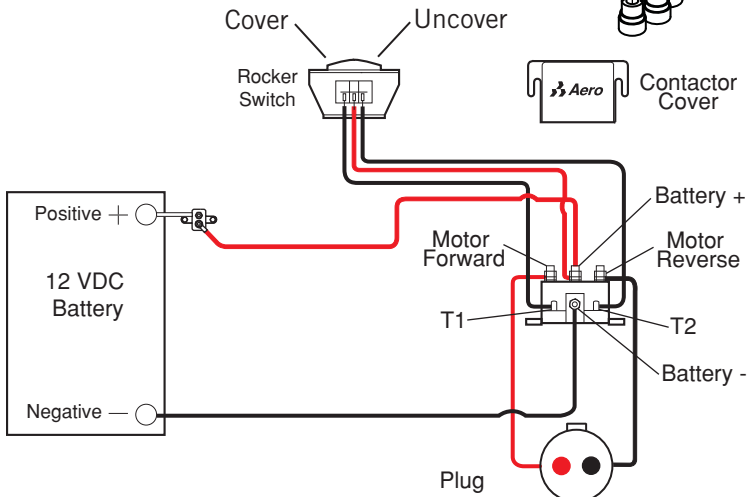
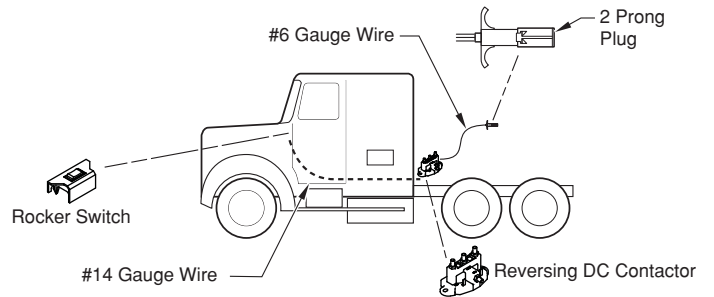
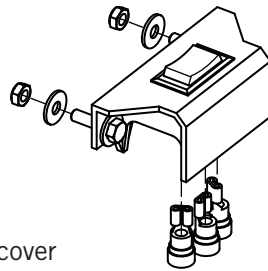
### Step 3

#### Install Interior Cab Rocker Switch for Semi-trailer Truck

**NOTE:** Use hardware pack #0311-963318

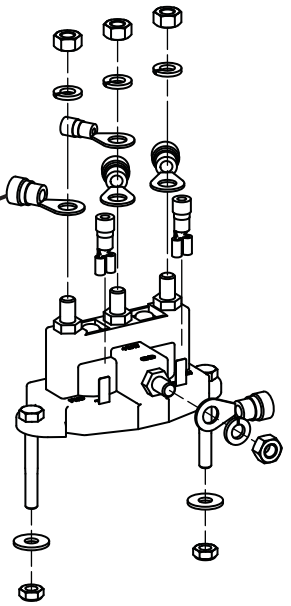
Locate Operation/Maintenance Sheet and keep near switch.

- 1) Find a convenient place on the driver's side under the dashboard to mount the rocker switch with 1/4-20 x 1" hex bolts



- 2) Mount reversing contactor outside of cab near back of cab with 1/4-20 x 2" hex bolts.

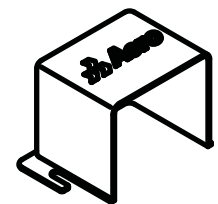
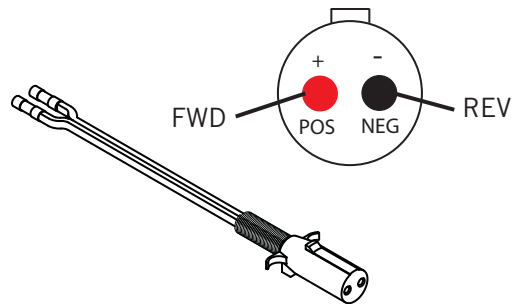
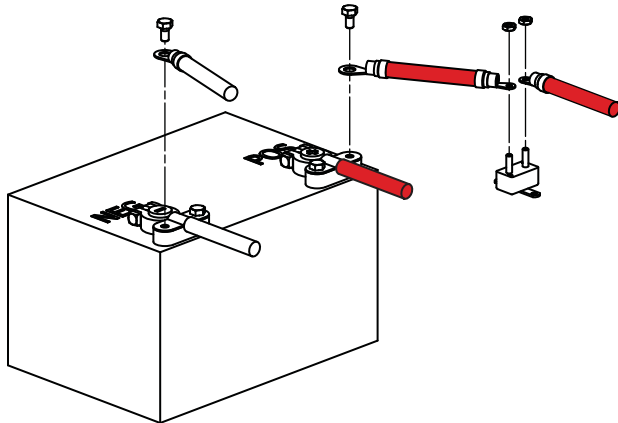
#6 Red wire to FWD



- 3) Run #14 GA gray wire from switch to reversing contactor. Run #6 wire from battery to reversing contactor. Secure all wire with clamps.
- 4) Connect breaker to battery and secure with zip ties.

- 5) Connect receptacle to reversing contactor. Make sure to have enough wire to be able to plug into trailer.

- 6) Place cover on reversing contactor.



- 7) Test switch to see if system operates correct direction. If not reverse the wires on the motor and retest.

# Easy Cover®

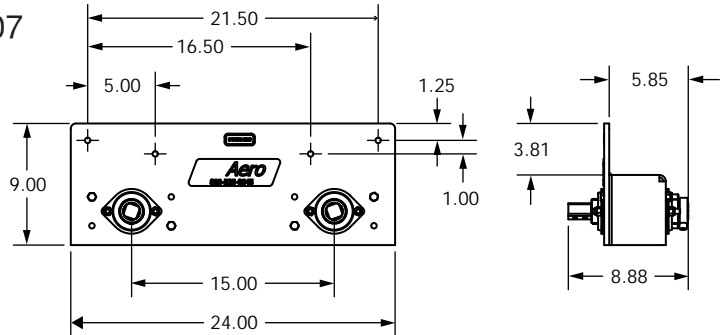
## Installation Instructions

### Step 4

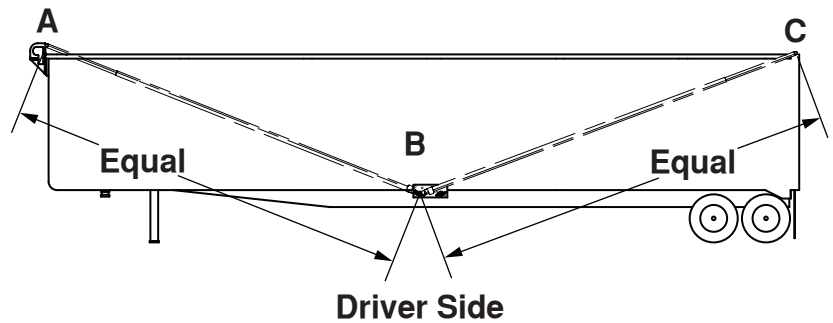
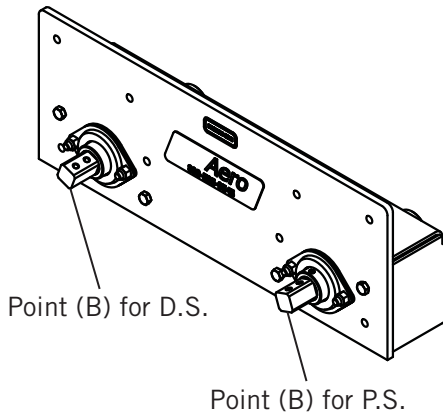
#### Installing 10 Spring Flange Mounted Assembly

**NOTE:** Use hardware pack #0311-960107

Index	Description	Qty
1	10 Spring Flange Mount (driver side)	1
2	10 Spring Flange Mount (passenger side)	1
3	3/8-16 x 1-1/4 Hex Bolt	8
4	3/8 Flat Washer	16
5	3/8-16 Nylon Hex Nut	8

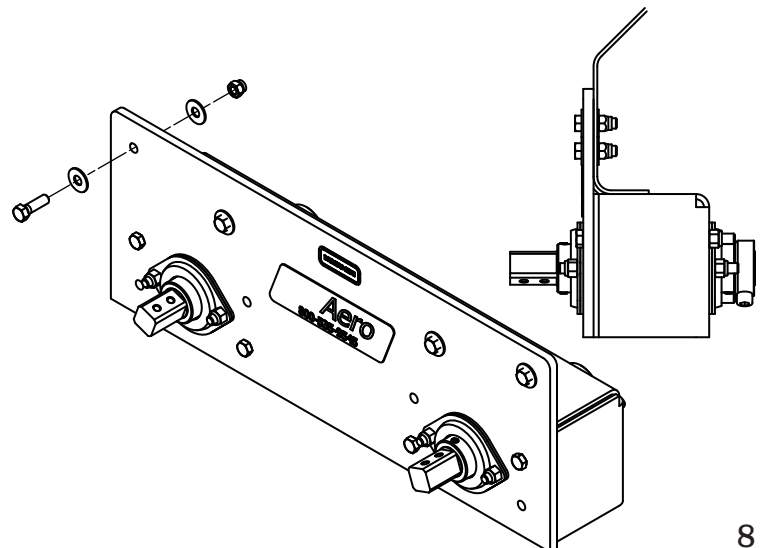


- 1) Locate the pivot point (B) for the arm assembly. The point (A) is at the back of the tarp housing and point (C) is where the cross arm rests on the tailgate. The distance from (A) to (B) must be the same length as from (C) to (B).



**NOTE:** The 10 spring flange mount assembly can be either bolted or welded to the box or bottom rail. Aero Industries recommends that the plate be bolted.

- 2) Position the driver's side 10 spring flange mount assembly (1) so that the shaft towards the front of the box is aligned with point marked on the driver's side as (B). Position the spring up against the bottom rail and clamp the spring assembly into position.
- 3) Drill four 13/32" holes using the mounting plate as a guide.
- 4) Bolt the 10 spring flange mount assembly to the box or rail with 3/8-16 x 1-1/4 hex bolts (3), 3/8 flat washers (4), and 3/8-16 nylon hex nut (5).
- 5) Repeat Steps 4 - 6 for passenger's side.





# Easy Cover<sup>®</sup>

## Installation Instructions

### Step 5

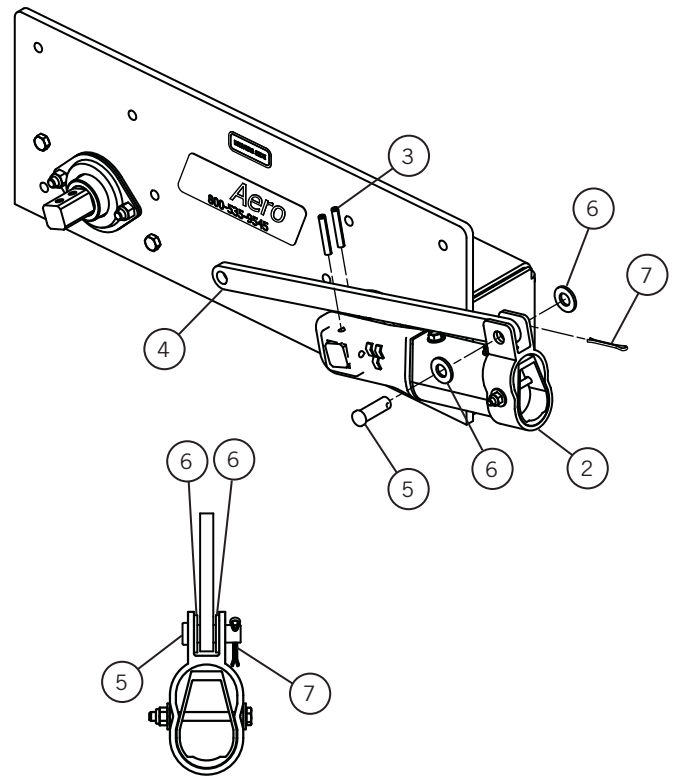
#### Installing the Swing Arm on 10 Spring

**NOTE:** Use hardware pack #0311-960107

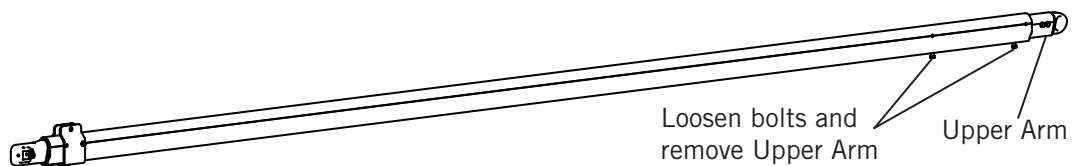
Index	Description	Qty	Index	Description	Qty
1	Swing Arm Assembly	2	5	Clevis Pin 1/2 x 1-1/2	4
2	Helper Arm Assembly	2	6	1/2 Flat Washer	12
3	1/4" Spring Pins	8	7	Cotter Pin 1/8 x 1-1/2	4
4	Linkage 15.50	2			

1) Place helper arm (2) onto rear shaft so that it is pointing towards the rear of the trailer with the bracket on top and secure with 1/4" spring pins (3).

2) Attach linkage 15.50 (4) to bracket on helper arm assembly with clevis pin 1/2 x 1-1/2 (5), two 1/2 flat washers (6), and cotter pin 1/8 x 1-1/2 (7). The two flat washers should be on the inside of the bracket and one on either side of the linkage to keep it centered in bracket.



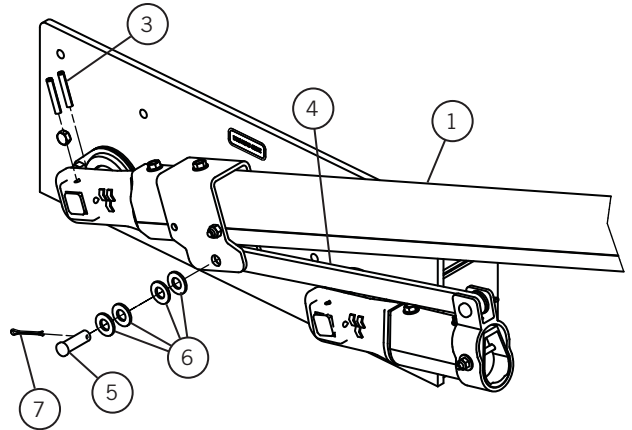
3) Loosen the two bolts and remove the upper swing arm.



# Easy Cover®

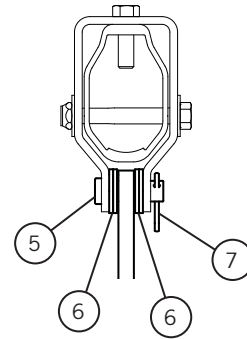
## Installation Instructions

- 4) Place an end fitting of swing arm assembly (1) on the front shaft so it is pointing towards the rear of the trailer with the bracket on the bottom and secure with 1/4" spring pins (3).



- 7) Attach linkage 15.50 (4) to bracket on swing arm assembly with clevis pin 1/2 x 1 1/2 (5), four 1/2 flat washers (6), and cotter pin 1/8 x 1 1/2 (7). The two flat washers should be on the inside of the bracket and two on either side of the linkage to keep it centered in bracket.

- 8) Repeat for opposite side.



**NOTE:** On rare occasions, the spring assembly may not have enough tension to pull the tarp to the rear of the truck. Test the completed tarp system and if the tension is not sufficient, remove spring pins, pull arm and end fitting off of shaft and preload the spring assemblies by turning the shaft 1/4 turn counter-clockwise and reattaching the swing arms.

**WARNING:** Before removing swing arms, release all tension on springs by making sure arm is rotated clockwise as far as it can.

### Step 6

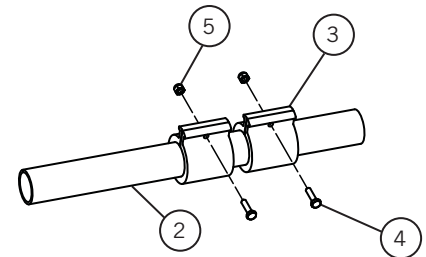
Installing Upper Swing Arms and Cross Arm (Over 40')

**NOTE:** Use hardware pack #0311-960107

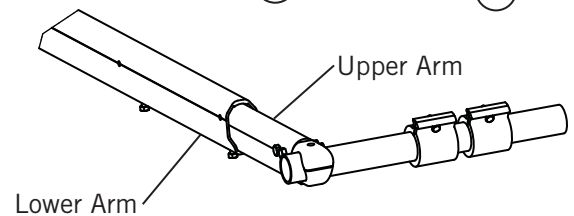
Index	Description	Qty	Index	Description	Qty
1	Tarp	1	6	3/8-16 x 2 1/2 Hex Bolt	4
2	Cross Arm	1	7	3/8-16 x 3 Hex Bolt GR5	2
3	Rubber Bumper	4	8	3/8-16 Nylon Nut	4
4	1/4-20 x 1 Hex Bolt	4	9	#14 x 3/4 Self Drilling Pan	2
5	1/4-20 Nylon Hex Nut	6	10	Plug End	2

- 1) Roll out tarp (1) in bed of truck with the pocket at the rear of the truck.
- 2) Insert cross arm (2) through the pocket in the tarp (1) and center. Place cross arm on bed near the tail gate.

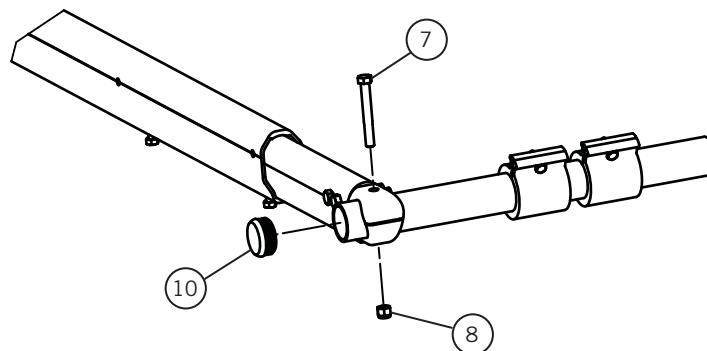
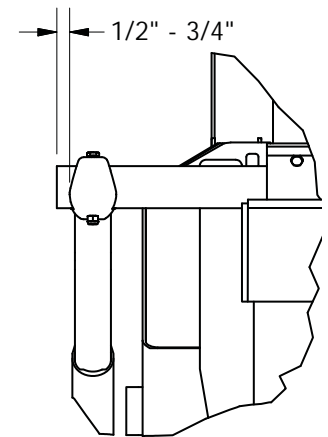
- 3) Slide 2 rubber bumpers (3) onto each side of the cross arm (2).
- 4) Insert 1/4-20 x 1 hex bolt (4) into each rubber bumper and secure with 1/4-20 Nylon hex jam nut (5).
- 5) Secure cross arm to tailgate to prevent tipping for next step.



- 6) Slide upper swing arm into lower swing arm. Lift swing arm up to and slide onto cross arm (2) into arm casting. Lightly tighten the two 5/16-18 x 3/4 bolts that hold the upper swing arm.
- 7) Repeat on opposite side.



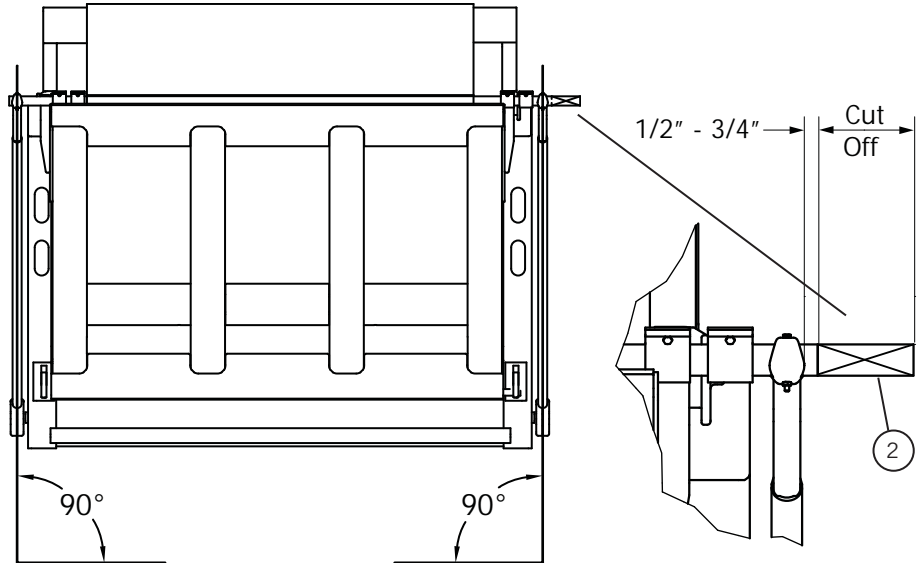
- 8) Adjust cross tube (2) on one side to extend 1/2"-3/4" beyond arm casting.
- 9) With the cross arm (2) resting on the tail gate drill a 3/8" hole through the tube using the hole in the arm casting as a guide. Secure with 3/8-16 x 3" hex bolt (7) and 3/8-16 nylon hex nut (8).
- 10) Insert plug (10) into end of cross arm.



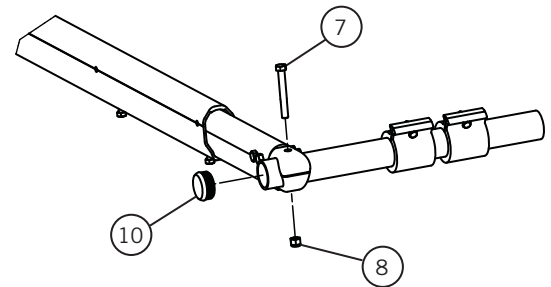
# Easy Cover®

## Installation Instructions

- 11) Position both swing arms to be parallel with the bed and 90 degrees to the ground.
- 12) Cut excess cross arm (2) which extends 1/2"-3/4" beyond arm casting (4).

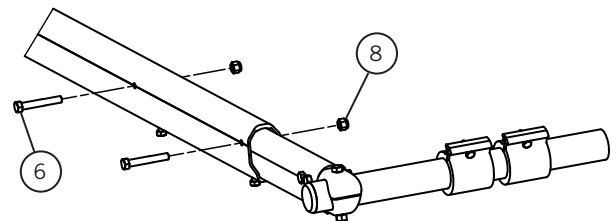


- 13) Drill a 3/8" hole through the tube using the hole in the arm casting as a guide. Secure with 3/8-16 x 3" hex bolt (7) and 3/8-16 nylon hex nut (8).
- 14) Insert plug (10) into end of cross arm.



- 15) Center and secure tarp (1) to cross arm (2) with 2 #14 x 3/4 self drilling pan head screws (9).
- 16) Loosen the two bolts that hold the upper swing arm on both sides and adjust the cross arm so that it is on top of the tailgate and tighten bolts.
- 17) Reposition rubber bumpers (3) to sit on tailgate and tighten bolts.

- 18) Using the two holes in the lower arms as a guide, drill through upper swing arm with a .377" (V drill) on each arm.
- 19) Secure arms with 5/16-18 x 2 1/2 hex bolts (7) and 5/16-18 nylon hex nuts (8).



# Easy Cover<sup>®</sup>

## Installation Instructions

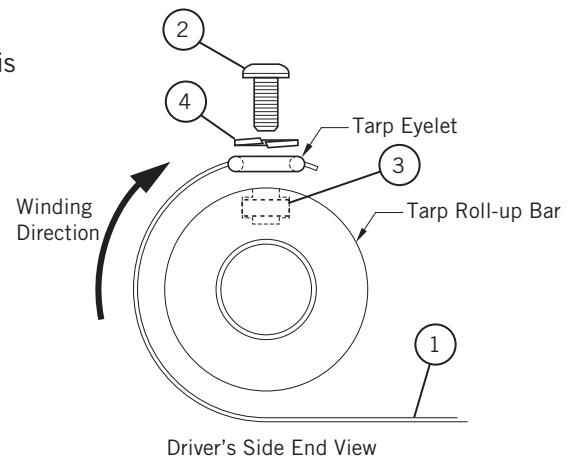
### Step 7a

Installing the Tarp to the Roll Up Bar, Roll Under (Standard)

**NOTE:** Hardware taped to roll bar

Index	Description	Qty	Index	Description	Qty
1	Tarp	1	3	1/4 Square Nut	6
2	1/4-20 x 1/2 Pan Head	6	4	1/4 Split Lock Washer	6

- 1) See Figure 56. Pull the loose end of the tarp (1) under the roll up bar, winding from the underside. Make sure the tarp is centered from side to side.
- 2) Mark the tarp roll up bar for fastener placement using the grommets in the tarp as a guide.
- 3) Secure tarp (1) with 1/4-20 pan head Phillips (2), 1/4-20 square nuts (3), and 1/4 split lock washers (4).



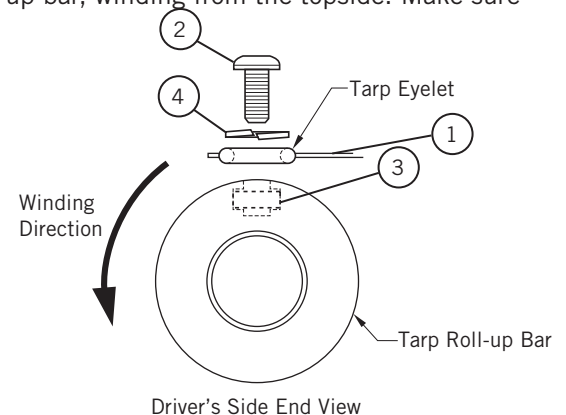
### Step 7b

Installing the Tarp to Roll Up Bar, Roll Over (Optional)

**NOTE:** Hardware taped to roll bar

Index	Description	Qty	Index	Description	Qty
1	Tarp	1	3	1/4 Square Nut	6
2	1/4 Pan Head	6	4	1/4 Split Lock Washer	6

- 1) See Figure 57. Pull the loose end of the tarp (1) over the roll up bar, winding from the topside. Make sure the tarp is centered from side to side.
- 2) Mark the tarp roll up bar for fastener placement using the grommets in the tarp as a guide.
- 3) Secure tarp (1) with 1/4-20 pan head Phillips (2), 1/4-20 square nuts (3), and 1/4 split lock washers (4).



# Easy Cover<sup>®</sup>

## Installation Instructions

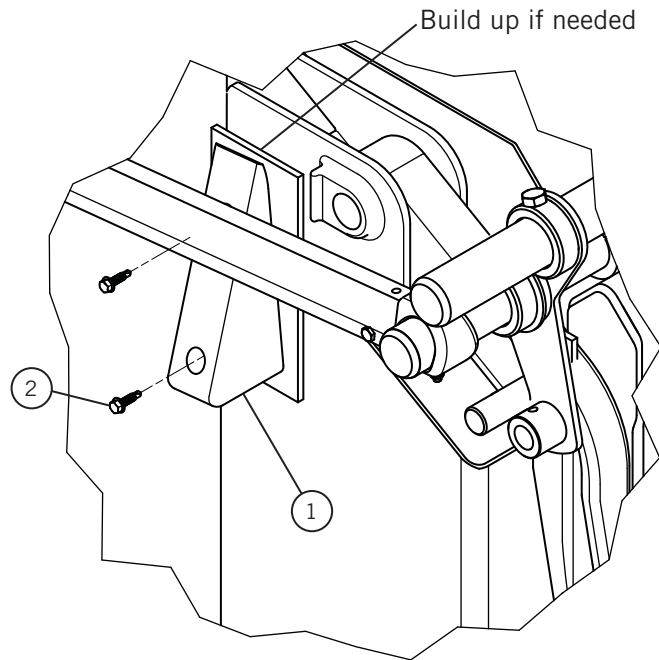
### Step 8

#### Installing Body Guard

**NOTE:** Body Guard Kit #0311-960212 (requires 2 kits per truck)

Index	Description	Qty
1	Body Guard Plastic	2
2	#14 x 1 1/2 HWH TEK	4

- 1) See **Figure 58**. Find a surface to mount the body guard (1), preferably close to the top of the bed. It may be necessary to add a plate or build up an area so that the swing arms will hit the body guard. Make sure the body guard is perpendicular to the swing arms and are not too tight to interfere with the operation of the tarp.
- 2) Once the body guards (1) location is found secure them with #14 x 1 1/2 HWH TEK (2).
- 3) Repeat for opposite side.



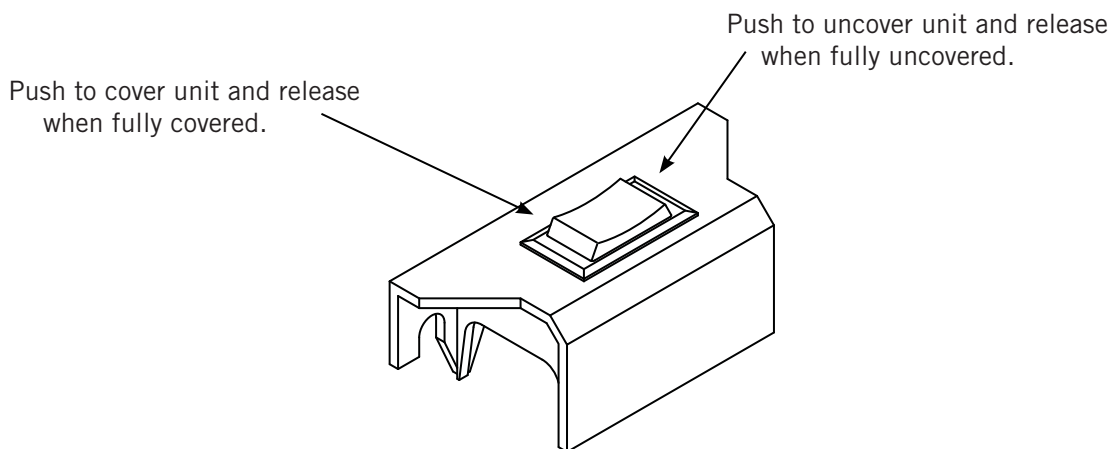
## **Easy Cover<sup>®</sup> Electric Model**

### **Operation Instructions**

**NOTICE** Face vehicle into the wind during operation. Wind may cause tarp to sail and damage system.

**NOTICE** NOT releasing the switch when in the covered or uncovered position is reached may cause the motor to burn out.

Direction switch operates depends on how it is wired.



### **Maintenance Recommendations**

Aero Industries recommends a weekly inspection of the following items:

**! IMPORTANT:** Replace all worn or broken parts immediately.  
Repairs must ONLY be made after proper instruction.

- Ⓢ Inspect Tarp for wear and tears.
- Ⓢ Inspect Arms for damage (cracked, dented or bent).
- Ⓢ Nuts & Bolts: Make sure all mounting bolts and nuts are in place and tight and that no parts are worn or damaged.
- Ⓢ Bearings: Pull the shafts from side to side and in and out. If there is excessive play, replace the bearings. Apply penetrating oil lightly as needed.
- Ⓢ Springs: Examine springs for breakage or distortion. Apply a light coat of penetrating oil to tension springs as needed.
- Ⓢ Electrical Connections: Check all electrical connections and tighten any loose connections.
- Ⓢ Safety Labels: Clean labels with soap and water. Replace if damaged and/or difficult to read.

Replacement Parts and instructions may be obtained from your Aero dealer or by contacting Aero Industries.



**INDIANAPOLIS, IN**  
Indianapolis, IN 46241  
800-535-9545  
FAX: 317-244-1311

**OMAHA, NE**  
Omaha, NE 68137  
800-535-9545  
FAX: 402-895-6129

**STREETSBORO, OH**  
Streetsboro, OH 44241  
800-535-8552  
FAX: 330-626-3277

© 2014 Aero Industries, Inc. Easy Cover® and the Claw™ are trademarks of Aero Industries, Inc. The Claw Patent Pending.

Covered by one or more of the following patents in the U.S. 5,129,698; 5,174,625; 6,234,562; 6,318,790; 6,338,521; 6,367,862; 6,457,622; 6,474,719; 6,536,836; 6,575,518; 6,575,519; 6,578,897; 6,637,800; 6,712,419; 6,786,735; 6,942,274; 7,275,780; 8,205,927; 8,220,859; 8,267,461; 8,444,206; 8,550,532 and others pending — in Canada 2,073,714; 2,074,607; 2,394,047; 2,403,478; 2,403,484; 2,471,029; 2,499,561; 2,526,379; 2699021 and other patents pending.