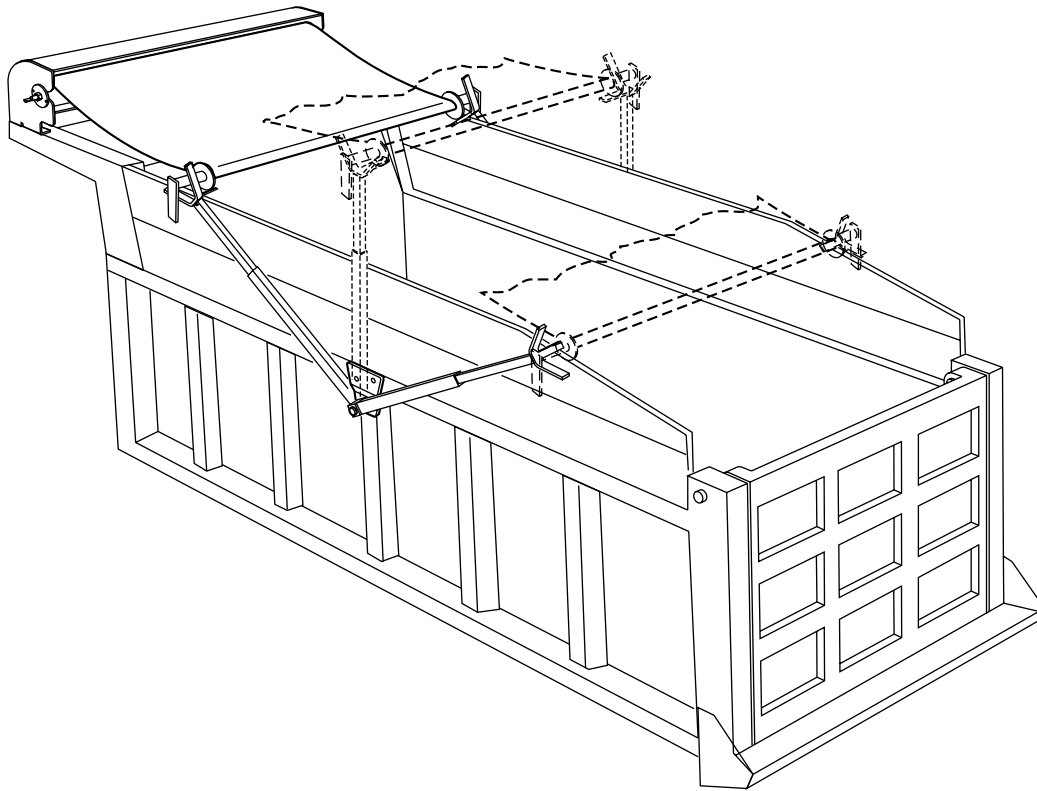


Heap Hopper

Assembly, Installation, Maintenance, and Safety Instructions



Attention Dealers:
Please give this manual to
the customer when the
product is delivered.

Important: This manual explains how to install, operate, and maintain the Heap Hopper. Before installing or operating the Heap Hopper, read the entire manual.

Three kinds of special explanations will appear throughout the manual. These are Warning, CAUTION, and Note. Be sure to read and follow them carefully.

Warning: Possible danger to the operator or a bystander. The operator or bystander could be injured if you ignore this information.

CAUTION: Risk to the product. If you ignore this information, the Heap Hopper or the truck could be damaged.

Note: Contains additional information about a feature or step critical to the installation of the Heap Hopper.

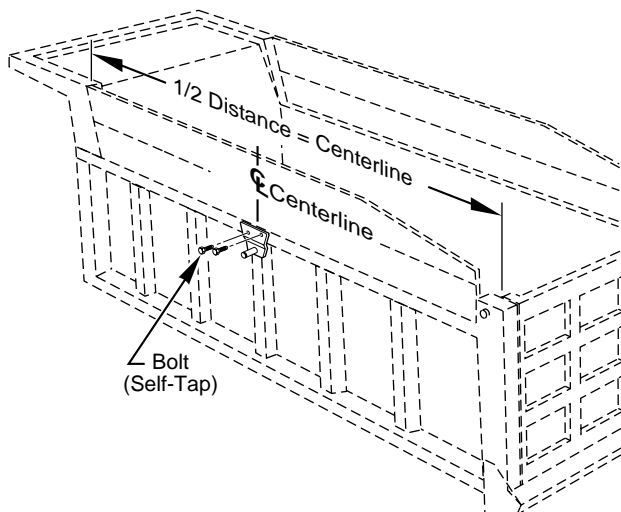
STEP 1

Installing the Heap Hopper Mounting Brackets

Parts you will need:
Mounting Brackets (2)
Bolts $\frac{5}{16}$ " x 1" (4)

1. See Figure 1. Center the mounting bracket on the top rail of the dump body with the two holes toward the top. Once bracket is centered and straight, use bracket as a template, mark the hole locations.

Figure 1



2. Using an $\frac{9}{32}$ " drill bit, drill through top rail.
3. Secure bracket with the $\frac{5}{16}$ " bolts and tighten firmly.

4. Repeat steps 1 through 3 on the other side of the dump body.

Note: Before you install the second mounting bracket, make sure the distance from the front of the body to the center of the bracket is the same on both sides, so arms will swing properly.

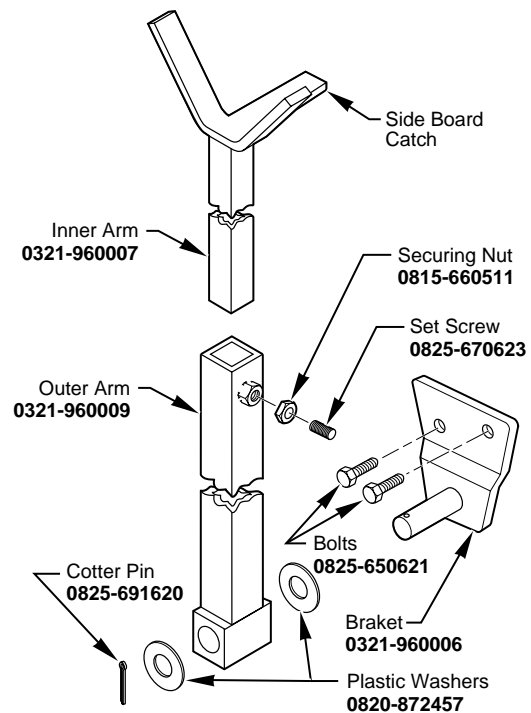
STEP 2

Installing the Heap Hopper

Parts you will need:
Outer Arm Assembly (2)
Inner Arm Assembly (2)
Washer, plastic (4)
Cotter Pin (2)

1. See Figure 2. Place one plastic washer on the mounting bracket post, then outer arm assembly, and one more plastic washer on the outside. Insert cotter pin and bend to secure.

Figure 2



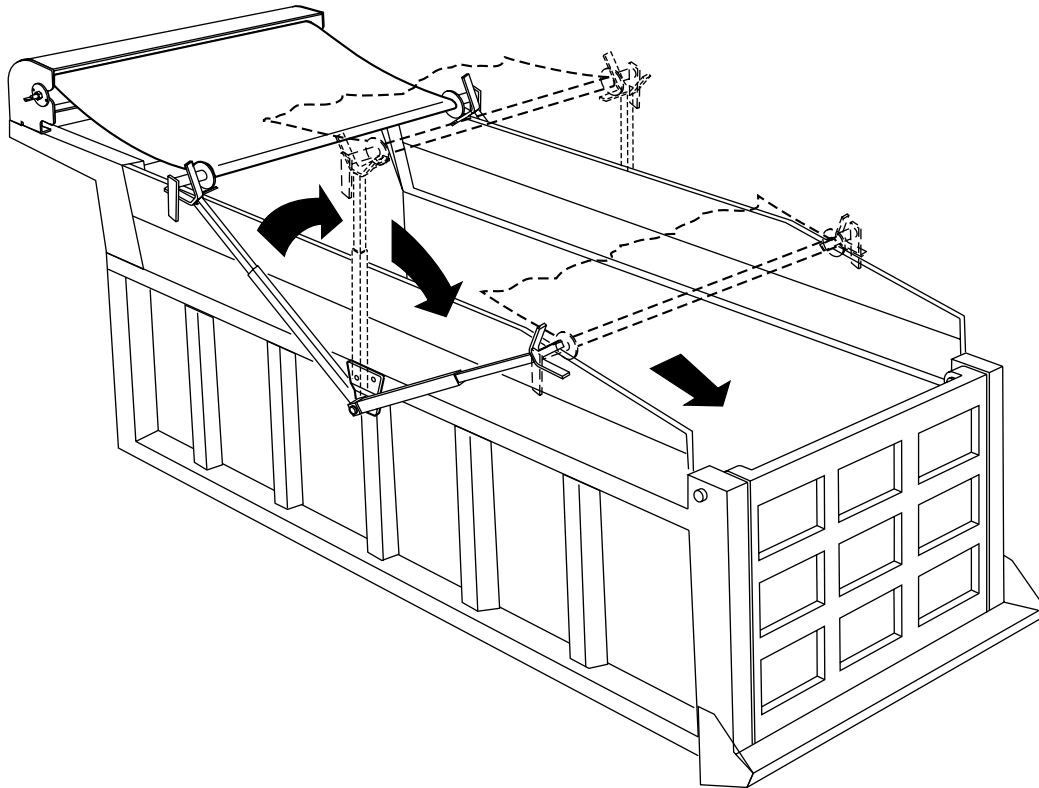
2. Place inner arm assembly into the outer arm assembly so the side board catch points into the body.
3. Adjust arm length to desired location and secure with set screw and securing nut. Make sure the arms are the same length on both sides.

STEP 3

Operating the Load Arms

1. See *Figure 3*. Place the arms in the forward position.
2. Pull Easy Pull rear bar towards the back of the body. The rollers of the tarp rear bar will engage the yoke of the load arm and guide the bar over the load and put it back on the top rail towards the rear of the body.
3. When releasing the tarp to return to the front of the body, the opposite will occur. Momentum of the tarp arm will operate the Heap Hopper.

Figure 3



We Go the Distance!

WARRANTY

Aero products come with a one year warranty on all parts. It's another example of our ongoing commitment to customer satisfaction and quality.

CUSTOMER SERVICE

1-800-535-9545

Our customer service technicians are trained to help you. Whether it's ordering, installation, or just general information on our products, you can count on expert advice from Aero.



© 2000 AERO INDUSTRIES, INC

0930-861557
07/09/00

INDIANAPOLIS
3010 W. Morris Street
P.O. Box 21066
Indianapolis, IN 46221
(800) 535-9545
FAX (317) 244-1311

OMAHA
I-80 & Highway 50 South
P.O. Box 37598
Omaha, NE 68137
(800) 535-8552
FAX (402) 895-6129

HAMBURG, PA
2nd & Grand
Hamburg, PA 19526
(800) 535-3665
FAX (215) 562-0340

PHOENIX, AZ
3836 W. Buckeye Rd.
Phoenix, AZ 85009
(888) 224-8277
FAX (602) 233-2929

BURLINGTON, ONTARIO
AERO-KIT INDUSTRIES
3474 Mainway Drive
Burlington, Ontario
L7M 1A8
(905) 335-2012
FAX (905) 335-8499