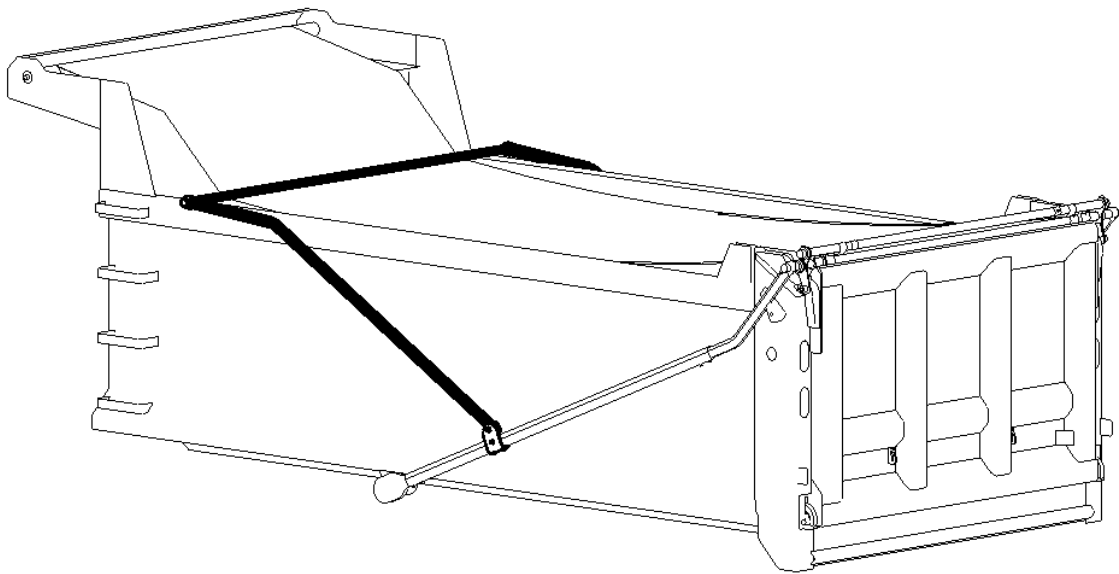


Double Bow for Easy Cover®

Installation Instructions

Parts List

READ THIS ENTIRE MANUAL PRIOR TO INSTALLATION



Attention Dealers:

Please give this owners manual to the customer when the product is delivered.

IMPORTANT: This manual explains how to install the Double Bow Arm for Easy Cover®.

• Indianapolis, IN • Omaha, NE • Streetsboro, OH



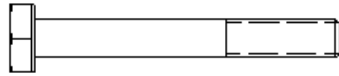
Double Bow for Easy Cover[®]

Parts List Directory

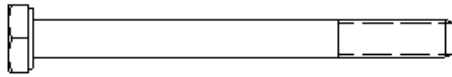
Item	Section	Page
Hardware		3
Position and Mount Pivot Bracket	1	4
Assemble Arm, Size, and Attach	2	6
Attach Cross Tube and Test	3	9
Double Bow Parts List		12
Double Bow Arm Parts List		13

Double Bow for Easy Cover®

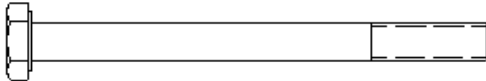
0311-962675 Hardware Pack



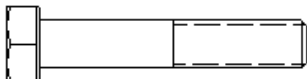
1/4-20 X 2 LG HHCS QTY - 10



1/4-20 X 2 3/4 HHCS QTY - 2



1/4-20 X 3 HHCS GR5 QTY - 2



5/16-18 X 1 3/4 HHCS GR 8 QTY - 2



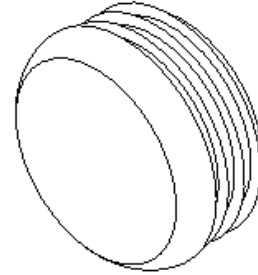
5/16-18 X .75 Lg Set Screw
QTY - 2



1/4-20 Nylock Hex Jam Nut
QTY - 16



5/16-18 Nylock Hex Nut
QTY - 2



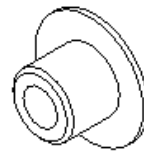
Plug End QTY - 2



1/4 Flat Washer
QTY - 4



5/16 Flat Washer
QTY - 4



Bronze Bushing
QTY - 2

Double Bow for Easy Cover[®]

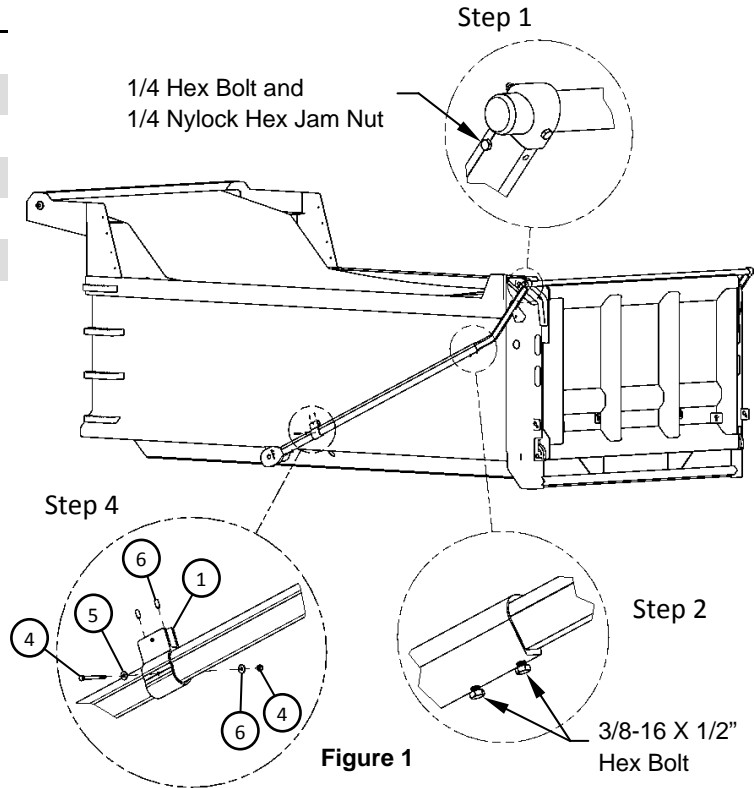
SECTION 1 - Position and Mount Pivot Bracket

Index	Description	Qty
1	Pivot Bracket	2
2	Cross Tube	1
3	1/4-20 X 2" Hex Bolt	2
4	1/4-20 X 2 3/4" Hex Bolt	2
5	1/4-20 Nylock Hex Jam Nut	4
6	1/4 Flat Washer	4
7	5/16-18 x 3/4 Socket Set Screw	4

- 1) **See Figure 1.** With Easy Cover in the covered position, remove the 1/4 hex bolt and lock nut holding the upper swing arm to the arm end.

NOTE: 2 people are required for the following steps.

NOTE: Be Careful not to let go of swing arm when removing the arm cap. Spring tension could cause the swing arm to hit the ground too hard and damage it.



- 2) **See Figure 1.** Loosen the 3/8 hex bolts that secure the upper swing arm and separate the swing arm from the arm end. You may need to use a rubber mallet to get the arm end out of the swing arm.

- 3) Repeat for opposite side arm.

- 4) **See Figure 1.** With tabs up and arm at rear of bed, place the Pivot Bracket (1) over the end of the swing arm and slide down to within about 2' of the pivot point of the swing arm. Use the 5/16-18 x 3/4 socket set screws (6) to loosely clamp into place.

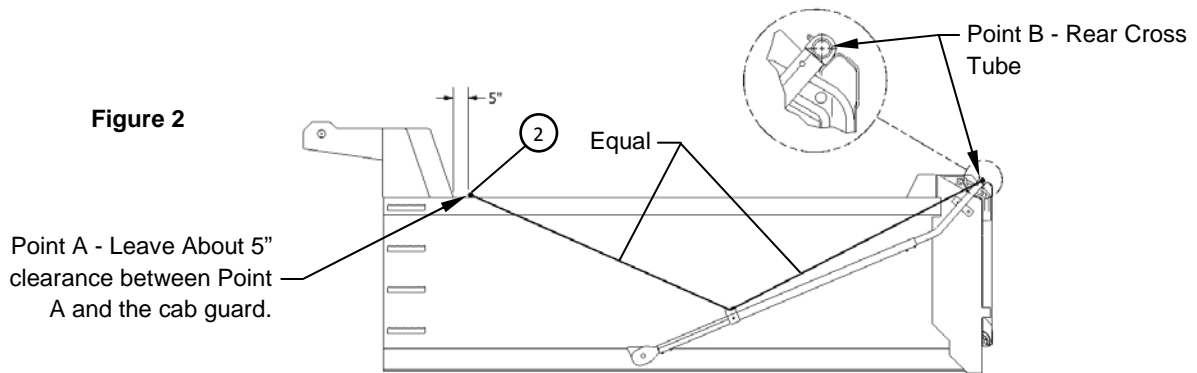
- 5) Reinsert the arm end into the swing arm and secure with 1/4-20 x 2 hex bolt (3) and 1/4-20 Nylock hex nut (5) and tighten.

- 6) Repeat for opposite side arm.

Double Bow for Easy Cover[®]

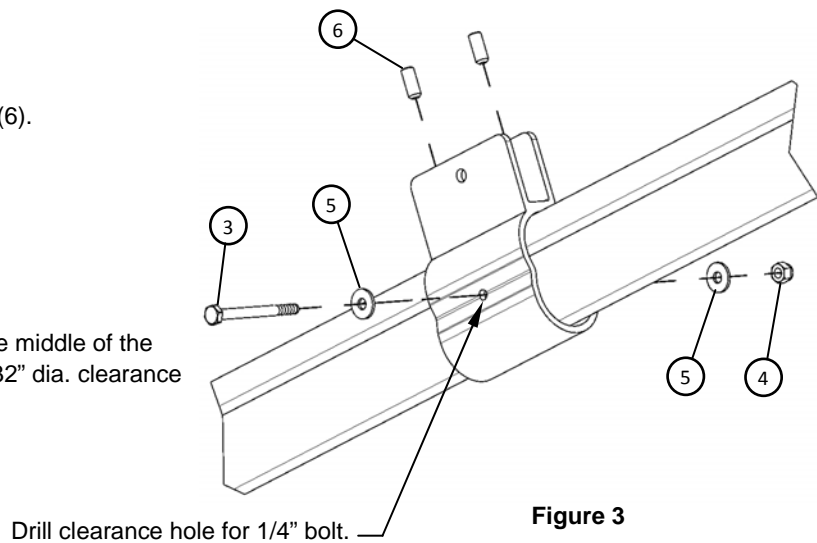
NOTE: Figure 2. Leave About 5" clearance between Point A (Cross Tube (2)) and the cab guard.

7) **See Figure 2.** Place Cross Tube (2) on top of dump bed near cab guard and over top of tarp and clamp in place. Leave 5" between the cab guard and the Cross Tube (2). Measure from Pivot Bracket to Points A and B and adjust the Pivot Bracket (1) until both are the same measurement.



8) **See Figure 3.** Tighten set screws (6).

9) **See Figure 3.** Using the hole in the middle of the Pivot Bracket (1) as a guide drill a 9/32" dia. clearance hole for 1/4" bolt.



10) **See Figure 3.** Secure Pivot Bracket (1) with 1/4-20 x 2 3/4" hex bolt (3), qty of two 1/4 flat washers (5), and 1/4-20 Nylock hex nut (4).

11) Repeat Steps 1 - 6 for opposite side of arm.

Double Bow for Easy Cover®

SECTION 2 - Assemble Arm, Size, and Attach

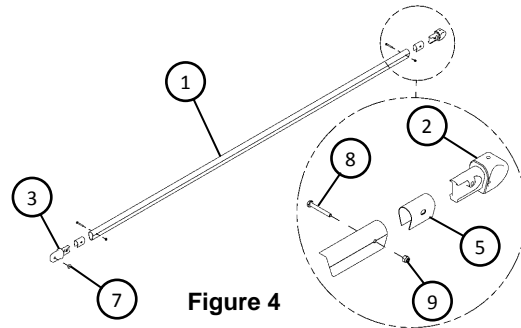
Index	Description	Qty
1	Double Bow Extrusion	2
2	Arm End Cap Casting	2
3	Arm End Pivot Casting	2
4	Arm Angle Casting	2
5	Arm End Spacer	4

Index	Description	Qty
6	Cross Tube	1
7	Bronze Bushing	2
8	1/4-20 x 2" Hex Bolt GR 2	8
9	1/4-20 Nylock Hex Jam Nut	4
10	1/4-20 x 2 3/4" Hex Bolt GR 8	2
11	1/4 Flat Washer	4
12	5/16-18 Nylock Hex Nut	2

NOTE: STEP 1 is for assembling a straight arm and STEPS 2-4 are for assembling a bent arm.

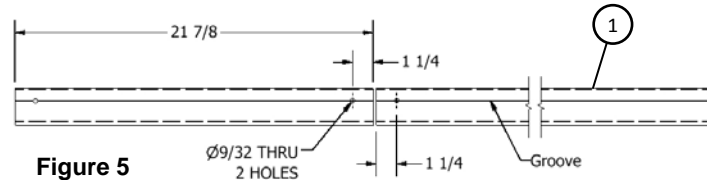
Assemble Straight Arm

1) **See Figure 4.** Insert Arm End Cap (2) and Arm End Spacer (5) into the end of the Double Bow Extrusion (1) with a hole, and using 1/4-20 x 2" hex bolt (8) and 1/4-20 Nylock hex jam nut (9) secure tightly. Repeat for second arm.

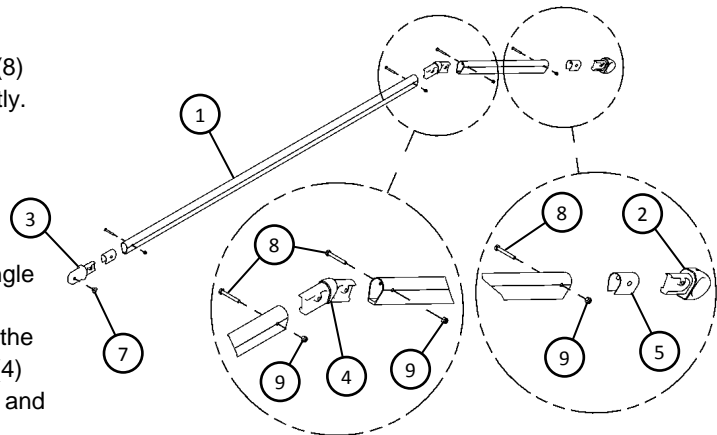


Cut & Assemble Bent Arm

2) **See Figure 5.** Cut the Double Bow Extrusion (1) to 21 7/8" long as shown and drill a 9/32" diameter hole 1 1/4" from the cut end along groove. The long section of the Double Bow Extrusion drill a 9/32" hole 1 1/4" from the end a long groove. Repeat for second arm.



3) **See Figure 6.** Insert Arm End Cap (2) and Arm End Spacer into the 21 7/8" long Double Bow Extrusion and using 1/4-20 x 2" hex bolt (8) and 1/4-20 Nylock hex jam nut (9) secure tightly. Repeat for second arm.



4) **See Figure 6.** Insert one end of the Arm Angle Casting (4) into the end of long Double Bow Extrusion with the hole and the other end into the shorter extrusion. Secure Arm Angle Casting (4) to both extrusions with 1/4-20 x 2" hex bolt (8) and 1/4-20 Nylock hex jam nut (9), secure tightly. Repeat for second arm.

Figure 6

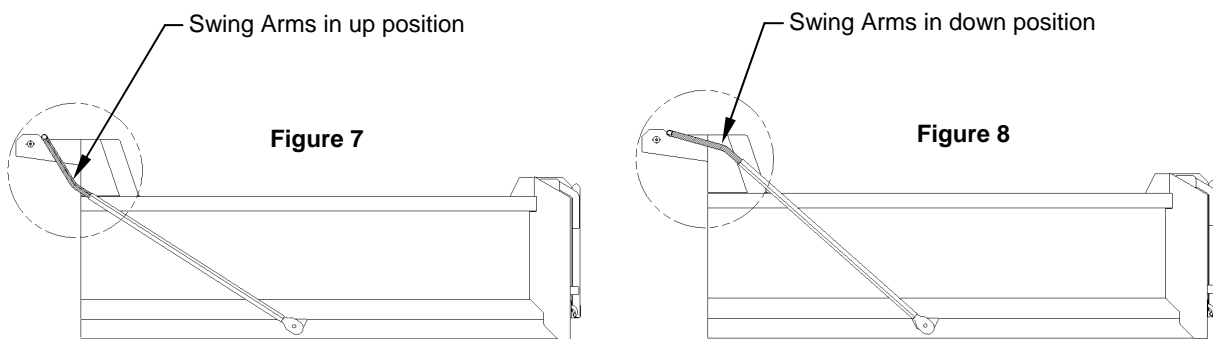
Double Bow for Easy Cover®

NOTE: 2 people are required for the following steps.

NOTE: STEP 5 and up show only the bent arm option. Use the appropriate Double Bow Arm from STEP 1 or 4.

TIP: Rotate (turn) Cross Tube while, with a rubber mallet, simultaneously tapping the opposite end.

5) **See Figures 7 & 8.** Determine which direction the bend in the swing arm is facing when Easy Cover is in the uncovered position. Lift assembled Tension Bow Arm and slide onto the Cross Tube (6) in the same position as Easy Cover swing arm.



6) **See Figure 10.** Temporarily attach Arm End Pivot Casting (4) to the pivot bracket.

7) **See Figure 9 & 10.** Rotate the Double Bow Arm and align with the Arm End Pivot Casting (3) attached to Pivot Bracket as shown. Mark the Tension Bow Arm at the face of the Pivot Arm End Cap.

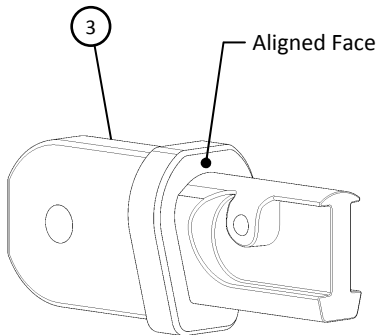


Figure 9

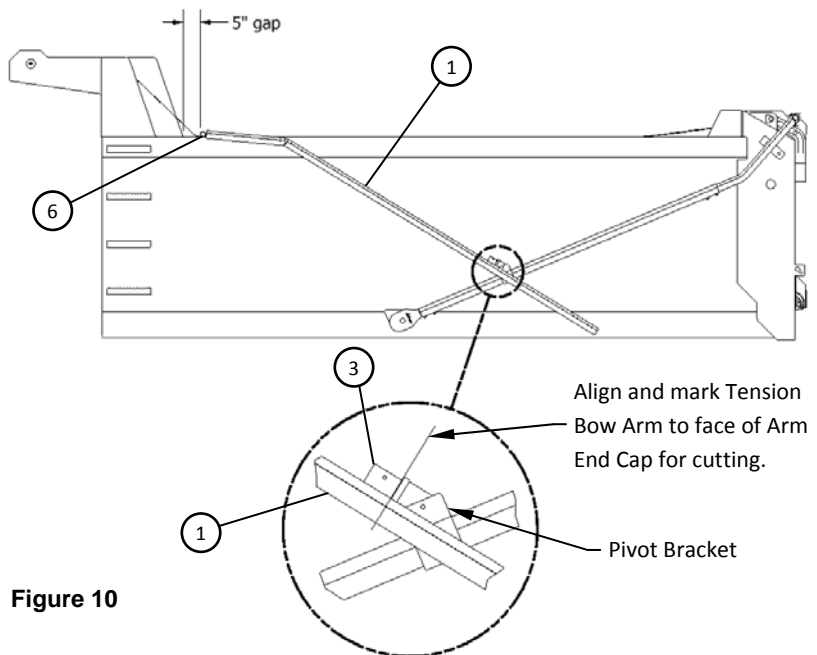


Figure 10

Double Bow for Easy Cover[®]

8) **See Figure 11.** Remove double bow arm from Cross Tube (6) and cut marked location square with arm. Repeat for second arm.

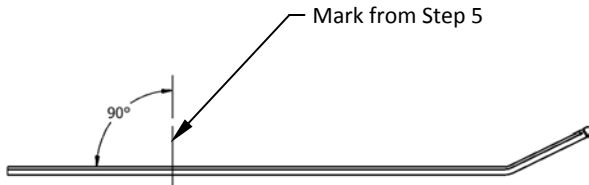


Figure 11

9) **See Figure 12.** In assembled double bow arm, drill a 9/32" diameter hole 1 1/4" from the end along groove. Repeat for second arm.

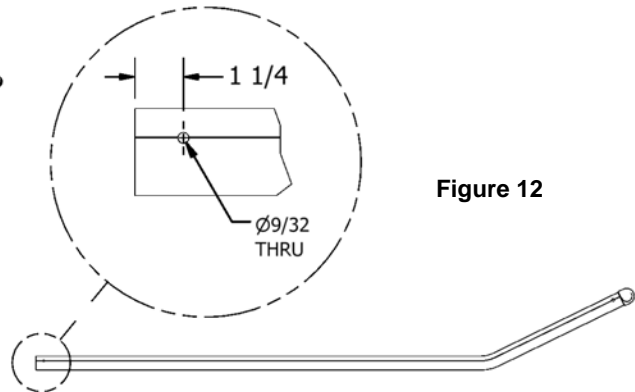


Figure 12

10) **See Figure 13.** Insert Arm End Pivot Casting (3) into drilled double bow arm and secure with 1/4-20 x 2" hex bolt (7) and 1/4-20 Nylock hex jam nut (9). Repeat for second arm.

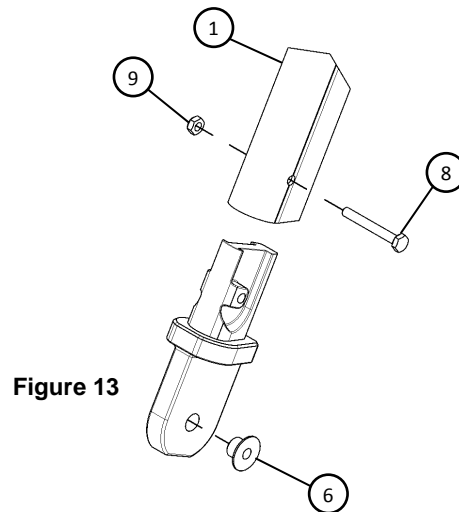


Figure 13

Warning: Make sure the bend in the swing arm is facing the correct direction according to Step 5.

11) **See Figure 14.** Insert 5/16-18 x 2" hex bolt (9) with 5/16 flat washer (11) thru Arm End Pivot Casting (3), Bronze Bushing (7), and Pivot Bracket. Secure with 5/16 flat washer (11) and 5/16-18 Nylock hex nut (12). Repeat for second arm.

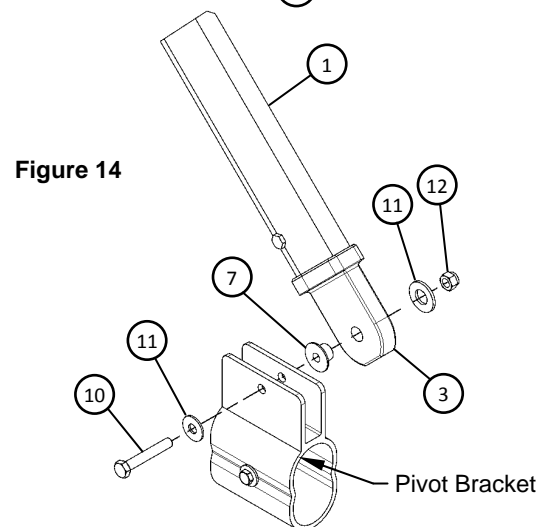


Figure 14

Double Bow for Easy Cover[®]

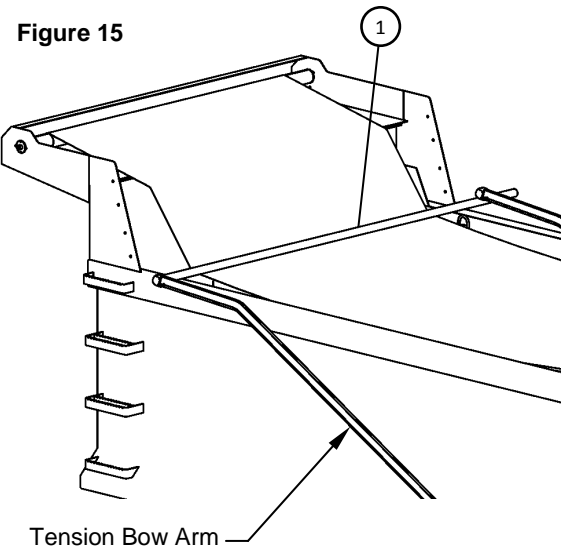
SECTION 3 - Attach Cross Tube and Test

NOTE: 2 people are required for the following steps.

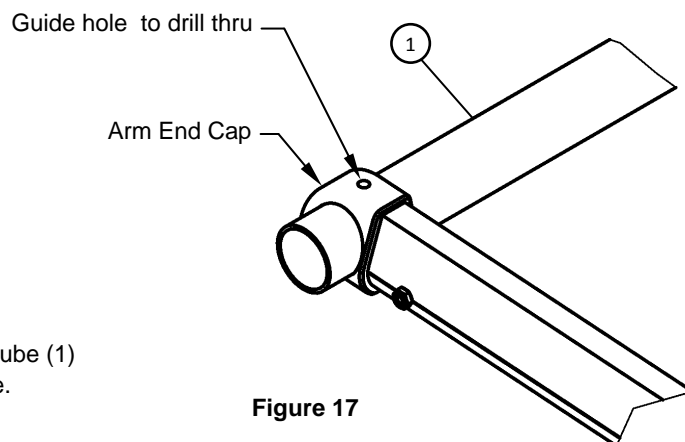
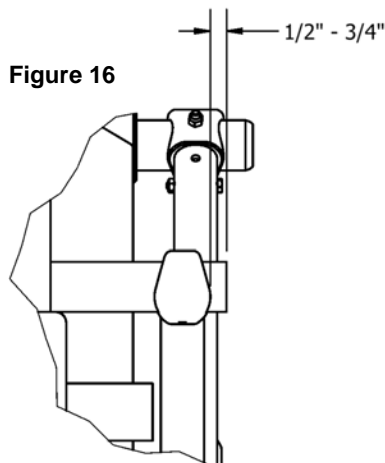
Index	Description	Qty
1	Cross Tube	2
2	1/4-20 x 3" Hex Bolt	2
3	1/4-20 Nylock Hex Jam Nut	2
4	Plug End	2

TIP: Rotate (turn) Cross Tube while, with a rubber mallet, simultaneously tapping the opposite end.

1) **See Figure 15.** Unclamp Cross Tube (1) and insert into Arm End Cap on Tension Bow Arm far enough so opposite Arm can be lifted and inserted thru Arm End Cap.



2) **See Figure 16.** Once Cross Tube (1) is thru both Arm End Caps, adjust one side to extend 1/2" - 3/4" beyond the Arm End Cap.

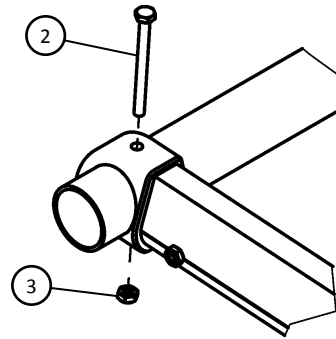


3) **See Figure 17.** Drill 1/4" hole thru Cross Tube (1) using the hole in the Arm End Cap as a guide.

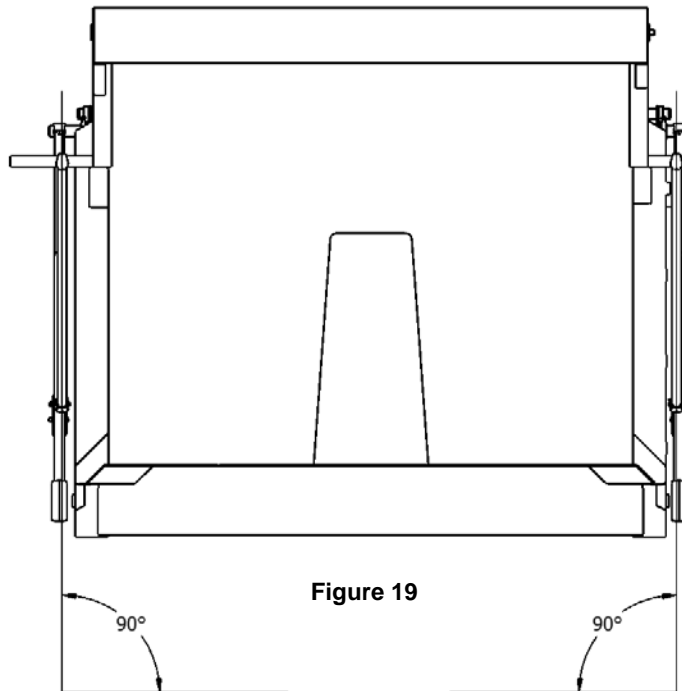
Double Bow for Easy Cover[®]

4) **See Figure 18.** Insert 1/4-20 x 3" hex bolt (2) the Arm End Cap and secure with 1/4-20 Nylock Hex Jam Nut (3).

Figure 18



5) **See Figure 19.** Adjust Tension Bow Arms, on both sides of truck so they are 90 degree angle with the bed.



6) **See Figure 17.** While maintaining location of Tension Bow Arms, drill 1/4" hole thru Cross Tube (1) using the hole in the Arm End Cap as a guide.

6) **See Figure 18.** Insert 1/4-20 x 3" hex bolt (2) the Arm End Cap and secure with 1/4-20 Nylock Hex Jam Nut (3).

Double Bow for Easy Cover[®]

7) **See Figure 20.** Cut off excess Cross Tube (1) to extend 1/2" - 3/4" beyond Arm End Cap.

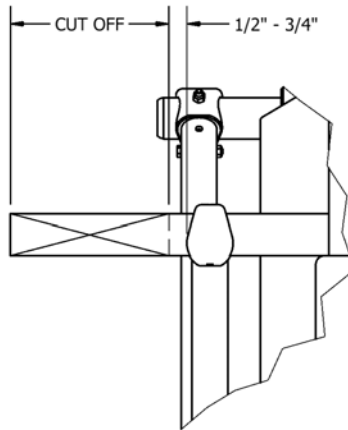


Figure 20

8) **See Figure 20.** Insert Plug Ends (4) into ends of Cross Tube (1).

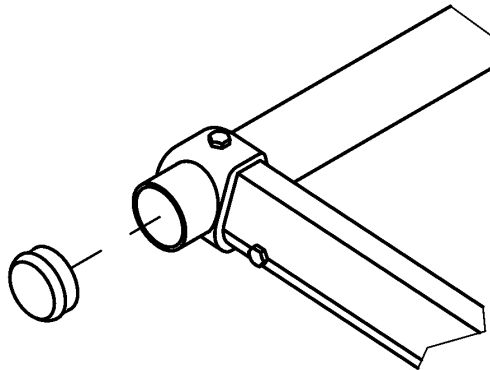
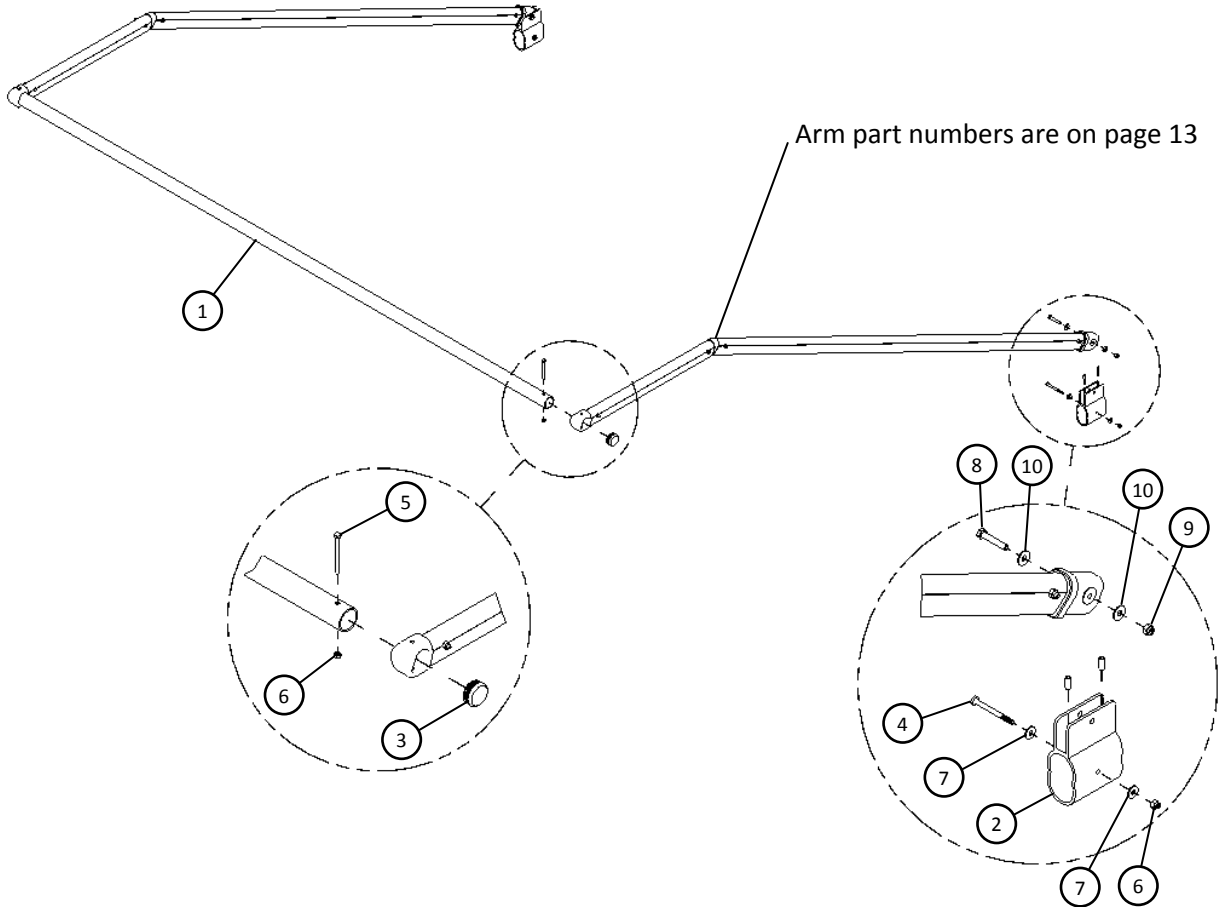


Figure 20

9) Test system to insure correct operation.

Double Bow for Easy Cover[®]

Double Bow Part List



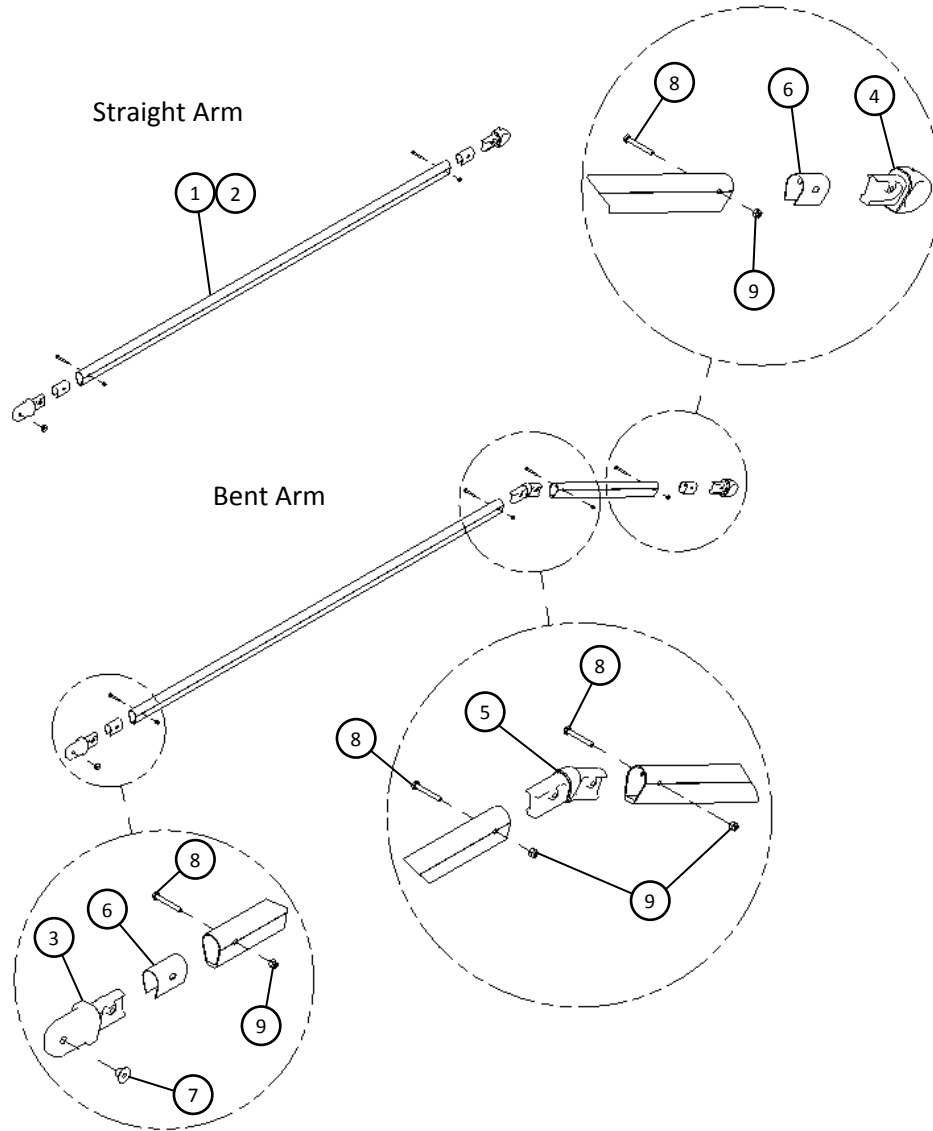
0311-962675 Hardware Pack

Index	Part No.	Description	Qty
1	0311-860703	Cross Arm Steel 109"	1
2	0311-880046	Adjustable Pivot Extrusion	2
3	0311-862135	Plug End	2

Index	Description	Qty
4	1/4-20 X 2 3/4" Hex Bolt	2
5	1/4-20 x 3" Hex Bolt	2
6	1/4-20 Nylock Hex Jam Nut	4
7	1/4 Flat Washer	4
8	5/16-18 x 2" Hex Bolt	2
9	5/16-18 Nylock Hex Nut	2
10	5/16 Flat Washer	2
11	5/16-18 x 3/4" SSS	4

Double Bow for Easy Cover®

Double Bow Arm Part List



Index	Part No.	Description	Qty
1	0311-880019	Double Bow Extrusion 10'-18'	1
2	0311-880020	Double Bow Extrusion 19'-24'	1
3	0311-880048	Arm End Pivot Casting STD	1
4	0311-861137	Arm End Modification	1
5	0311-860701	Angle Casting	1
6	0311-880044	Arm End Casting Spacer	2

0311-962675 Hardware Pack

Index	Description	Qty
7	Bronze Bushing	1
8	1/4-20 x 2" Hex Bolt GR2	4
9	1/4-20 Nylock Hex Jam Nut	4

NOTE: When ordering specify the length of the trailer.

Second Double Bow Extrusion on bent arm is cut from items 1 or 2.

Double Bow for Easy Cover[®]

Aero Industries, Inc.



Indianapolis, IN - 4243 Bradbury Avenue, Indianapolis, IN, 46241 - 800-535-9545 - FAX: 317-244-1311
Omaha, NE - I-80 & Highway 50 South, Omaha, NE, 68137 - 800-535-9545 - FAX: 402-895-5129
Streetsboro, OH - 8540 State Route 14, Streetsboro, OH, 44241 - 888-237-2262 - FAX: 330-626-3277

Aero Industries, Inc. 0930-861256 3/14/11 Rev. A