

Easy Cover[®] Model 555

Installation Instructions

Attention Dealers: Please give this owners manual to the customer when the product is delivered.

Call 800-535-9545 | www.aeroindustries.com

Indianapolis, IN | Omaha, NE | Streetsboro OH



Installation Directory

Item	Step	Page
Safety Information		3
Warranty Information and Tools Required		4
Tarp Housing		
Installing Tarp Housing with Trailer Mounting Brackets	1	5
Roll-up Bar		
Installing Electric Motor and Fixed Roll-up Bar	2	6
Electrical		
Installing Standard Electrical with Rocker Arm Switch	3	7-8
Spring Assemblies		
Installing Hex Spring Assembly	4	9-10
End Fittings & Lower Swing Arms		
Installing End Fitting and Heavy Duty Swing Arm	5	11
Installing Cross Connecting Arm		
Installing Cross Connecting Arm (Coal)	6	12
Attach Tarp to Roll-up Bar		
Installing Tarp to Roll-up Bar, Roll Under (Standard)	7a	13
Installing Tarp to Roll-up Bar, Roll Over (Optional)	7b	13
Accessories		
Installing Body Guard	8	14
Installing Arm Restraint	9	15
How to Operate and Maintain Easy Cover		16

NOTES

Easy Cover® Model 555

⚠ DANGER: Risk of death or serious injury to operator or bystander will result.

⚠ WARNING: Risk of death or serious injury to operator or bystander could result.

⚠ CAUTION: Risk of injury to operator or bystander could result.

NOTICE: Risk of product or vehicle being damaged.

NOTE: Contains information critical to the installation or operation of this product.

Safety Considerations

⚠ WARNING: Possible danger to the operator or bystander. The operator or bystander could be injured if you ignore this information.

⚠ WARNING: Read this entire manual before installing this product. Read all labels before operating.

⚠ WARNING: Be sure that your working platform is secure as you work on the truck. Use OSHA approved ladders or scaffolding to work above ground level.

⚠ WARNING: Always wear safety glasses during installation and operation.

⚠ WARNING: Always check for overhead obstructions before opening and closing. Do not operate under low hung power lines.

⚠ CAUTION: Keep all clothing clear of moving parts.

⚠ CAUTION: Keep everyone clear of the area. Always check to make sure that no one is at the rear of the box or in the immediate area of the tarp as it operates.

NOTICE: Make sure hand crank is removed before covering load.

⚠ WARNING: The Easy Cover's arms are attached to spring assemblies and are typically under tension. As such, it is important that the following safety guide lines are strictly followed. Failure to do so could result in and cause risk of death or serious injury to operator or bystander.

- A. When performing maintenance or repairing the Easy Cover product, the arms must always be positioned on the rear tailgate (tarp in covered position). Never perform repair work or maintenance on a system unless the arms are positioned on the rear tailgate. Failure to do so could cause risk of serious injury or worse to operator or bystander.
- B. Never stand against, or near, the side of the trailer or body with an Easy Cover- as the arms are under spring tension. Failure to do so could cause serious injury or worse to operator or bystander.
- C. If the arms become bent or damaged in any manner- or will not freely and normally rotate to the rear tailgate for any reason- do not attempt to modify, repair, or release the arms using any means other than the system's motor or manual crank assembly. If the arms fail to rotate freely and normally for any reason, immediately discontinue use of the trailer/body and tarp system until repair can be made by a qualified technician. Failure to do so could cause serious injury or worse to operator or bystander.

Easy Cover® Model 555

This manual explains how to install and maintain the Easy Cover® tarping system.

Aero Warranty

Aero Products come with a one year warranty on all parts. It's another example of our ongoing commitment to customer satisfaction and quality.

Customer: If you have any concerns or questions prior to the installation of this product, please call our Customer Service at 1-800-535-9545.

Tools Required for Installation

Marker or Felt Pen

Tape Measure

Black Electrical Tape

Awl

Hammer

Drill Bits: 9/32", .316" (O drill), 13/32", 17/32"

Sockets: 7/16", 9/16"

Allen Wrench:

Open End or Box Wrenches: 7/16", 9/16", 3/4"

Electric or Air Drill

Easy Cover® Model 555

Installation Instructions

Step 1

Installing Tarp Housing with Trailer Mounting Bracket

NOTE: Use Parts Kit #0311-962275

Index	Description	Qty	Index	Description	Qty
1	Tarp Housing	1	5	1/2-13 x 2 Hex Bolt GR5	16
2	Housing Mounting Bracket DS	2	6	1/2 Flat Washer	16
3	Housing Mounting Bracket PS	2	7	1/2 Nylon Hex Nut	16
4	Rubber Bushing	8			

- 1) See **Figure 1**. Turn tarp housing (1) upside down and position mounting housing bracket trailer (2) 12" in from each end, evenly spaced in between, and flush with the front of the tarp housing (1) (not the end plates). Keeping brackets straight and parallel with end plates, mark holes through brackets. There will be 4 brackets evenly spaced across the tarp housing and 12" from each end.
- 2) Drill marked holes using 17/32" drill bit.
- 3) Attach mounting brackets with rubber bushings (3), 1/2-13 x 2 hex bolt (4), 1/2 flat washer (5), and 1/2 - 13 nylon hex nut (6). Tighten until bushings compress to approximately 3/8" to 1/2".
- 4) See **Figure 1**. Hold housing up to trailer firmly, center on trailer and trace holes in mounting brackets. Drill marked holes using 17/32" drill bit.
- 5) Attach with 1/2-13 x 2 hex bolt (4), 1/2 flat washer (5), and 1/2-13 nylon hex nut (6).

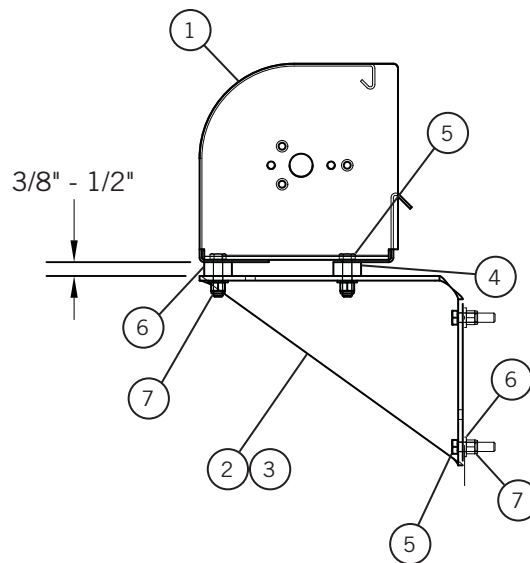


Figure 1

Easy Cover[®] Model 555

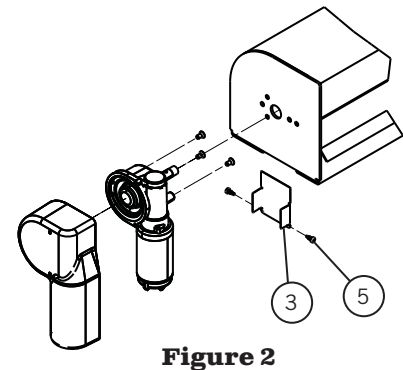
Installation Instructions

Step 2

Installing Electric Motor and Fixed Roll Up Bar

NOTE: Use Hardware Pack taped to roll up bar & from Parts Kit #0311-963138

Index	Description	Qty
1	Motor RA/SWB	1
2	Fixed Electric Roll Up Bar	1
3	Plate Filler Motor Cover	2
4	5/16-18 x 7/8 FHCS	3
5	#10 x 1 Self-drilling Pan Head	2
6	1/4 x 2 Shoulder Bolt	1
7	1/4 Flat Washer	2
8	#10-24 Nylon Hex Nut	1



- 1) See Figure 2 & 3. One end does not have a shaft. Remove the #10-24 nylon hex nut (8), 1/4 flat washers (7) and 1/4 x 2 shoulder bolt (6) from that end. Insert shaft of motor RA/SWB (1) through tarp housing into end of the roll up bar (2) fasten motor RA/SWB (1) to the tarp housing with three 5/16-18 x 7/8 FHCS (3).
- 2) See Figure 2 & 3. Line up hole in roll up bar with hole in motor shaft, and with previously removed bolt, washers and nut secure roll up bar to shaft.
- 3) With screws provide with the motor attach cover to the motor. (Cover will need to be removed for wiring.)
- 4) See Figure 2 & 3. Use the plate filler motor cover (3) with two #10 x 1 self-drilling pan head screws (5).

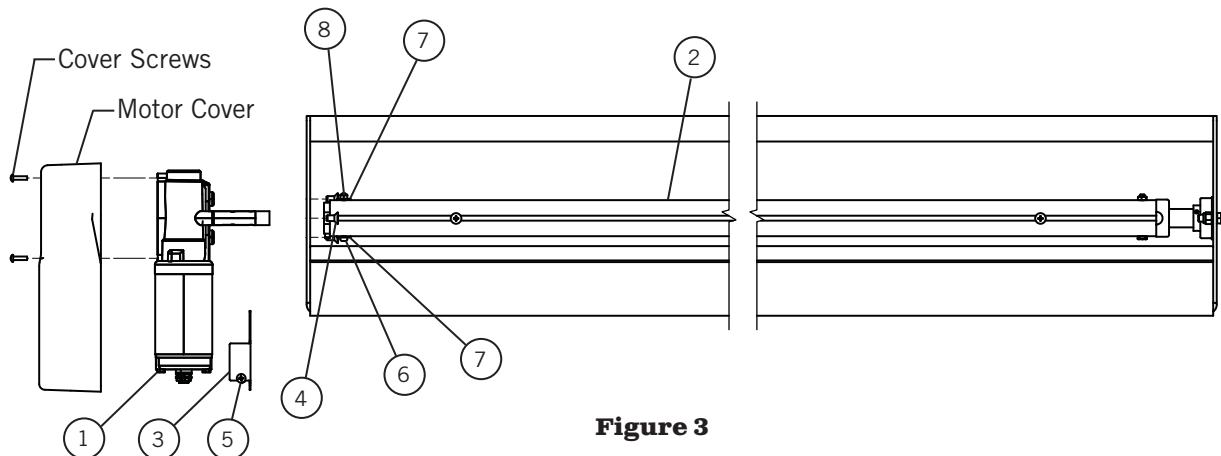


Figure 3

Easy Cover® Model 555

Installation Instructions

Step 3

Installing the Standard Electrical Controls with Rocker Switch

NOTE: Use Hardware Kit #0311-963138 & Hardware Pack #0755-962131

Index	Description	Qty	Index	Description	Qty
1	Reverse DC Contactor	1	12	10-32 Hex Nut	2
2	DC Contactor Cover	1	13	1/4 x 3/4 Pan Head Phillips	12
3	Switch Rocker Assy for DC Contactor	1	14	1/4-20 x 1 Hex Head Bolt	2
4	Circuit Breaker 50 Amp	1	15	1/4-20 x 2 Hex Head Bolt	2
*5	Wire #6 Duplex	Varies	16	1/4 Flat Washer	8
*6	Wire #14ga 3 Conductor Type SJ	20'	17	1/4-20 Nylon Hex Jam Nut	4
7	Wire End #6 x 1/4 Ring Term.	2	18	5/16-24 Hex Nut	4
8	Wire End #6 x 3/8 Ring Term.	5	19	5/16 Lock Washer	4
9	Wire End #6 x #10 Screw Ring Terminal	2	20	Clamp Metal Loom Plastic Coated	12
10	Wire End #14 x 1/4 Push on	6	21	Wiring Diagram Revers Contactor	1
11	Wire End #14 x 3/8 Ring Term.	1			

- 1) Open and layout all electric hardware parts.
- 2) Find a convenient place on the driver's side under the dashboard to mount the rocker switch. Using the switch as a template, mark and drill two 9/32" holes.
- 3) Mount rocker switch (3) using (2) 1/4-20 x 1 Hex bolts (14), (4) 1/4 flat washers (16), and (2) 1/4 Nylon hex nuts (17).
- 4) Find a secure location at or near the back of the cab to mount the reversing DC contactor (1). Mount the reversing DC contactor (1) using (2) 1/4-20 x 2 hex bolts (15), (4) 1/4 flat washers (16), and (2) 1/4 - 20 Nylon hex nuts (17). Do not tighten at this time.
- 5) Measure the wiring distance from the gearmotor to the pivot box, then from the pivot point through the truck body to the DC contactor in the cab.

* #6 Duplex Wire and #14 wire is and not supplied in this kit.

CAUTION: Incorrect wiring can cause failure to the Easy Cover system and possible harm to the operator.

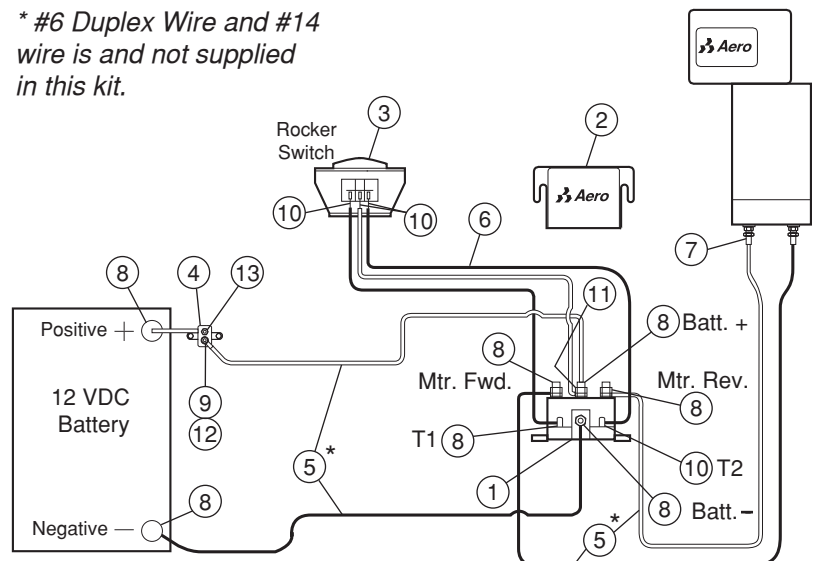


Figure 4

Easy Cover[®] Model 555

Installation Instructions

- 6) Secure the #6 wire (5) along the vehicle frame using clamp metal looms (20) and 1/4 x 3/4 pan head Phillips (13) being sure to avoid any exhaust, moving parts, or sharp edges that could damage the wire's protective coating. The wire should have a loop at the hinge point where the bed pivots on the frame. A good rule of thumb is to match the loop of factory installed wires and lines or hoses. This will allow sufficient flex during bed cycling operation. Insufficient or improper loop can result in wire damage when the bed is raised.
 - 7) Measure distance between rocker switch (3) and reverse DC contactor (1). Wire switch (3) and reversing DC contactor (1) according to diagram with #14 wire (6).
 - 8) Measure distance between battery and reverse DC contactor (1) run #6 wire (5) between the two.
 - 9) Install a circuit breaker (4) at or very near the battery's positive terminal. Secure circuit breaker in place with a zip tie if possible to prevent movement.
 - 10) Place the DC contactor cover (2) on the reversing DC contactor (1) and tighten the 1/4-20 bolts and nuts.
- NOTICE:** Circuit breaker must be properly installed or motor warranty is void.

NOTE: Use Plug Quick Disconnect Assembly #0755-626460

TRACTOR TRAILER WIRING DIAGRAM

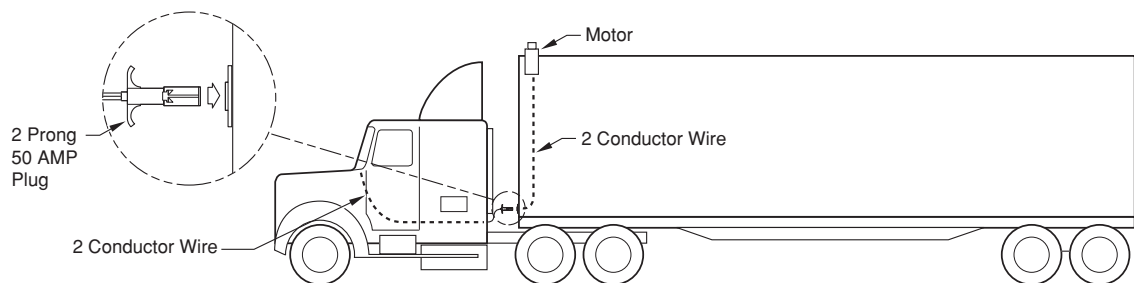


Figure 5

Easy Cover® Model 555

Installation Instructions

Step 4

Installing Hex Spring Assembly

NOTE: Use Spring Kit #0311-962244 and Hardware Pack #0311-962576

Index	Description	Qty	Index	Description	Qty
1	Hex Spring (driver side)	1	4	3/8-16 x 1 Hex Bolt	8
2	Hex Spring (passenger side)	1	5	3/8 Flat Washer	16
3	Mounting Channel Bearing 18"	2	6	3/8-16 Nylon Hex Nut	8

See figure 6

NOTE: See figure 6. Notice that the spring assembly (B) is one point of a triangle. The other two points (A & C) are on top of the truck. The two downward - pointing legs of the triangle must be the same length. These steps will make sure that the two legs are equal.

- 1) Mark the rear edge of the tarp housing or the mounting plate in line with the tarp roll up bar on the driver's side and passenger's side. Mark these points and call them (A).
- 2) Determine where you want the rear of the tarp to be when it fully **Figure 6** the box. Mark these points and call them (C).
- 3) **See Figure 6.** Find a point at the side of the box that is the same distance from A and C. This is point B, where the spring assembly will be mounted. Mark this point on both sides.
- 4) Position the driver's side spring assembly (1) to the point marked on the driver's side (B). Clamp the spring assembly into position centering the mounting plate **Figure 7**. B. The top of the mounting plate should be as high as possible from the bottom of the box.
- 5) **See Figure 7.** Drill four 13/32" holes using the mounting plate as a guide.
- 6) Bolt the spring assembly to the box or rail with 3/8 - 16 x 1 hex bolts (3), 3/8 flat washers (4), and 3/8-16 nylon hex nut (5).
- 7) Repeat Steps 4 - 6 for passenger's side.

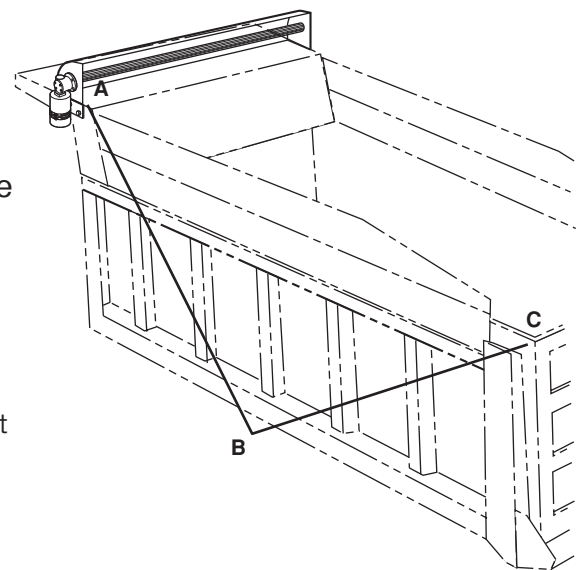


Figure 6

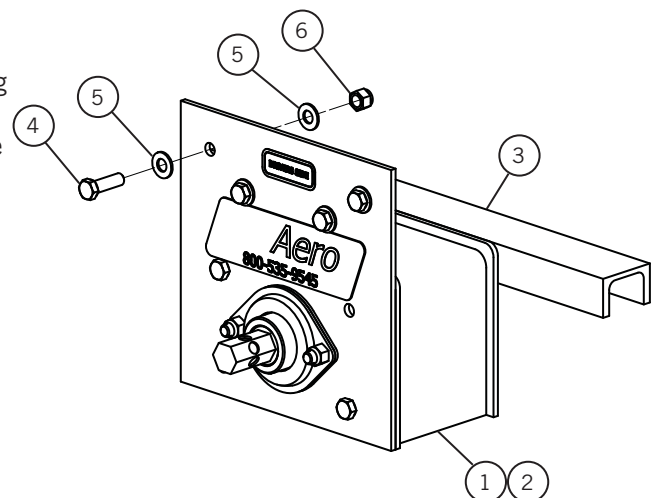


Figure 7

Easy Cover® Model 555

Installation Instructions

8) See **Figure 8**. At the back of the spring find a location to mount the mounting channel bearing 18" (3).

NOTE: The mounting channel should fit flush against the back of the spring housing, if there is interference between the mounting channel and the nut on the back of the spring housing you will need to notch the channel around the nut.

9) Attach the mounting channel bearing 18" (3) by either welding or bolting to the body.

NOTE: Bolts for mounting channel to dump body are not included.

10) Weld mounting channel to back of spring housing.

11) Repeat Steps 8-12 for opposite side.

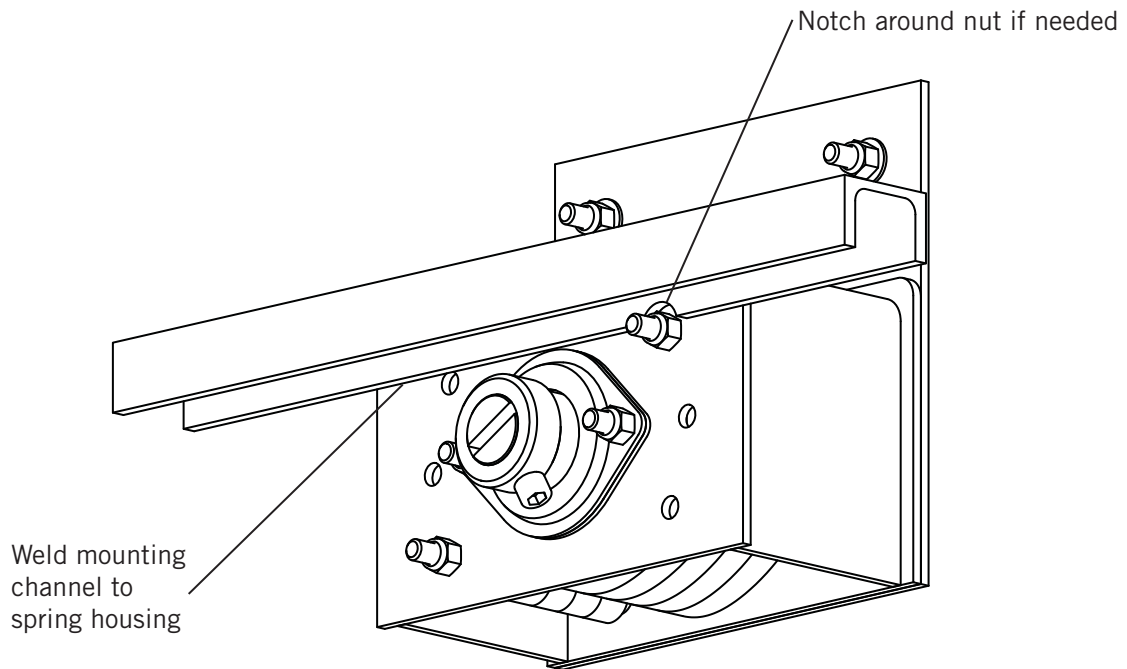


Figure 8

Easy Cover® Model 555

Installation Instructions

Step 5

Installing the End Fitting and Heavy Duty Swing Arm

NOTE: Use Parts Kit #0311-962275

Index	Description	Qty
1	End Fitting	1
2	Extrusion Coal Swing Arm	1
3	3/8-16 x 1 Hex Bolt	4
4	3/8-16 x 1 HWH Type F	2
5	3/8-16 x 2 1/2 Hex Bolt	2
6	3/8-16 Nylon Hex Nut	2

- 1) See **Figure 9**. Place a end fitting (1) on the driver's side tension spring assembly shaft so it is facing the rear.
- 2) Insert 3/8-16 x 1 hex bolt (3) into the end fitting (1) and tighten against the shaft.
- 3) Place swing arm lower aluminum large (2) onto casting and secure from underneath with 3/8-16 x 1 HWH Type F (4).
- 4) Insert 3/8-16 x 2 1/2 hex bolt (5) through extrusion and arm and secure with 3/8-16 nylon hex nut (6).
- 5) Repeat for opposite side.

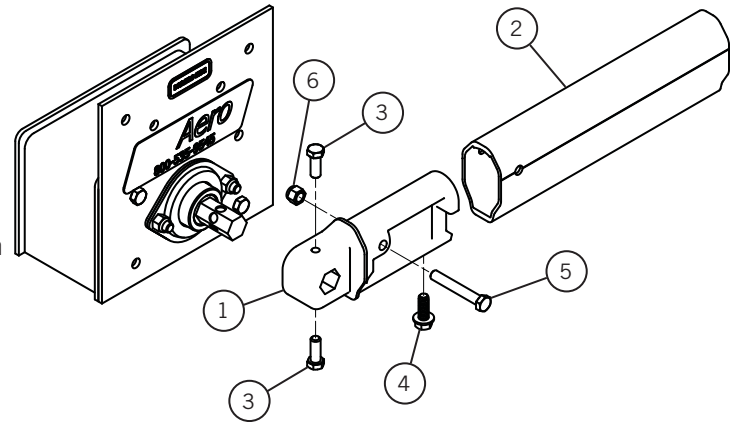


Figure 9

NOTICE: Release all tension on springs before removing swing arms.

NOTE: On rare occasions, the tension spring assembly may not have enough tension to pull the tarp to the rear of the truck. Test the completed tarp system. If the tension is not sufficient, loosen 3/8 hex bolts and pull arm and end fitting off of shaft and preload the tension spring assemblies by turning the shafts 1/6 turn clockwise for driver side and counter-clockwise for passenger side and reattaching the swing arms.

Easy Cover® Model 555

Installation Instructions

Step 6

Installing Cross Connecting Arm

NOTE: Use Parts Kit #0311-962275

Index	Description	Qty	Index	Description	Qty
1	Tarp	1	5	1/4-20 Nylon Hex Jam Nut	4
2	Cross Connecting Arm	1	6	3/8-16 x 2 1/2 Hex Bolt	4
3	Rubber Bumper	4	7	3/8-16 Nylon Jam Nut	4
4	1/4-20 x 1 Hex Bolt	4	8	Hose Clamp 3"	4

- 1) Roll out tarp (1) in bed of truck with the pocket at the rear of the truck.
- 2) Wrap the end of the tarp with the pocket around cross connecting arm (2) and attach using the hose clamps 3" (8).
- 3) Slide 2 rubber bumpers (3) onto each side of the cross connecting arm (2).
- 4) See **Figure 10**. Insert 1/4-20 x 1 hex bolt (4) into each rubber bumper and attach 1/4-20 Nylon hex jam nut (5).
- 5) Place cross arm (2) on the tail gate and center, lift one swing arm up to leg of cross connecting arm (2) at 10" up leg (start of bend) mark swing arm and cut mark.
- 6) Repeat for opposite side of trailer. Make sure both swing arms are the same length.
- 7) Lift one swing arm and insert cross connecting arm (2) into swing arm.
- 8) Repeat for opposite side of trailer.
- 9) With the cross arm (2) resting on the tail gate and leg inside swing arm 10" drill a .316" (O drill) hole through swing arm and the tube as shown along extruded mark. Secure with 5/16-18 x 2 1/2" hex bolt (6) and 5/16-18 nylon hex nut (7)
- 10) See **Figure 11**. Position swing arms to be parallel with the bed.
- 11) Wrap tarp (1) around cross connecting arm (2), center and secure with four hose clamp 3" (8).
- 12) Reposition rubber bumpers (4), two to sit on tailgate, two to line up with the end plates of the tarp housing and tighten bolts.

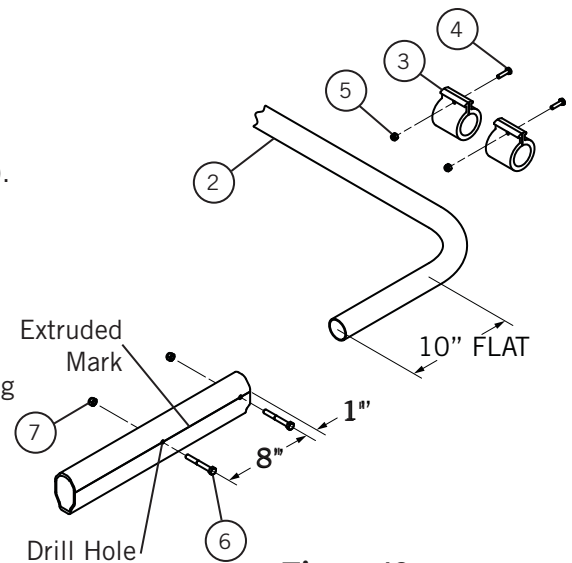


Figure 10

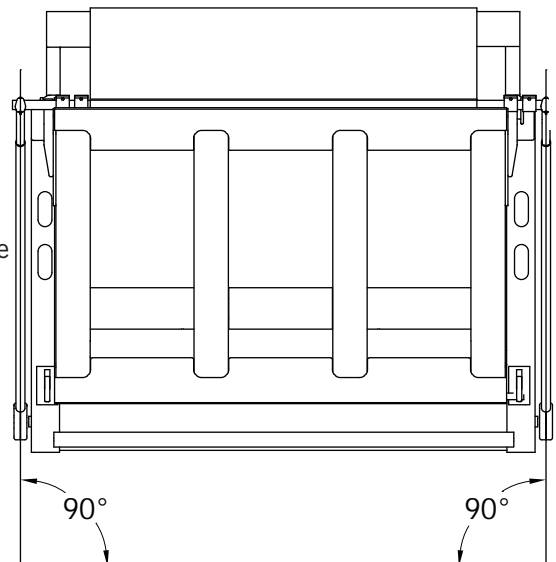


Figure 11

Easy Cover® Model 555

Installation Instructions

Step 7a

Installing the Tarp to the Roll Up Bar, Roll Under (Standard)

NOTE: Hardware is taped to roll bar

Index	Description	Qty	Index	Description	Qty
1	Tarp	1	3	1/4 Square Nut	6
2	1/4-20 x 1/2 Pan Head	6	4	1/4 Split Lock Washer	6

- 1) See Figure 12. Pull the loose end of the tarp (1) under the roll up bar, winding from the underside. Make sure the tarp is centered from side to side.
- 2) Mark the tarp roll up bar for fastener placement using the grommets in the tarp as a guide.
- 3) Secure tarp (1) with 1/4-20 pan head Phillips (2), 1/4-20 square nuts (3), and 1/4 split lock washers (4).

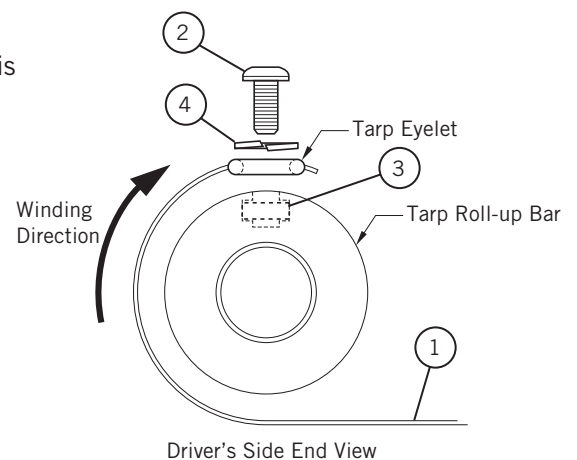


Figure 12

Step 7b

Installing the Tarp to Roll Up Bar, Roll Over (Optional)

NOTE: Hardware taped to roll bar

Index	Description	Qty	Index	Description	Qty
1	Tarp	1	3	1/4 Square Nut	6
2	1/4 Pan Head	6	4	1/4 Split Lock Washer	6

- 1) See Figure 13. Pull the loose end of the tarp (1) over the roll up bar, winding from the topside. Make sure the tarp is centered from side to side.
- 2) Mark the tarp roll up bar for fastener placement using the grommets in the tarp as a guide.
- 3) Secure tarp (1) with 1/4-20 pan head Phillips (2), 1/4-20 square nuts (3), and 1/4 split lock washers (4).

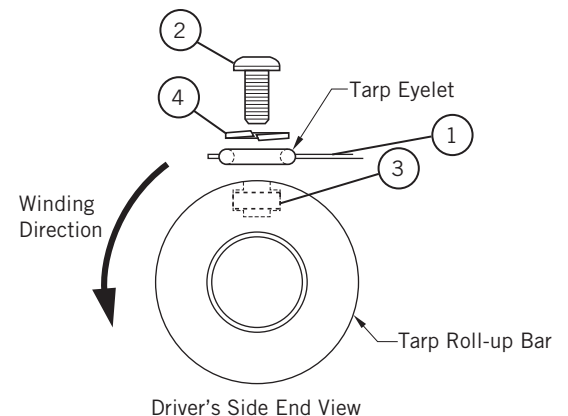


Figure 13

Easy Cover® Model 555

Installation Instructions

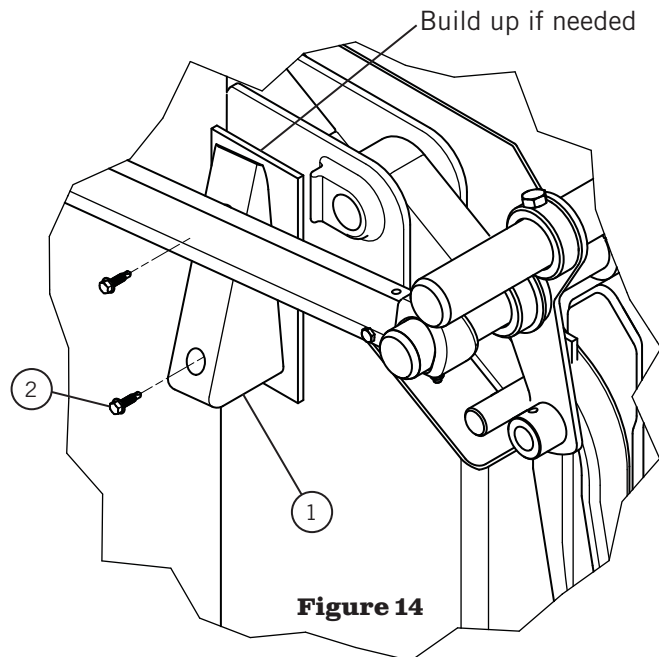
Step 8

Installing Body Guard

NOTE: Body Guard Kit #0311-960212 (requires 2 kits per truck)

Index	Description	Qty
1	Body Guard Plastic	4
2	#14 x 1 1/2 HWH TEK	8

- 1) See Figure 14. Find a surface to mount the body guard (1), preferably close to the top of the bed. It may be necessary to add a plate or build up an area so that the swing arms will hit the body guard. Make sure the body guard is perpendicular to the swing arms and are not too tight to interfere with the operation of the tarp.
- 2) Once the body guards (1) location is found secure them with #14 x 1 1/2 HWH TEK (2).
- 3) Repeat on each corner of dump body.



Easy Cover® Model 555

Installation Instructions

Step 9

Installing Arm Restraint

NOTE: Use Parts Kit #0311-962275

Index	Description	Qty
1	Angle Chain Corner	4
2	Cable Tie Down 8"	2
3	Chain Assembly Arm Restraint	2
4	#10 x 1 1/2 TEK Hex Washer Head	16
5	3/8-16 x 4 1/2 Hex Bolt	2
6	3/8 Flat Washer	4
7	3/8-16 Nylon Hex Nut	2

1) See **Figure 15**. From the bottom of the swing arm at the spring measure 54" and drill .386 diameter (W drill) horizontally through the center of the tube and both walls.

2) See **Figure 15**. Attach cable tie down 8" (2) to swing arm with 3/8-16 x 4 1/2 hex bolt (5), two 3/8 flat washers (6), and 3/8-16 nylon hex nut as shown.

3) Open quick link on end of chain assembly arm restraint (3) and attach it to cable Tie down 8" (2).

4) See **Figure 16**. Make sure the tarp system is in the fully closed position and locate the angle chain corner (1) with the long leg on the bottom so that the S-hook on the chain assembly can be attached to firmly hold the swing arm in place.

5) Use four #10 x 1 1/2 TEK hex washer head (4) to secure angle chain corner (1) to trailer.

6) Repeat on each corner of trailer.

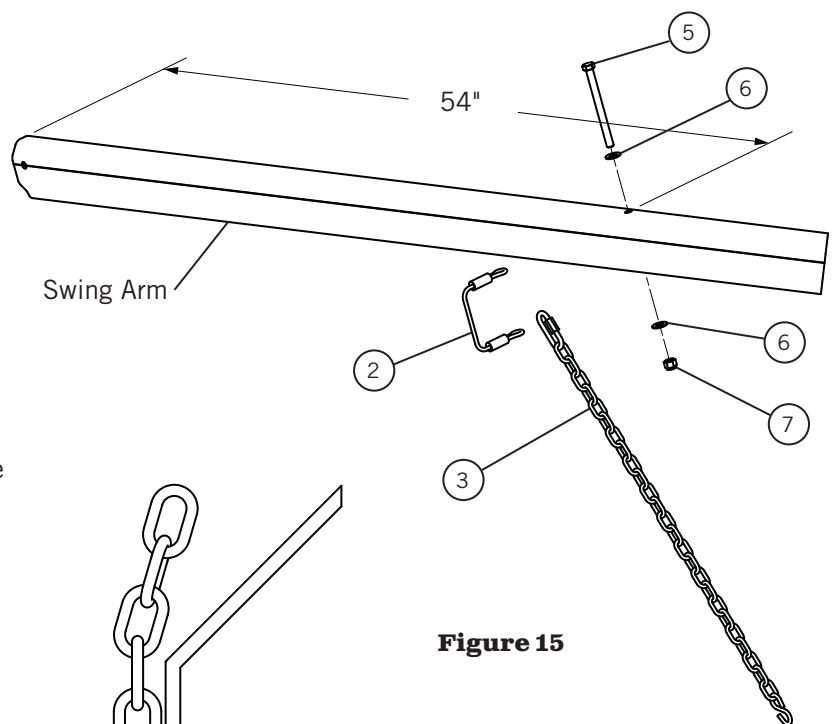


Figure 15

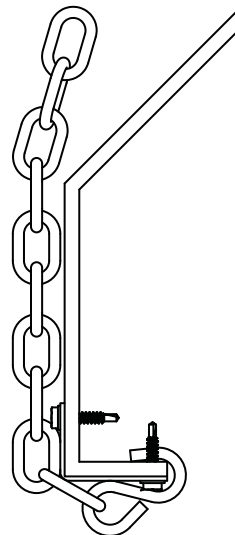


Figure 16

Easy Cover® Model 555

Installation Instructions

How to Operate and Maintain the Tarp System

How to Uncover the Load

- 1) Turn the switch to the position of "cover". Release the switch when the tarp reaches the front of the truck.

How to Cover the Load

- 1) Turn the switch to the position of "uncover". Release the switch when the tarp reaches the tailgate.

How to Maintain the Easy Cover

Minimal maintenance is required for the Easy Covers. Individual usage and operating conditions will determine when to check the Easy Cover. Aero Industries recommends a weekly inspection of the following items:

- ☉ Bearings: Pull the shafts from side to side and in and out. If there is excessive play, replace the bearings. Lubricate as often as necessary with penetrating oil. Operating conditions will determine how often to lubricate. **DO NOT** use an excessive amount of lubricant.
- ☉ Chain and Springs" Check the chain for a broken master link and for excessive stiffness. Lubricate the chain regularly with penetrating oil. Examine springs for breakage or stretching. Lubricate the tension springs with penetrating oil as often as condition dictate.
- ☉ Screws: Make sure all mounting bolts and screws are in place and tight and that no parts are worn or damaged.
- ☉ General: Replace all worn or broken parts immediately.

Replacement Parts may be obtained from the dealer or by contacting Aero Industries.

Easy Cover® Model 555

Installation Instructions

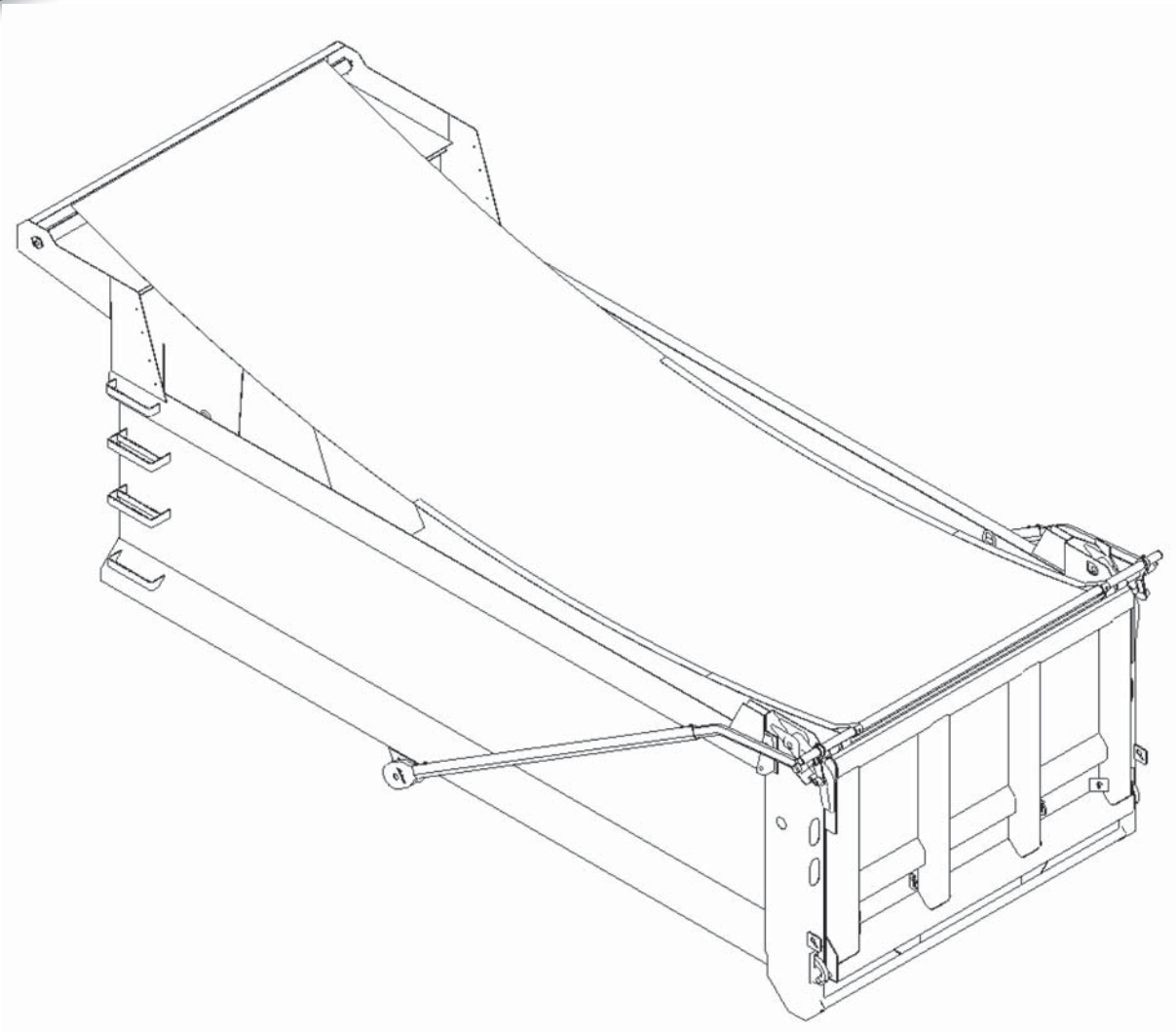
Page Intentionally left Blank

Easy Cover® Model 555

Installation Instructions

Page Intentionally left Blank

Easy Cover®



Aero®

Call 1-800-535-9545

www.aeroindustries.com

INDIANAPOLIS, IN

Indianapolis, IN 46241
800-535-9545
FAX: 317-244-1311

OMAHA, NE

Omaha, NE 68137
800-535-9545
FAX: 402-895-6129

STREETSBORO, OH

Streetsboro, OH 44241
888-237-2262
FAX: 330-626-3277

© 2010 Aero Industries, Inc. Easy Cover® and the Claw™ are trademarks of Aero Industries, Inc. The Claw Patent Pending.

Covered by one or more of the following patents in the U.S. 6,318,790; 6,457,622; 6,575,519; 6,578,897; 6,575,518; 6,367,862; 6,234,562; 6,712,419; 5,174,625; 6,474,719; 6,338,521; 6,637,800; 5,129,698; 6,536,836; 6,786,735 — in Canada 2,394,047; 2,403,478; 2,471,029; 2,403,484; 2,074,607; 2,073,714; 2,499,561; 2,526,379 and other patents pending.

Aero Industries, Inc. 0930-311303

10/15/12 Rev. A