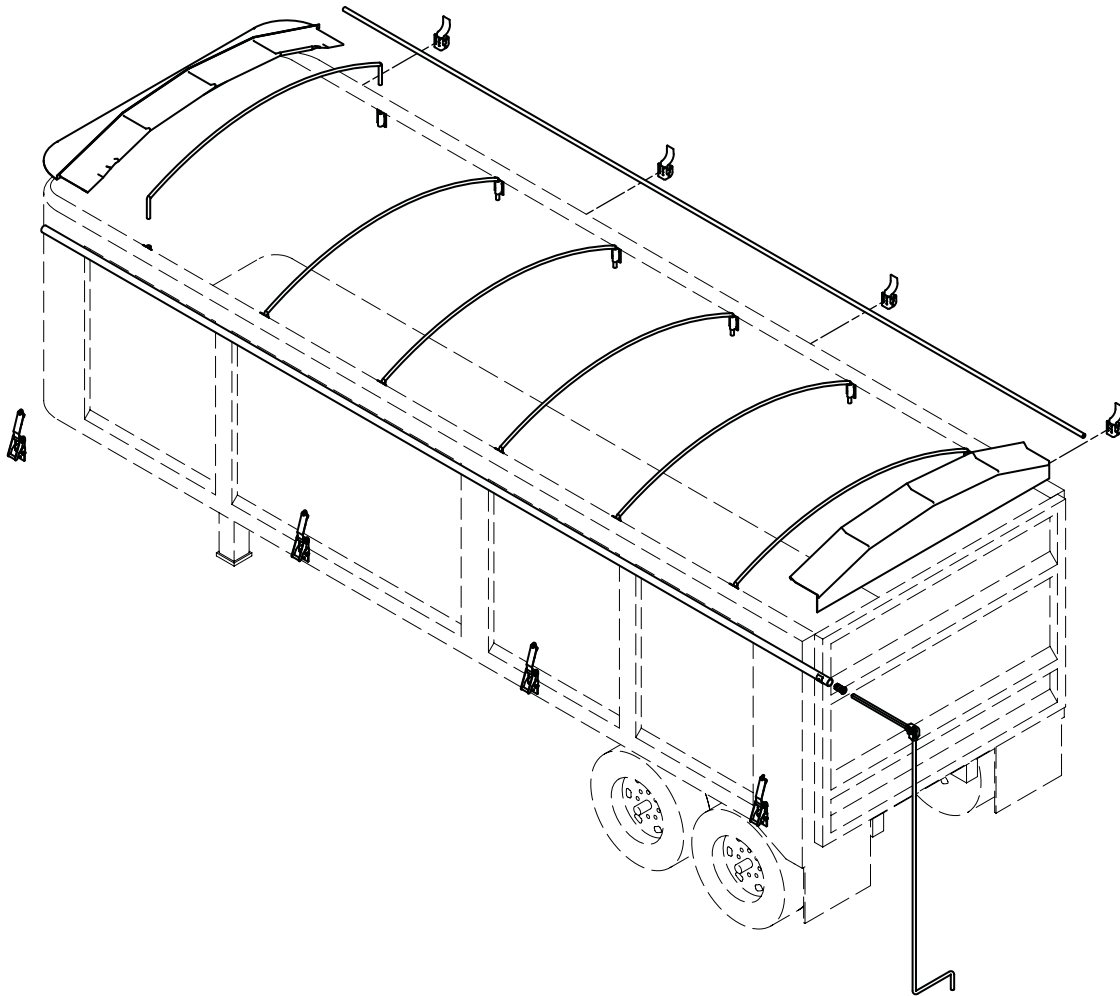




Serving the Truck & Trailer Industry
Since 1944

FOR END DUMPS



Classic Roll Tarp

Parts Lists

Attention Dealers: Please give this owners manual to the customer when the product is delivered.

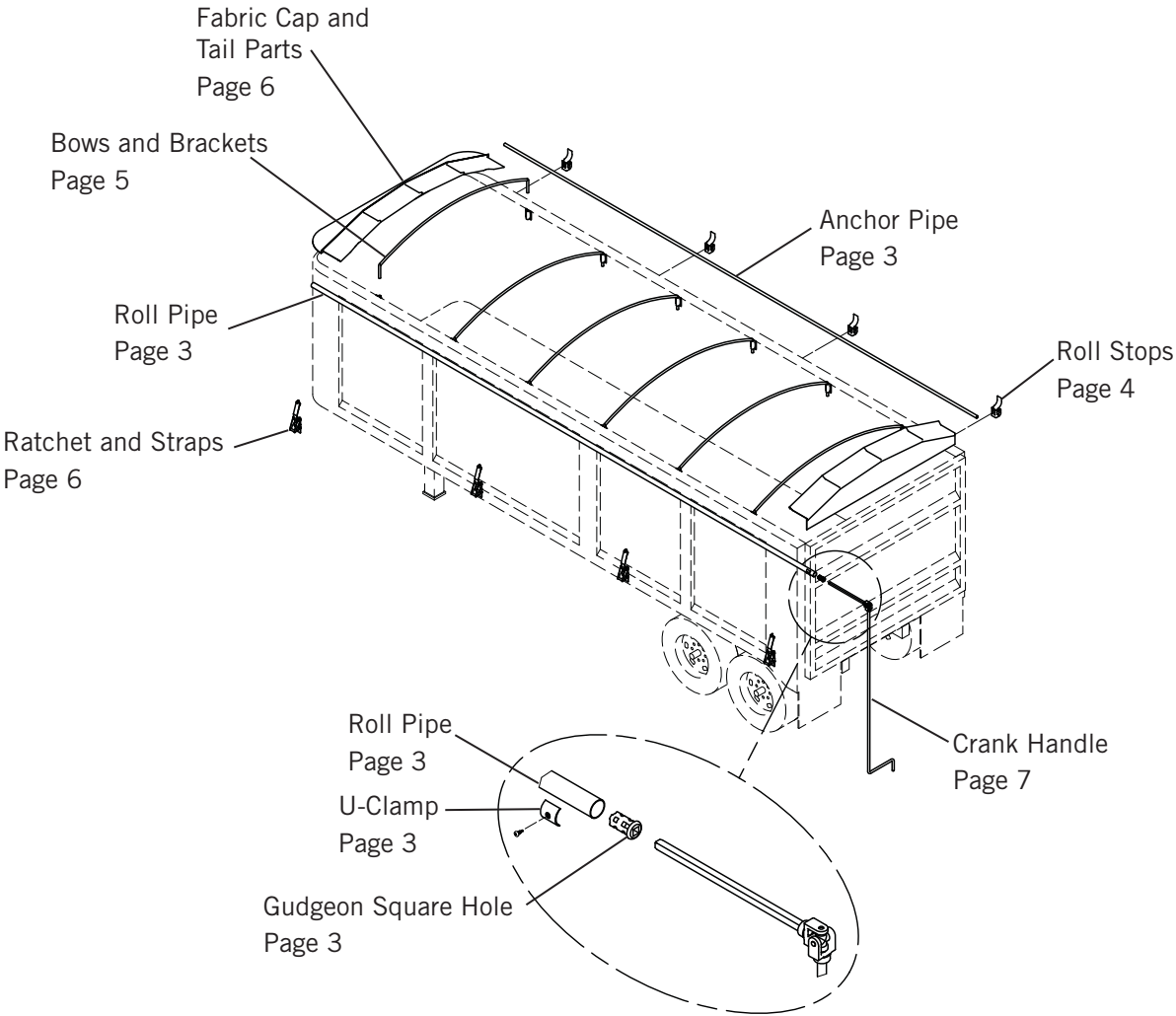
Call 800-535-9545 | www.aeroindustries.com

Indianapolis, IN | Omaha, NE | Streetsboro OH

Classic Roll Tarp

Parts List Directory

Item	Page
Roll Pipe, and Anchor Pipe	3
Roll Stops	4
Bows and Brackets	5
Fabric Cap and Tail Parts, Trough and Bracket, Ratchet & Straps	6
Classic Roll Tarp Crank Handles, Crank Retainers, Roll Pipe Deflector	7

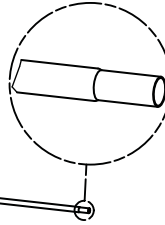


Classic Roll Tarp

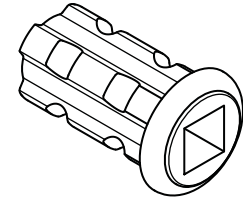
Parts List

Roll Pipe 2" dia W/ Swedge Galvanized Tube

Also used for Ridge Pipe



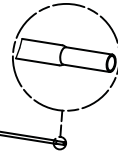
Part No.	Description
1040-860404	Roll Pipe 2" - 8'
1040-860403	Roll Pipe 2" - 12'
1040-960197	Roll Pipe 2" - 24'



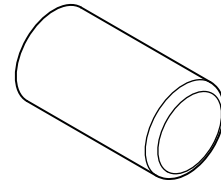
1040-860162
Gudgeon Steel SQ Hole
Classic Roll Tarp

Anchor Pipe 1.125" dia W/ Swedge Galvanized Tube

Part No.	Description
1040-860406	Fixed Tarp Tube 1.125" - 8'
1040-860405	Fixed Tarp Tube 1.125" - 12'
1040-860165	Fixed Tarp Tube 1.125" - 24'

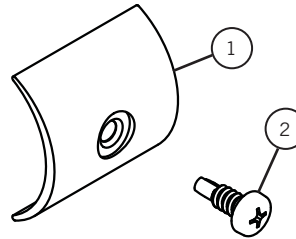


Cap for end of pipes



0765-617830
Rubber Cup-Anchor 1-1/8" Pipe

No.	Part No.	Description
1	1040-860129	U-Clamp
2	0825-650540	14 x 1 PPH, Self Drilling

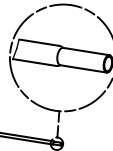


U-Clamp and Screw on every strap (30")

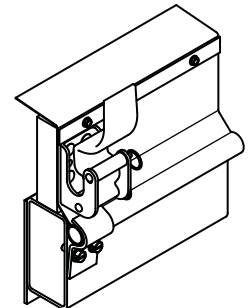
0765-617831
Rubber Cap, 2" Pipe
1018-860018
CAP, RIDGE POLE 1.5IDX8"

Roll Pipe 1.51" dia W/ Swedge Galvanized Tube

Part No.	Description
1018-860205	RIDGE-PIPE-SPLIT-12'
1018-860204	RIDGE-PIPE-SPLIT-16'
1018-860203	RIDGE-PIPE-SPLIT-20'



0825-650540
14 x 1 PPH, Self Drilling



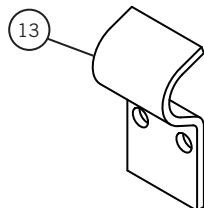
Side Board Mounting Hardware

Secure Tarp to Side Board

No.	Part No.	Description
1	1315-150165	1/8" x 1" x 12' FLAT ALUMINUM
2	0810-651327	BOLT HEX LAG 1/4 X 1-1/2

Secure Components to Side Board

No.	Part No.	Description
3	0810-650525	5/16 X 2-1/2 CARRIAGE BOLT
4	0820-680510	5/16 FLAT WASHER
5	0820-680520	5/16 LOCK WASHER
6	0815-660510	5/16 HEX NUT



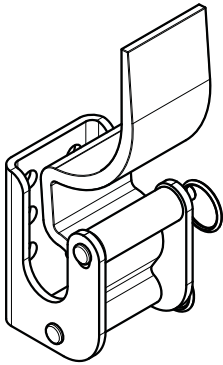
Secure Anchor Pipe to Top Rail

No.	Part No.	Description
13	1001-861323	CLAMP, ANCHOR PIPE
14	0825-650621	3/8 X 1 TYPE F HWH BOLT

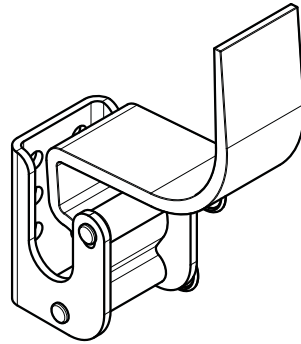
Classic Roll Tarp

Parts List

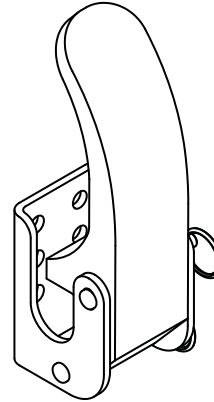
Roll Stops



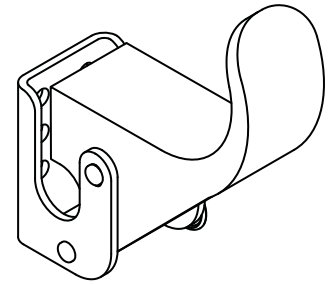
1040-960217
Easy Off 3" Roll Stop
Assembly Extruded



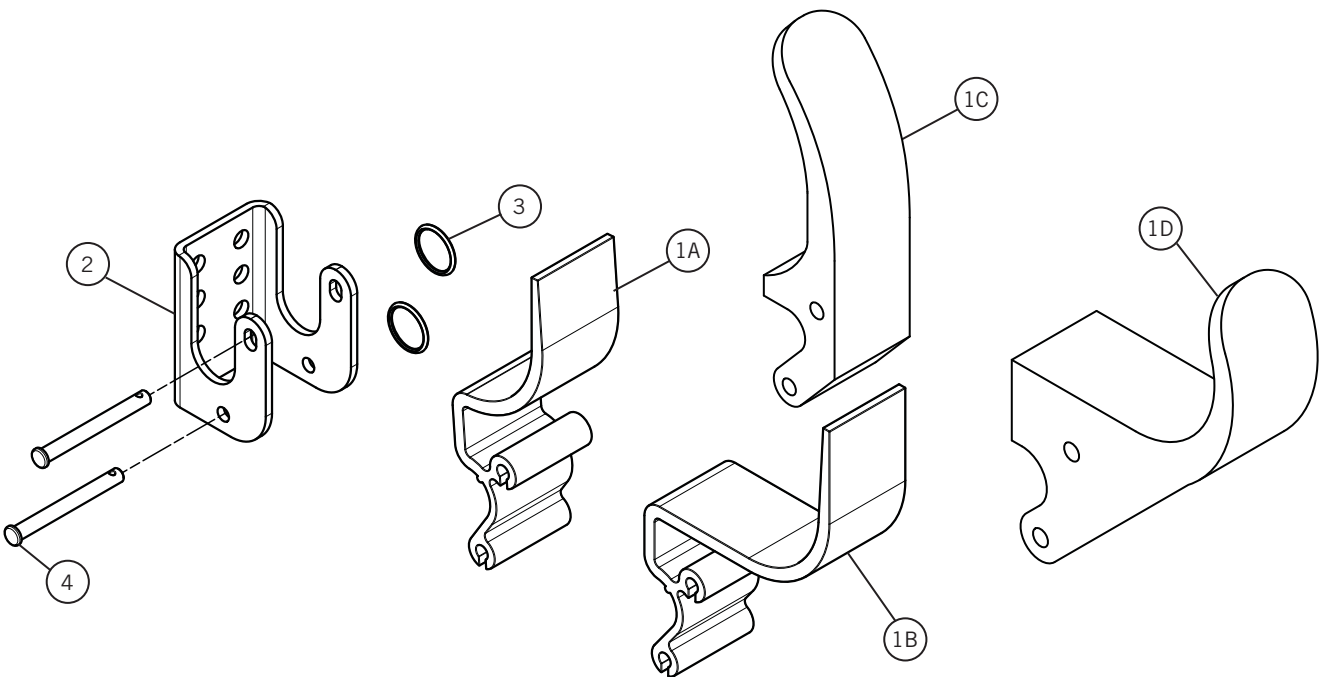
1040-960218
Easy Off 6" Roll Stop
Assembly Extruded



1040-960219
Easy Off Roll Stop 3"
Assembly Urethane



1040-960220
Easy Off Roll Stop 6"
Assembly Urethane



No.	Part No.	Description
1A	1040-860184	Roll Stop 3" Offset Extruded
1B	1040-860185	Roll Stop 6" Offset Extruded
1C	1040-860189	Easy Off 3" Roll Stop URE
1D	1040-860200	Easy Off 6" Roll Stop URE
2	1040-860121	Easy Off Roll Stop Body
3	0835-618500	Circle Pin .074 x 1 1/8
4	0835-619640	Clevis Pin 5/16 x 3

Classic Roll Tarp

Parts List

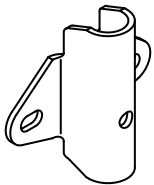
Bows and Bracket



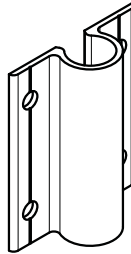
0108-960250
Adjustable Bow Assembly Steel
10"-12" Rise and 83"-93" Center To Center



0108-960251
Adjustable Bow Assembly Steel
12"-16" Rise and 93"-103" Center To Center

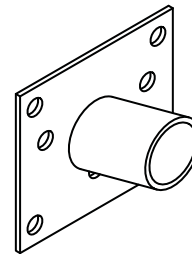


1040-860187
Bow Pocket Steel

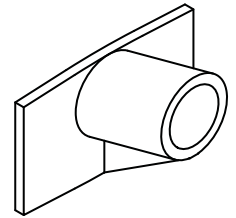


1038-860499
Bow Pocket Aluminum

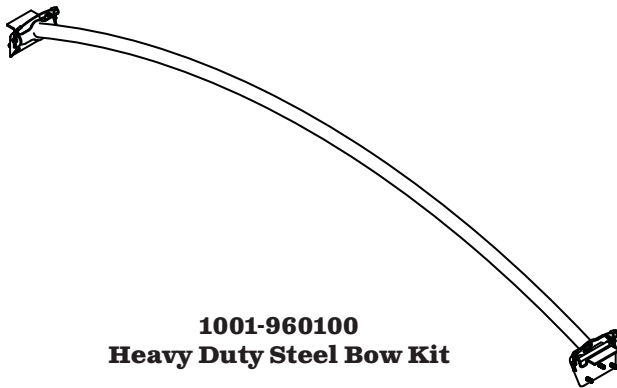
Bow Brackets are mounted with (4)
0825-650621 – 3/8 x 1 Type F



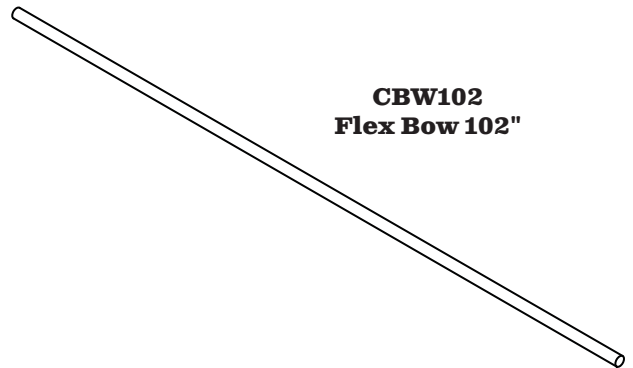
BA2500
Bow Holder Stl
For Flex Bows



BH2A00
Bow Holder Al
For Flex Bows
Can be welded on

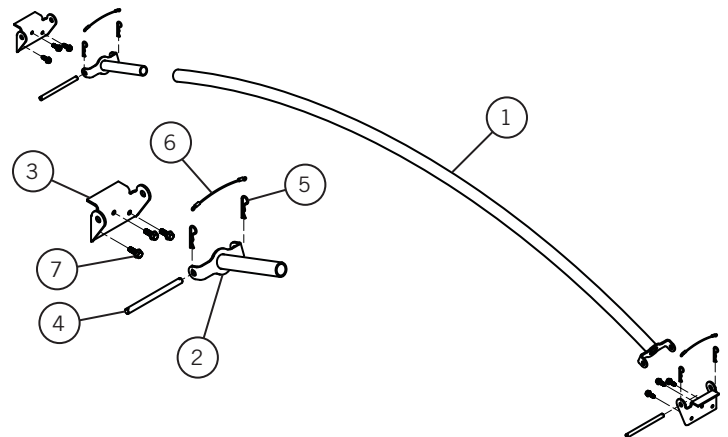


1001-960100
Heavy Duty Steel Bow Kit



CBW102
Flex Bow 102"

No.	Part No.	Description
1	1001-960101	Heavy Duty Steel Bow Assembly
2	1001-960102	Swivel Bracket Assembly
3	1001-860100	Swivel Bracket Base
4	1001-860103	Headless Pin
5	0835-691723	Locking Cotter Pin
6	0760-603123	Lanyard Nylon .093" x 8"
7	0825-650621	3/8 x 1 HWH Type F



Swing-Away Bow System
Call for replacement parts

Aluminum Bows
Call for replacement

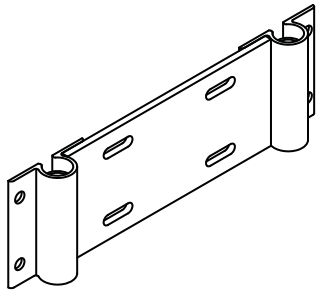
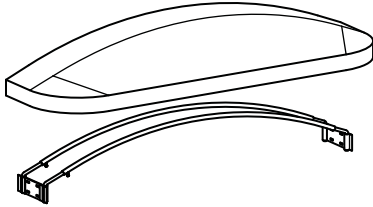
Fabric Bow Sleeve
0530-863501



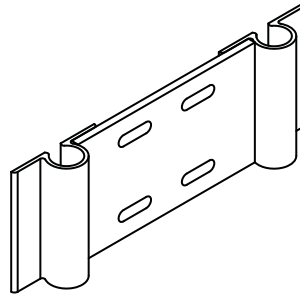
Classic Roll Tarp

Parts List

Fabric Cap and Tail Parts



1040-960225
Bow Pocket Fabric Front
W/ Insert

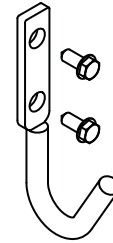


1040-960175
Bow Pocket Fabric Front

Brackets is mounted with (4)
0825-650621 – 3/8 x 1 Type F

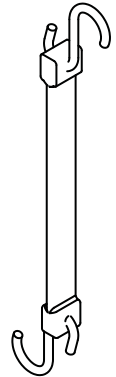


1040-860163
Bow Tie Bar



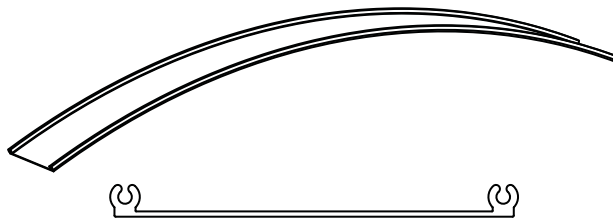
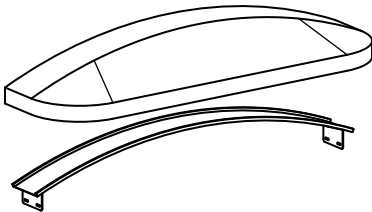
0730-612360
Hook "J" Tarp

Bracket is mounted with (2)
0825-670360 – 14 x 1 TEK

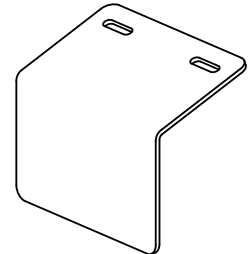


1545-619866
Strap Assembly
Tarp 24"

Trough and Bracket



1040-860251
Trough Extrusion Rolled
12" Rise
102" Overall Length



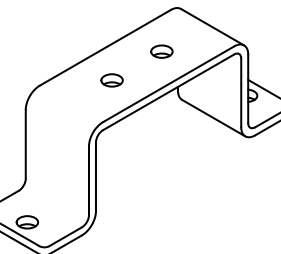
1040-860252
Angle Bracket Trough

Bracket is mounted with (2)
0825-650621 – 3/8 x 1 Type F

Ratchet and Straps



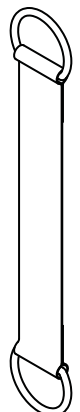
1001-960432
Ratchet Assembly
2" without Hook



1011-861191
Ratchet Bracket 2"
Stand-Off



1001-960431
Ratchet Assembly
2" W/Hook

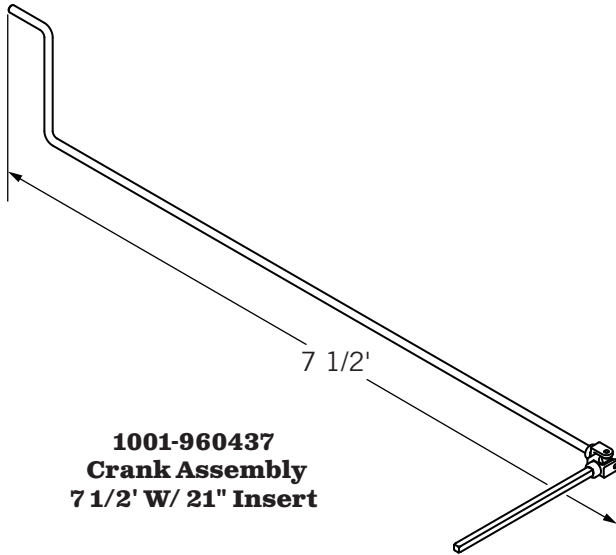


Call for Straps

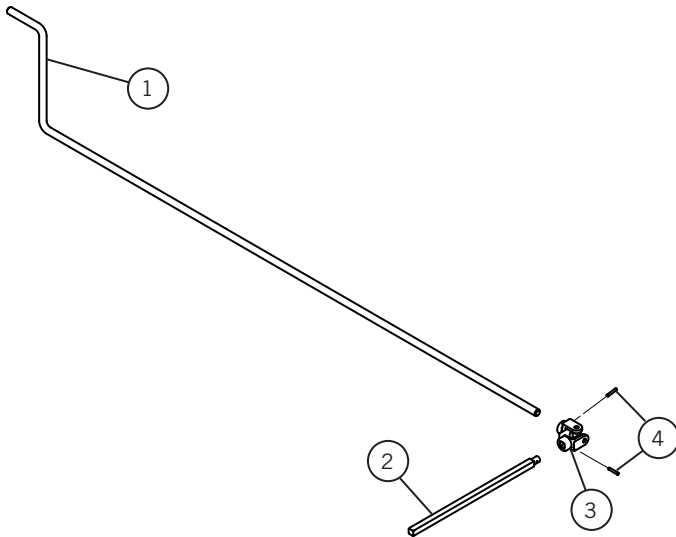
Classic Roll Tarp

Parts List

Crank Handles

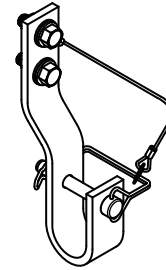


1001-960437
Crank Assembly
7 1/2' W/ 21" Insert

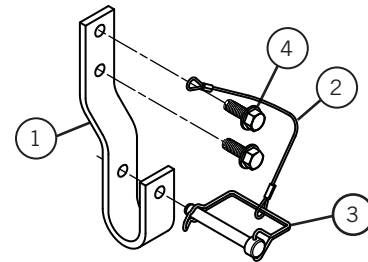


No.	Part No.	Description
1	1001-860329	Crank Handle 7 1/2'
2	1001-861171	Crank Insert 21"
3	0780-621510	U-Joint H3 Roll Kit
4	0835-691614	1/4 x 1 1/2 Spring Pin

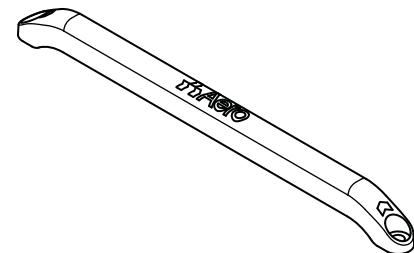
Crank Retainers Used



1040-960106
Crank Retainer Offset



No.	Part No.	Description
1	1040-860116	Offset Crank Retaining J-Hook
2	1040-860113	Cable with Interlock Snap
3	0835-691721	Wire Lock Pin
4	0825-650621	3/8-16 x 1 Hex Washer Head Type F



1040-860158
Roll Pipe Deflector

Classic Roll Tarp



INDIANAPOLIS, IN
Indianapolis, IN 46241
800-535-9545
FAX: 317-244-1311

OMAHA, NE
Omaha, NE 68137
800-535-9545
FAX: 402-895-6129

STREETSBORO, OH
Streetsboro, OH 44241
800-535-8552
FAX: 330-626-3277

© 2014 Aero Industries, Inc.

US: 3384413, 3785694, 4657062, 6715817, 6857682, 6886879, 7032950

Canada: 2466454, 2514605, 2607746

UK: 2413119