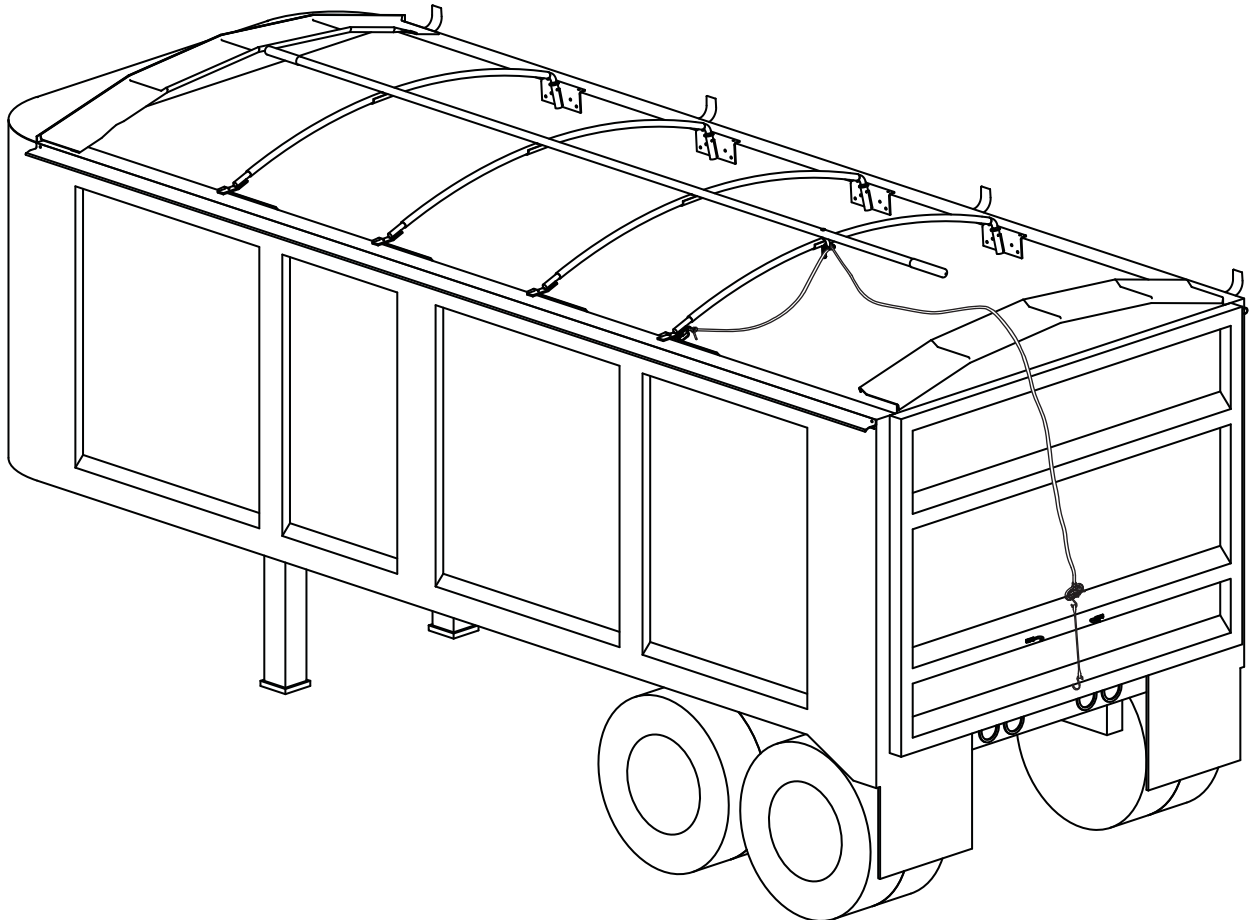




Serving the Truck & Trailer Industry  
Since 1944



# **Swing-Away Bows**

---

## **Installation Instructions**

**Attention Dealers:** Please give this owners manual to the customer when the product is delivered.

Call 800-535-9545 | [www.aeroindustries.com](http://www.aeroindustries.com)

Indianapolis, IN | Omaha, NE | Streetsboro OH

# Swing Away Bows

This manual explains how to install and maintain a Swing Away Bow system. Read this entire manual before installing and operating this product. Read all safety messages before installing and operating.

## **Installation Directory**

<b>Item</b>	<b>Step</b>	<b>Page</b>
Safety Information		3
Warranty Information		4
Locate and Attach Bow Pivot Brackets	1	5 - 6
Install Bows and Bow Rests	2	7
Install Ridge Pole	3	8 - 9
Install Rope Pull Kit	4	10
How to Maintain Swing Away Bows		11

### **Tools Required for Installation**

Marker or Felt Pen	Sockets: 5/16", 7/16", 9/16"
Tape Measure	Open End or Box Wrenches: 5/16", 7/16", 9/16"
Protractor	Phillips: #3
Awl	Electric or Air Drill
Hammer	Welder
Saw	
Hack Saw	
Drill Bits: 9/32", 11/32"	

## Important Safety Information

### General Safety Messages

- ▲ **WARNING:** Read this entire manual before installing and operating this product. Read all safety messages before installing and operating.
  - ▲ **WARNING:** Be sure that your working platform is secure as you work on the truck. Use OSHA approved ladders or scaffolding to work above ground level.
  - ▲ **WARNING:** Always wear safety glasses during installation and operation.
  - ▲ **WARNING:** Always check for overhead obstructions before opening and closing. Do not operate under low hung power lines.
  - ▲ **WARNING:** DO NOT attempt any repairs without properly releasing spring tension.
  - ▲ **CAUTION:** Keep all clothing clear of moving parts.
  - ▲ **CAUTION:** Keep everyone clear of the area.
- 

### Explanation of Signal Words

- ▲ **DANGER:** Indicates a hazardous situation which, if not avoided will result in death or serious injury.
- ▲ **WARNING:** Indicates a hazardous situation which, if not avoided could result in death or serious injury.
- ▲ **CAUTION:** Indicates a hazardous situation which, if not avoided could result in minor or moderate injury.

▲ **IMPORTANT:** *Contains information critical to installation, operation, or warranty policy.*

**NOTICE:** *Risk of product or vehicle being damaged.*

**NOTE:** *Contains information critical to the installation or operation of this product.*

▲ **IMPORTANT:** This tarp system must have arched bows to support the tarp fabric when closed. As such, When not in use, the tarp should be fully opened to prevent moisture from collecting on the tarp surface. Failure to open tarp could cause damage to the tarp system and will not be covered by warranty.

# Swing Away Bows

## **Aero Warranty**

Aero Industries, Inc. Warrants all of its mechanisms and liner products to be free from defects in material and workmanship for a period of twelve (12) months from the date of invoice, and warrants all tarpaulins to be free from defects in material and workmanship for a period of six (6) Months from the date of invoice.

## **Terms, Conditions, and Instructions**

Aero Industries shall be the sole judge of determining if a product or component's failure is due to a defect in material or workmanship, and by extension, determining if a product will be covered under this Warranty Policy. Further, Aero Industries reserves the right to refuse to warrant any products that were not installed in strict accordance with Aero's written installation manuals or have been modified. Damage due to normal wear and usage, will also not be covered under this Warranty Policy. This warranty is effective only if the product is properly installed, maintained, and used for its intended purpose.

Prior to returning a product or component to Aero Industries for warranty consideration, you must contact Aero's Customer Service at 1-800-535-9545 (extension 1968) to get a Return Material Authorization (RMA) number. Items received without a RMA number clearly marked on the shipment will be refused.

In addition, Aero Industries must approve in writing any costs related to a warranty claim in advance of any work being performed by a party other than Aero Industries. As such, Aero Industries will not be responsible for any charges or costs incurred that were not previously approved in writing.

All warranties are limited to repairing or, at Aero's option, replacing any component that is deemed defective. Aero shall not be liable for labor to replace any part found defective. Aero shall not be liable, under any circumstances, for any consequential, incidental or indirect damages or expenses associated with the warranted product.

**Customer:** If you have any concerns or questions prior to the installation of this product, please call our Customer Service at 1-800-535-9545.

# Swing Away Bows

## Installation Instructions

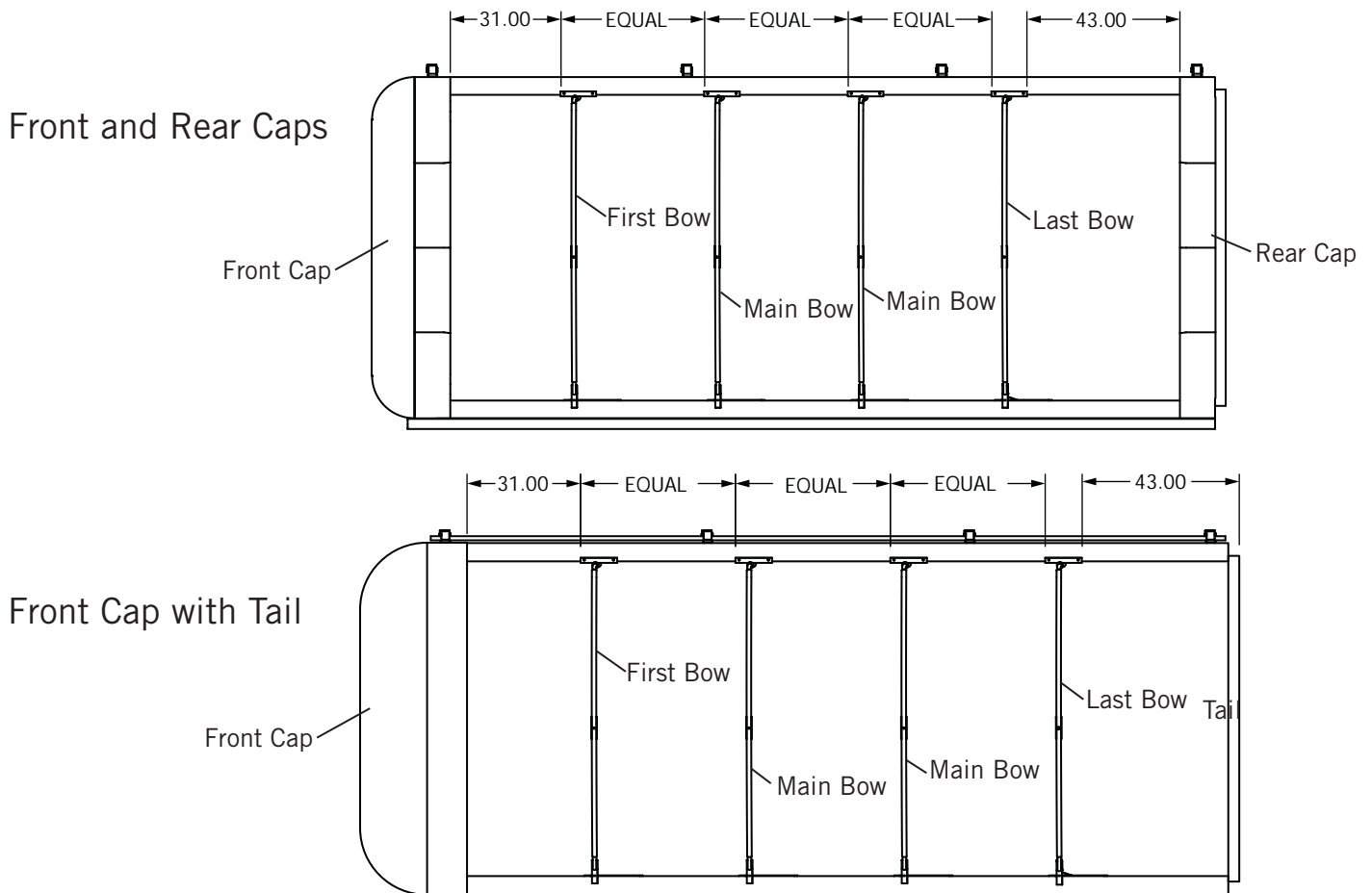
### Step 1

#### Locate and Attach Bow Pivot Brackets

**⚠ IMPORTANT:** Installations on trailers with side boards may not work properly.

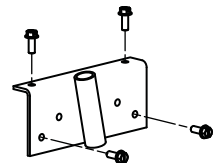
**Note:** Front and rear caps should already be installed.

**Note:** It's best if front and rear cap is 2" lower than Swing-Away bows.



**Figure 1**

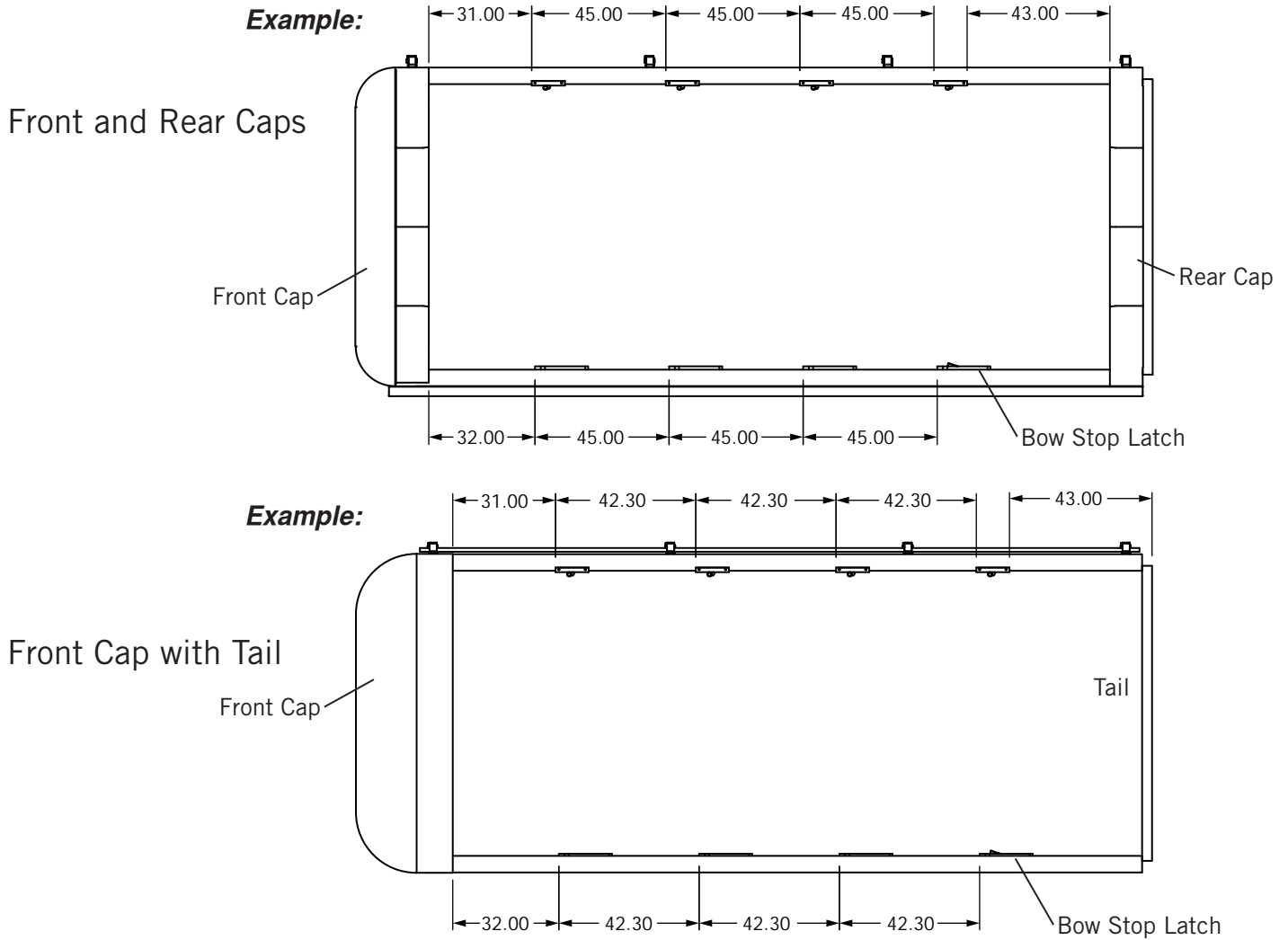
- 1) See **Figure 1**. On Passenger side of trailer locate and mark first bow pivot bracket 31" from the front cap to the front of the bracket (36" to center of the bracket).
- 2) Locate and mark the last bow pivot bracket 43" from the rear cap to the back of the bracket.
- 3) Locate and mark remaining bow pivot brackets evenly spacing them between the first and last brackets (48" to center of the bracket).
- 4) See **Figure 2**. Secure bow pivot brackets using 3/8" x 1" HWH type F screws through the bracket into the top of the rail and through either the upper or lower on the side of the bracket.



**Figure 2**

# Swing Away Bows

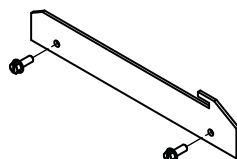
## Installation Instructions



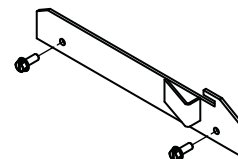
**Figure 3**

- 5) See **Figure 3**. Measure from the front cap to the front of the bow pivot bracket, which should be approximately 31". Mark and locate on the driver side the bow stop bracket 32" (31" + 1") back from the front cap.
- 6) See **Figure 3**. Using the bow spacing used to space the bow pivot brackets, mark and locate the other bow stops. The last bracket should be the latch. Check the dimension to the last bracket to make sure both sides match.
- 4) See **Figure 4 & 5**. Secure bow stop brackets using 3/8" x 1" HWH type F screws through the bracket into the top of the rail and through either the upper or lower on the side of the bracket.

**Note:** It may be necessary to put the bow stop/latch as the next to last stop due to obstructions.



**Figure 4**



**Figure 5**

# Swing Away Bows

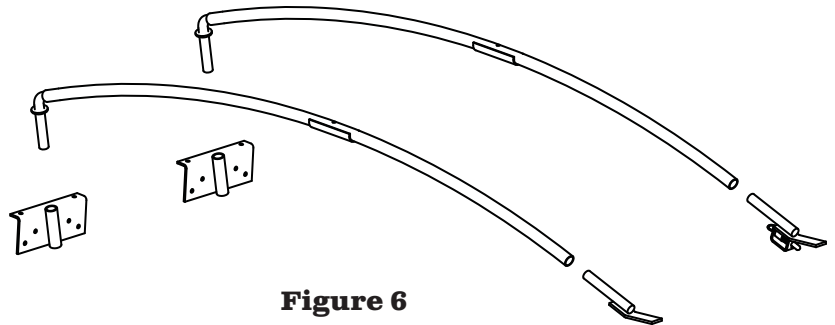
## Installation Instructions

### Step 2

#### Install Bows and Bow Rests

**Note:** Install last bow first, front bow second and then main bows.

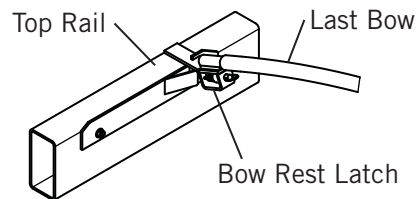
- 1) Lubricate bow pivot brackets and insert bow.



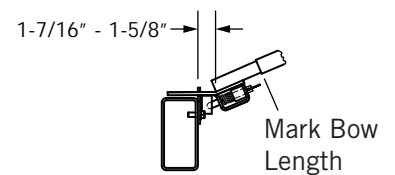
**Figure 6**

**CAUTION:** DO NOT lubricate if you intend to haul fertilizers or hazardous material. Explosive chemical reaction could occur.

- 2) See Figures 7 & 8. Determine bow length for the latch pin and cut

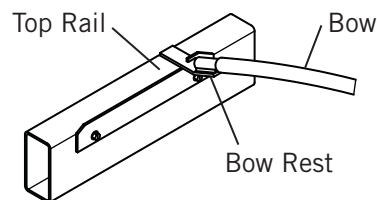


**Figure 7**

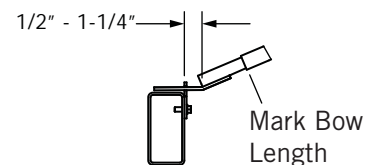


**Figure 8**

- 3) See Figures 9 & 10. Determine bow length of other bows and cut

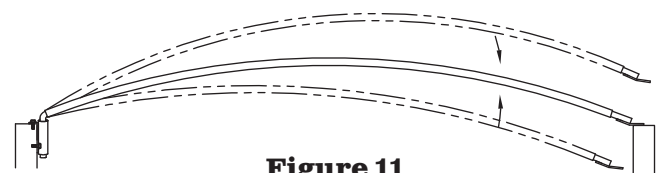


**Figure 9**



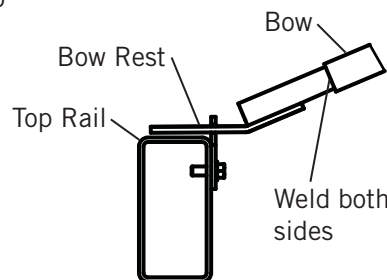
**Figure 10**

- 4) See Figure 11. Make sure the bow rest slide smoothly into bow stop. Adjust bow by lifting up or pushing down on the bow.

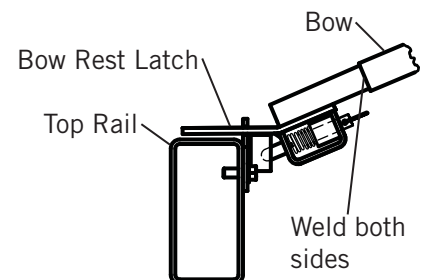


**Figure 11**

- 5) See Figures 12 & 13. Weld bow rest into bow with 1/2\" data-bbox="112 784 430 846"/>



**Figure 12**



**Figure 13**

# Swing Away Bows

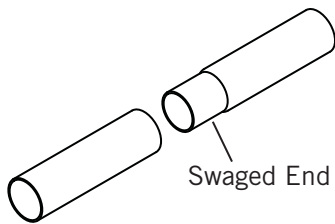
## Installation Instructions

### Step 3

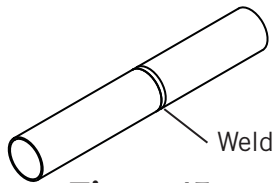
#### Install Ridge Pole

*Note: Install ridge pole in the following manner so bows will open to the fullest extent. Bows may set at a slight angle across truck when closed.*

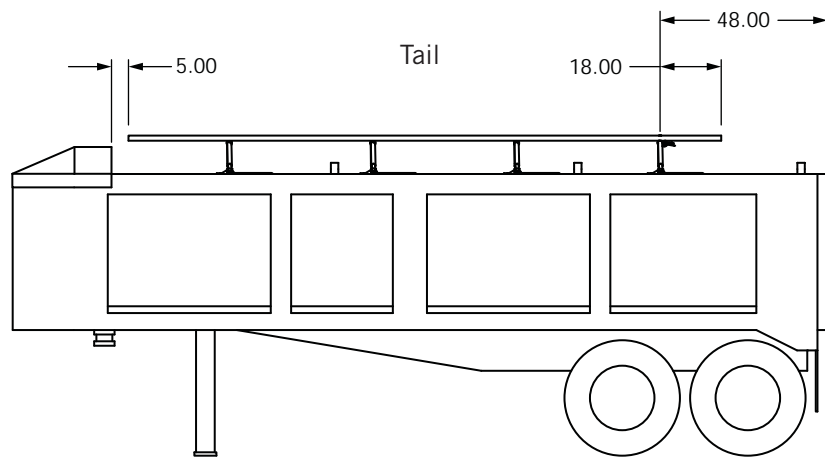
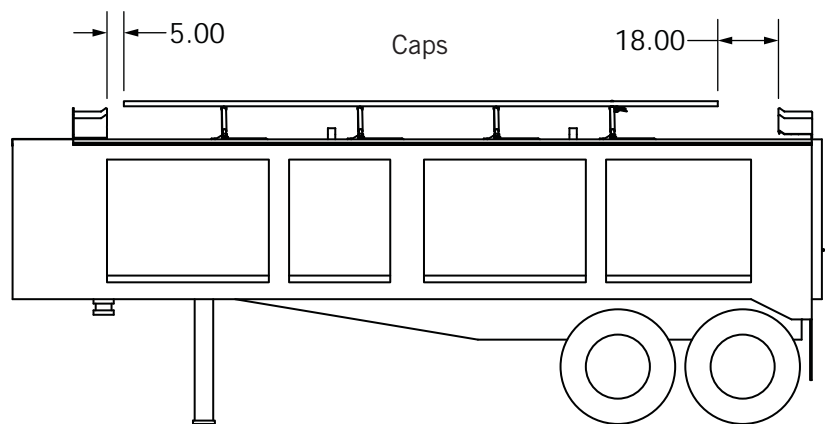
- 1) See Figures 14 & 15. When more than one ridge pole is used, insert swaged end of one ridge pole into the end of the other ridge pole. Push firmly together, weld and grind smooth. Touch up with corrosion-resistant paint.



**Figure 14**



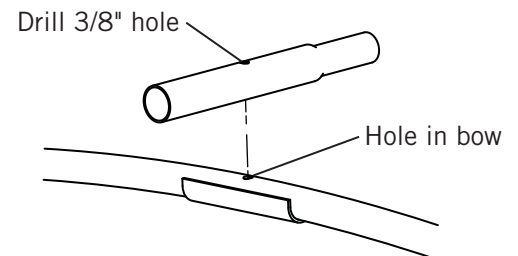
**Figure 15**



**Figure 16**

*Note: Set all bows in the closed position with the bow rest against the bow stop.*

- 2) See Figures 16 & 17. Center ridge pole across bows and place 5" from back of front cap, with swaged end of ridge pole at the rear of the trailer. Locate hole on bow and mark then drill a 3/8" hole in ridge pole. Only at the first bow.



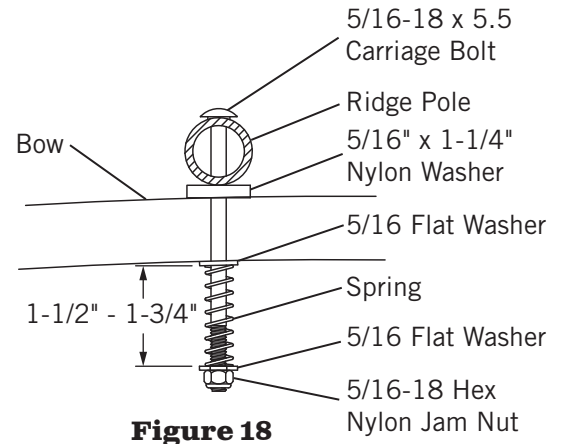
**Figure 17**



# Swing Away Bows

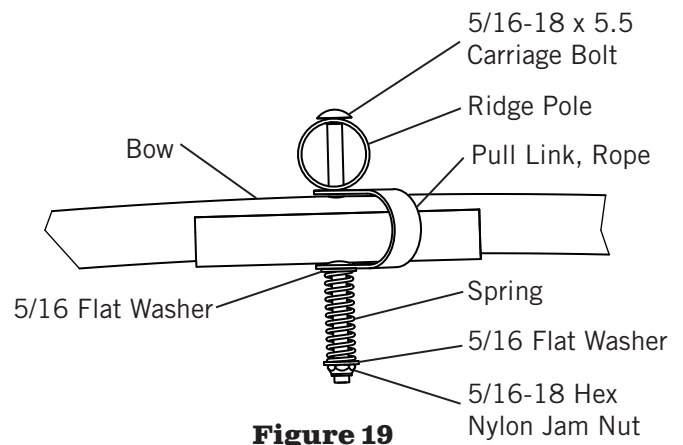
## Installation Instructions

- 3) See **Figure 18**. Fasten ridge pole to first bow with hardware shown. Lightly tap head of carriage bolt to seat into ridge pole.
- 4) Repeat at the second bow drilling a 3/8" hole and attaching the ridge pole to the bow with the hardware shown. Repeat for each remaining bow except for the latching bow.



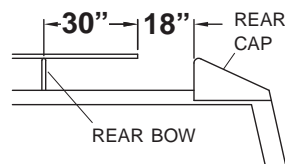
**Figure 18**

- 5) See **Figure 19**. Mark and drill 3/8" hole at latching bow. Fasten ridge pole to latching bow with rope pull link and quick link.

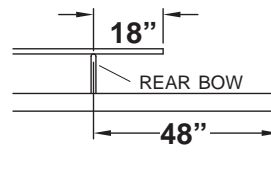


**Figure 19**

- 6) See **Figures 20 & 21**. Cut ridge pole to 18" in front of rear cap. Tarp with a tail cut ridgepole 30" from tailgate.



**Figure 20**



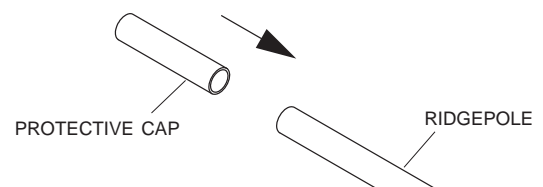
**Figure 21**



**Optional**

**Note:** The Ridge Pole can be bent downward angle at the front and the rear to reduce wear on the tarp.

- 7) See **Figure 22**. Install protective caps over ends of ridge pole.



**Figure 22**

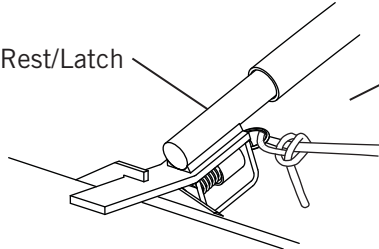
# Swing Away Bows

## Installation Instructions

### Step 4

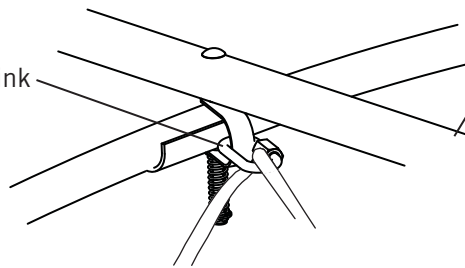
#### Install Rope Pull Kit

Bow Rest/Latch

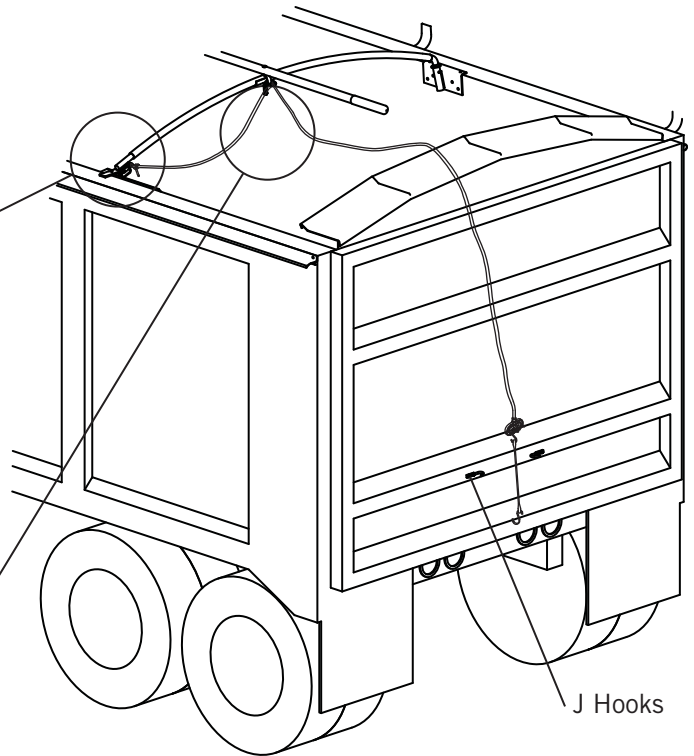


**Figure 25**

Quick Link

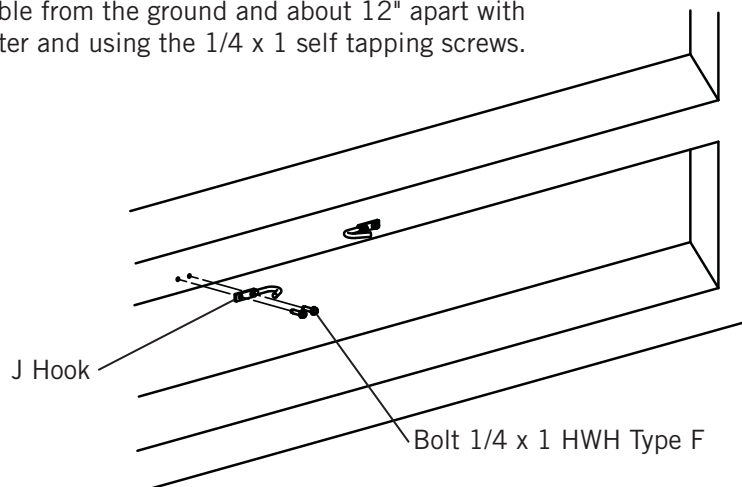


**Figure 26**



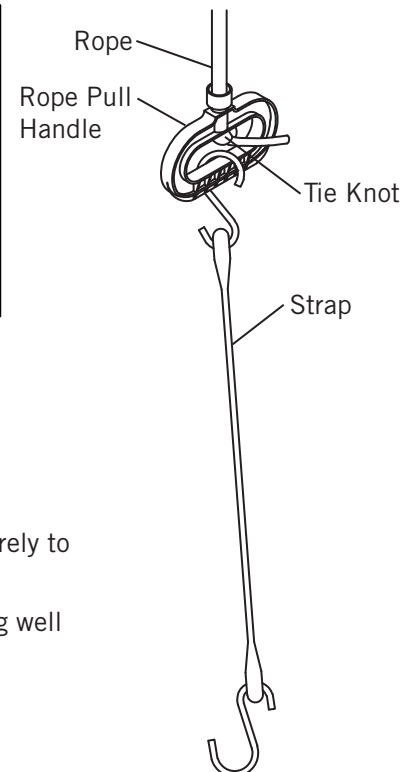
**Figure 23**

- 1) See Figures 23 & 24. Install the J hooks at a location easily accessible from the ground and about 12" apart with J towards center and using the 1/4 x 1 self tapping screws.



**Figure 24**

- 2) See Figures 25 & 26. Insert rope through the quick link and tie rope securely to the bow rest with latch.
- 3) See Figure 27. Make sure there is plenty of rope for the pull handle to hang well below the J hooks and insert rope through pull handle and tie knot.
- 4) See Figure 27. Hook tarp strap to pull handle.



**Figure 27**

# Swing Away Bows

## Installation Instructions

### How to Maintain Swing Away Bows

Minimal maintenance is required. Individual usage and operating conditions will determine when to inspect your tarp system. Aero Industries recommends a weekly inspection of the following items:

- ☑ Screws: Make sure all mounting bolts and screws are in place and tight and that no parts are worn or damaged.
- ☑ General: Replace all worn or broken parts immediately.

Replacement Parts may be obtained from the dealer or by contacting Aero Industries.

# Swing Away Bows



**INDIANAPOLIS, IN**  
Indianapolis, IN 46241  
800-535-9545  
FAX: 317-244-1311

**OMAHA, NE**  
Omaha, NE 68137  
800-535-9545  
FAX: 402-895-6129

**STREETSBORO, OH**  
Streetsboro, OH 44241  
800-535-8552  
FAX: 330-626-3277

© 2014 Aero Industries, Inc.

US: 3384413, 3785694, 4657062, 6715817, 6857682, 6886879, 7032950

Canada: 2466454, 2514605, 2607746

UK: 2413119