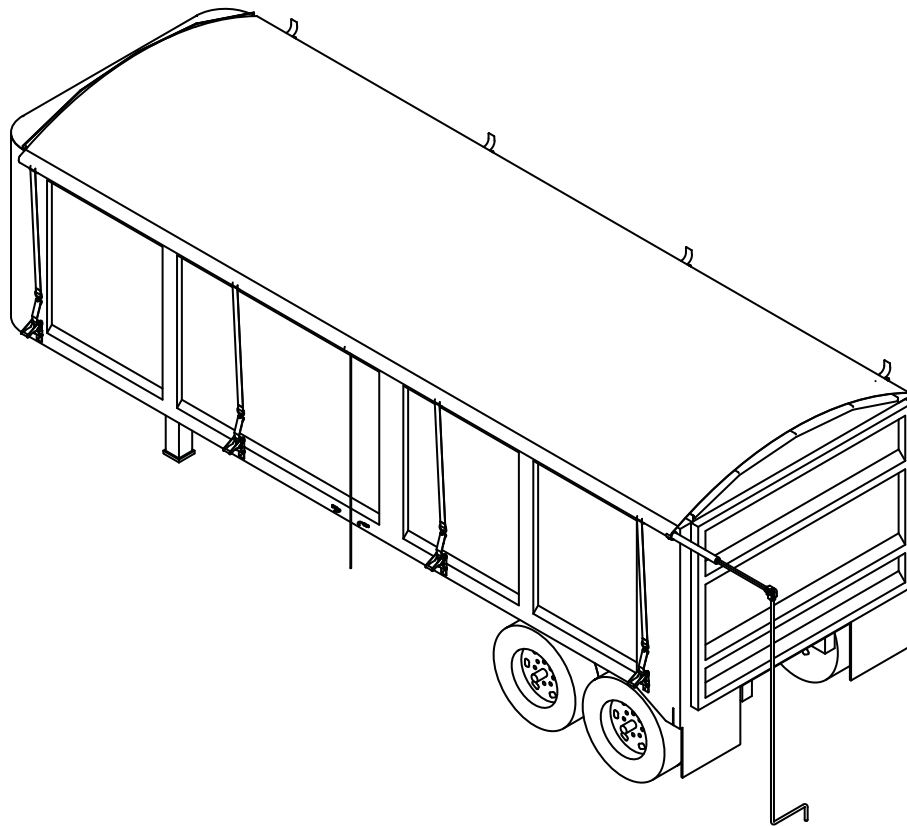




Serving the Truck & Trailer Industry
Since 1944



Classic Roll Tarp

Installation Instructions

Attention Dealers: Please give this owners manual to the customer when the product is delivered.

Call 800-535-9545 | www.aeroindustries.com

Indianapolis, IN | Omaha, NE | Streetsboro OH

Classic Roll Tarp

Installation Directory

Item	Step	Page
Safety Information		3
Warranty Information and Tools Required		4
Front Caps		
Fabric Front Cap: Mark Top Rail for Bow Placement	1a	5
Fabric Front Cap: Install Double Bow Bracket or Heavy Duty Bows	1b	6-7
Aluminum Front Cap: Install Square Nose	1c	8
Aluminum Front Cap: Install Shaped to Nose (level front)	1d	8
Rear Caps		
Fabric Rear Cap: Install Double Bow Bracket or Heavy Duty Bows	2a	9-10
Aluminum Rear Cap: Install Mounted to Tailgate	2b	11
Aluminum Rear Cap: Install with Fabric Tail	2c	11
Bows		
Marking Bow Location	3a	12
Installing Aluminum Bows	3b	13
Installing Adjustable Steel Bows	3c	13
Installing Heavy Duty Bows	3d	14
Installing Flex Bows	3e	15
Assemble Anchor Pipe and Roll Pipe	4a	16
Install Ridge Pole (Optional)	4b	16-17
Position Tarp on Trailer	4c	17
Installing Roll Stops	5	18
Cut Roll Pipe and Weld Crank Drive	6	19
Crank Storage	7	19
Install Ratchets and Straps	8	20
Secure Front Flap and Rear Tail with Rubber Straps	9	21
How to operate tarp system		22
How to maintain tarp system		23

Important Safety Information

Explanation of Signal Words

- ▲ **DANGER:** Indicates a hazardous situation which, if not avoided will result in death or serious injury.
- ▲ **WARNING:** Indicates a hazardous situation which, if not avoided could result in death or serious injury.
- ▲ **CAUTION:** Indicates a hazardous situation which, if not avoided could result in minor or moderate injury.

General Safety Messages

- ▲ **WARNING:** Read this entire manual before installing this product. Read all labels before operating.
- ▲ **WARNING:** Be sure that your working platform is secure as you work on the truck. Use OSHA approved ladders or scaffolding to work above ground level.
- ▲ **WARNING:** Always wear safety glasses during installation and operation.
- ▲ **CAUTION:** Keep all clothing clear of moving parts.
- ▲ **CAUTION:** Keep everyone clear of the area.

▲ **IMPORTANT:** *Contains information critical to installation, operation, or warranty policy.*

NOTICE: *Risk of product or vehicle being damaged.*

NOTE: *Contains information critical to the installation or operation of this product.*

▲ **IMPORTANT:** This tarp system must have arched bows to support the tarp fabric when closed. As such, When not in use, the tarp should be fully opened to prevent moisture from collecting on the tarp surface. Failure to open tarp could cause damage to the tarp system and will not be covered by warranty.

Classic Roll Tarp

This manual explains how to install and maintain a Classic Roll Tarp system.

Aero Warranty

Aero Products come with a one year warranty on all parts. It's another example of our ongoing commitment to customer satisfaction and quality.

Customer: If you have any concerns or questions prior to the installation of this product, please call our Customer Service at 1-800-535-9545.

Tools Required for Installation

Marker or Felt Pen	Sockets: 5/16", 7/16", 9/16"
Tape Measure	Open End or Box Wrenches: 5/16", 7/16", 9/16"
Protractor	Torx T40
Black Electrical Tape	Hex Key: 5/16"
Awl	Phillips: #3
Hammer	Electric or Air Drill
Hack Saw	Welder
Saw	
Drill Bits: 9/32", 11/32"	

Classic Roll Tarp

Installation Instructions

Step 1a

Fabric Front Cap: Mark Top Rail for Bow Placement

Note: If this Roll Tarp has no front and rear caps, go to Step 3.

1) Figure 1 & 2. Mark the top rail where flat on side of trailer starts. Also mark 10" from there for heavy duty bows. The dimension of the **R**adius, **D**iagonal, or **O**ffset.

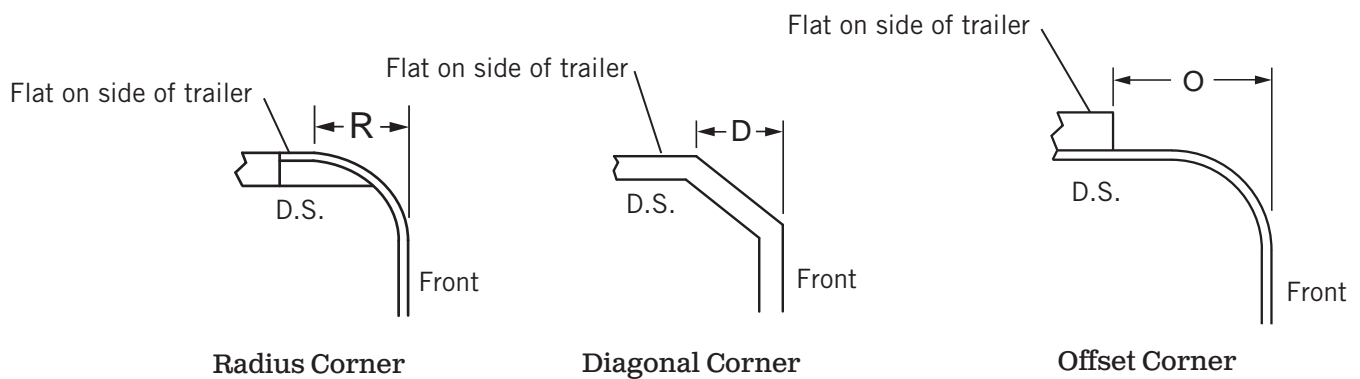


Figure 1

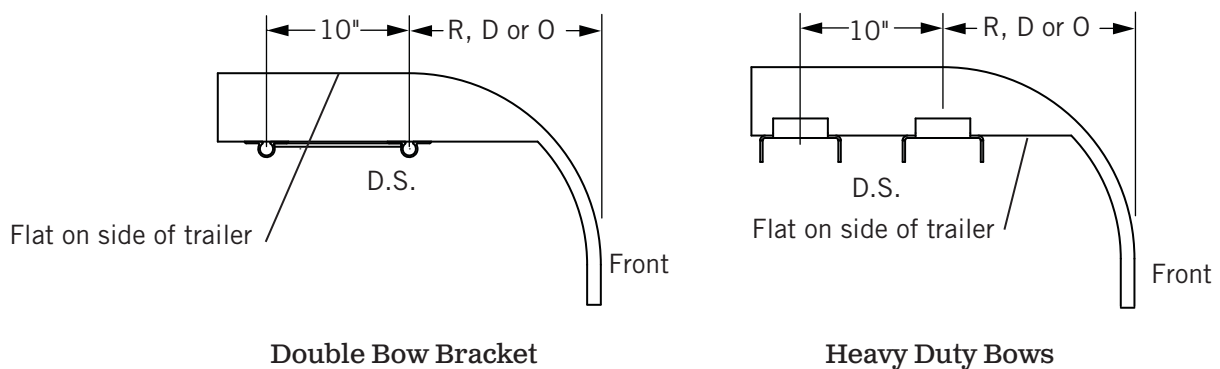


Figure 2

Classic Roll Tarp

Installation Instructions

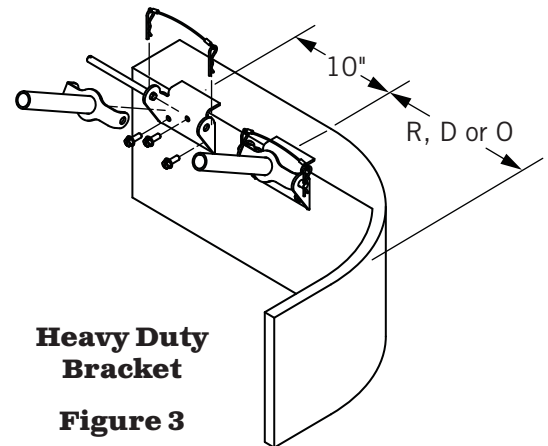
Step 1b

Fabric Front Cap: Install Double Bow Bracket or Heavy Duty Bows

Index	Description	Qty
1	Fabric Front Cap	1
2	Heavy Duty Bracket	4
2A	Double Bow or Double Bow W/Insert	2
3	Bows	2
4	3/8 x 1 Type F HWH	24
5	5/16 x 1-1/2 Type F Torx	15
6	Aluminum Flat Bar 1/8" x 1"	12 ft
7	Bow Tie Bar	1

Install Heavy Duty Bracket

Figure 3. Position heavy duty brackets centered on marks on top rail. Attach with 3/8 x 1 type F HWH bolts.



Install Double Bow Bracket



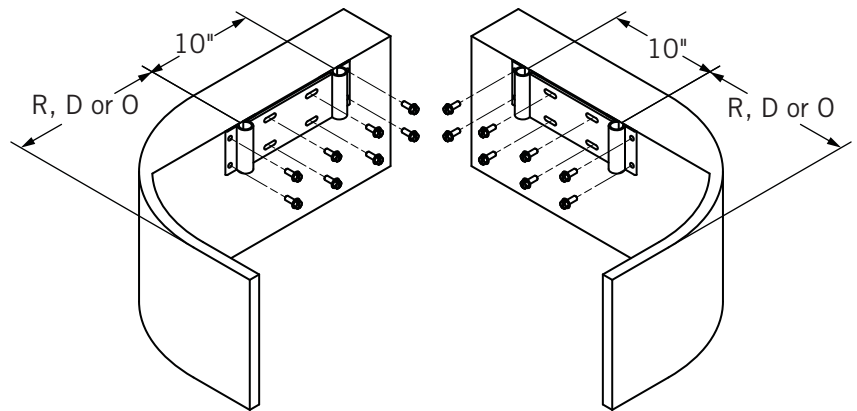
1) Figure 3. Clamp first pocket of double bow bracket centered on mark on top rail.

2) Figure 4. Position bracket as shown to reduce tarp wear.

Note: Put the bolts in the center of the slots incase pocket needs to be adjusted.

3a) Figure 3. Attach with 3/8 x 1 type F HWH bolts.

3b) Figure 5. Attach with 3/8 x 2-1/2 carriage bolts.



**Double Bow Bracket
on Passenger Side**

**Double Bow Bracket
W/Insert on Drive Side**

Install Double Bow Bracket to Sideboards

Hardware to Mount to Sideboards

Index	Description	Qty
7	5/16 X 2-1/2 CARRIAGE BOLT	16
8	5/16 FLAT WASHER	16
9	5/16 LOCK WASHER	16
10	5/16 HEX NUT	16

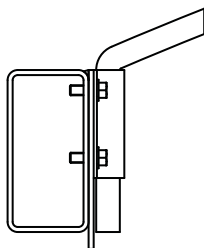


Figure 4

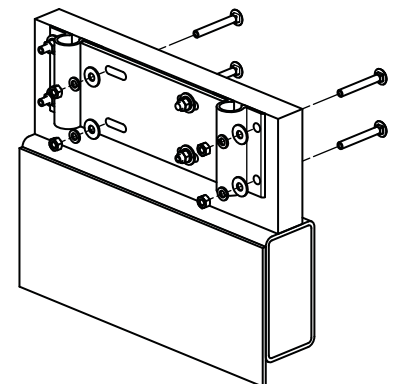


Figure 5

Classic Roll Tarp

Installation Instructions

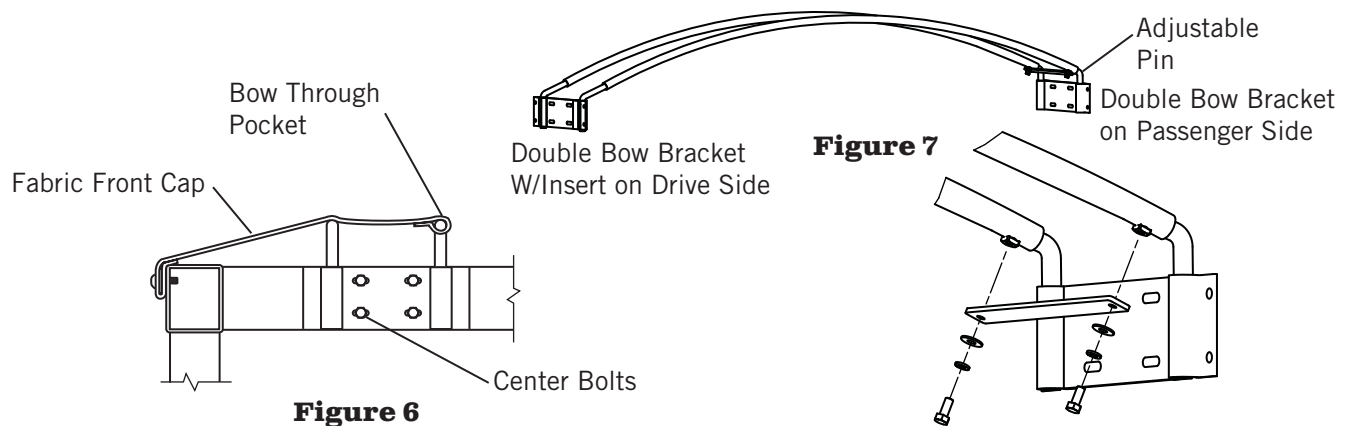
5) **Figure 6.** Feed bow through pocket of fabric cap and install on trailer. On adjustable bows remove bolt and pin. Orient the bow so the end with the removable pin is on the passenger side.

6) Install heavy duty bows per STEP 3d.

6a) **Figure 7.** Adjustable bows are tied together with the Bow Tie Bracket, flat washers, lock washers, and bolts removed in earlier step.

7) **Figure 8.** Pull cap tight over top rail.

8) **Figure 9.** Drill holes evenly spaced through aluminum flat bar and attach with 5/16 x 1-1/2 Type F Torx.



⚠ IMPORTANT: If the cap is not pulled tight, a gap with the roll tarp will allow wind to get under neath and cause wear.

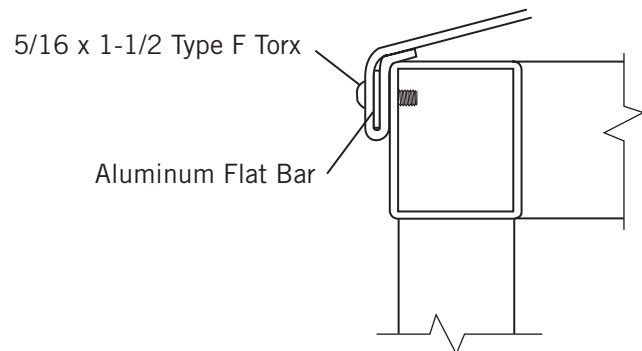
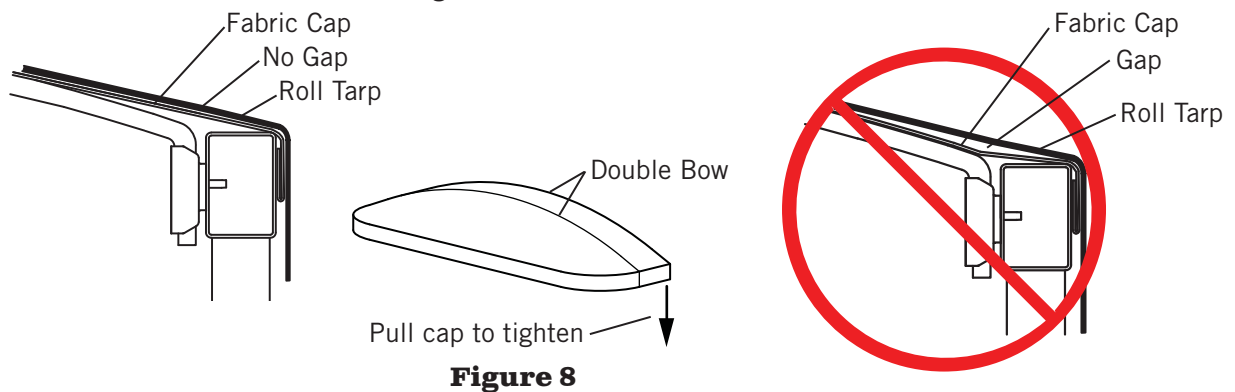


Figure 9

Classic Roll Tarp

Installation Instructions

Step 1c

Aluminum Front Cap: Install Square Nose

Index	Description	Qty
1	Front Cap Square Aluminum	1
2	3/8 x 1 Type F HWH	4

- 1) Figure 10.** Measure and make any cut-outs and place cap on trailer.
- 2)** Attach with 3/8 x 1 Type F HWH Bolts through trough into top rail.

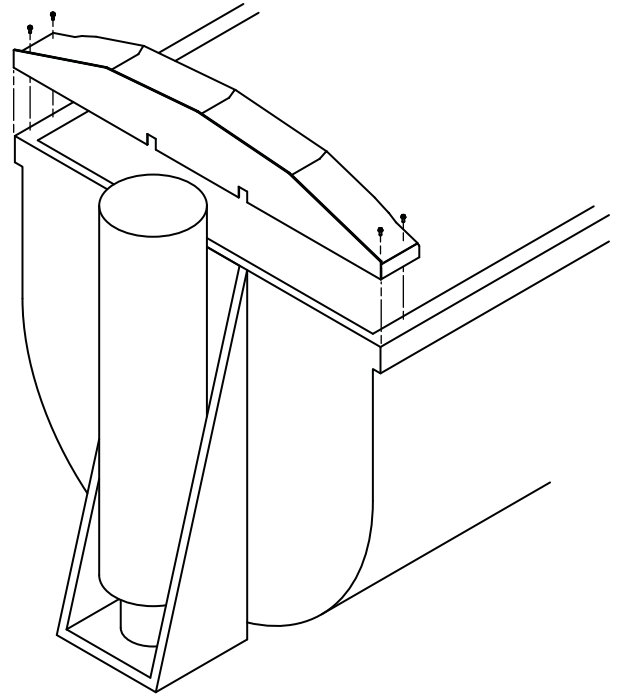


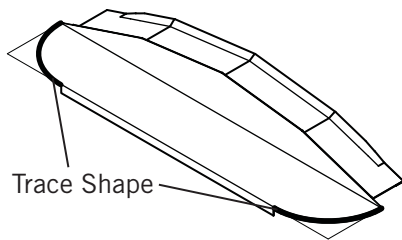
Figure 10

Step 1d

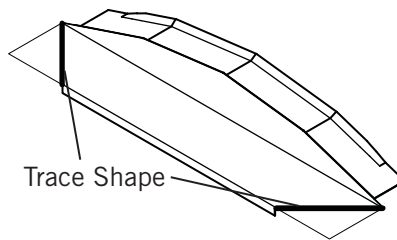
Aluminum Front Cap: Install Shaped to Nose

Index	Description	Qty
1	Front Cap Aluminum	1
2	Aluminum Strip 1/8 x 3	2
3	3/8 x 1 Type F HWH	4

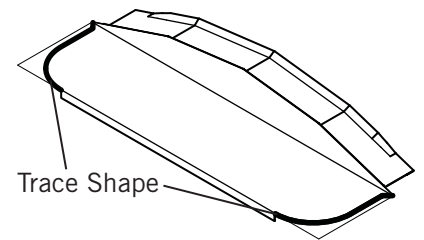
- 1)** Place cap on front of trailer, center and push lip up against the trailer.
- 2) Figure 11.** Trace the corner shape of nose onto front cap and cut-out shape



Radius Corner



Diagonal Corner



Offset Corner

Figure 11

- 3) Figure 12.** Attach with 3/8 x 1 Type F HWH Bolts through trough into top rail.
- 4) Figure 12.** Shape the aluminum strip around the corner of the trailer, mark and cut to length for both sides.
- 5) Figure 13.** Weld both pieces to the front cap.

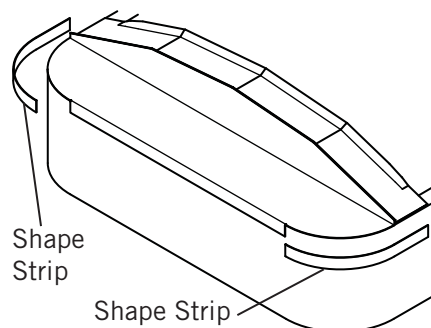


Figure 12

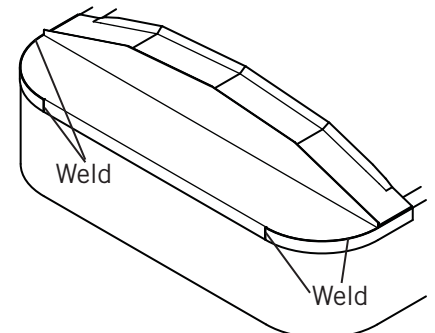


Figure 13

Classic Roll Tarp

Installation Instructions

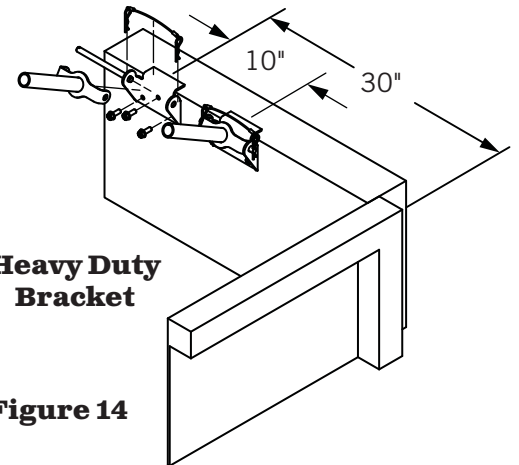
Step 2a

Fabric Rear Cap: Install Double Bow Bracket or Heavy Duty Bows

Index	Description	Qty
1	Fabric Rear Cap	1
2	Heavy Duty Bracket	4
2A	Double Bow or Double Bow W/Insert	2
3	Bows	2
4	3/8 x 1 Type F HWH	16
5	Bow Tie Bar	1

Install Heavy Duty Bracket

Figure 14. Position heavy duty brackets centered on marks on top rail. Attach with 3/8 x 1 type F HWH bolts.



Heavy Duty Bracket

Figure 14

Install Double Bow Bracket



Double Bow Bracket No Insert

Double Bow Bracket W/Insert

1) Figure 14. Measure and mark 30" from the outside of the tailgate and 10" towards the rear from the previous mark.

2) Figure 14. Clamp first pocket of double bow bracket centered on mark on top rail.

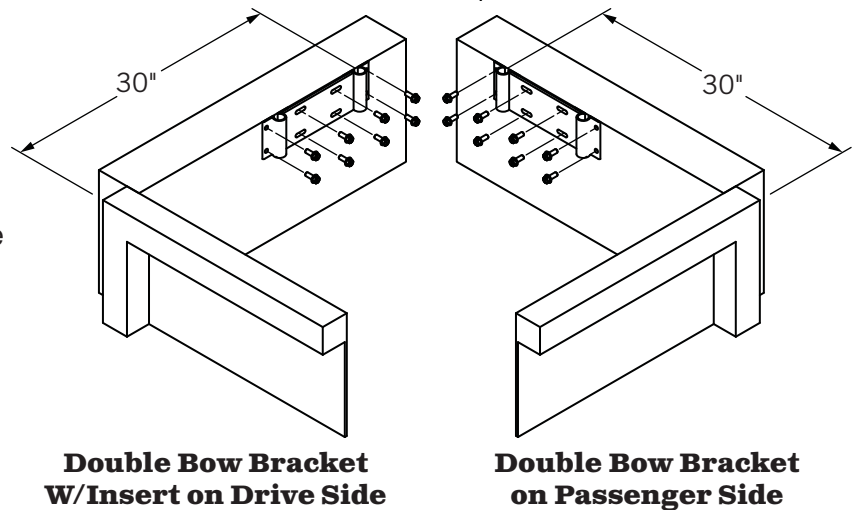
3) Figure 15. Position bracket and bow as shown to reduce tarp wear.

Note: Put the bolts in the center of the slots incase pocket needs to be adjusted.

4a) Figure 14. Attach with 3/8 x 1 type F HWH bolts.

4b) Figure 16. Attach with 3/8 x 2-1/2 carriage bolts.

Note: There may be up to 3 different widths of aluminum bows, make sure you have the right one.



Double Bow Bracket W/Insert on Drive Side

Double Bow Bracket on Passenger Side

Install Double Bow Bracket to Sideboards

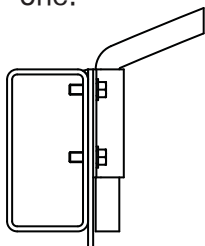


Figure 15

Hardware to Mount to Sideboards

Index	Description	Qty
7	5/16 X 2-1/2 CARRIAGE BOLT	16
8	5/16 FLAT WASHER	16
9	5/16 LOCK WASHER	16
10	5/16 HEX NUT	16

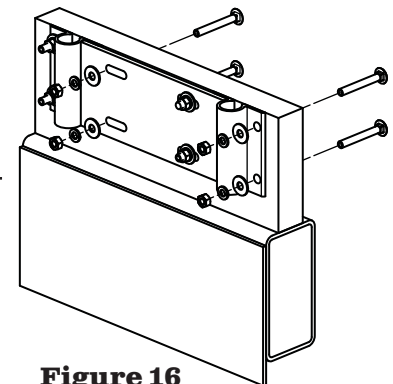


Figure 16

Classic Roll Tarp

Installation Instructions

5) **Figure 17.** Feed bow through pocket of fabric cap and install on trailer. On adjustable bows remove bolt and pin. Orient the bow so the end with the removable pin is on the passenger side.

6) Install heavy duty bows per STEP 3d.

6a) **Figure 18.** Adjustable bows are tied together with the Bow Tie Bracket, flat washers, lock washers, and bolts removed in earlier step.

7) **Figure 19.** Pull cap tight when securing with Latch Plate or Roll Stop.

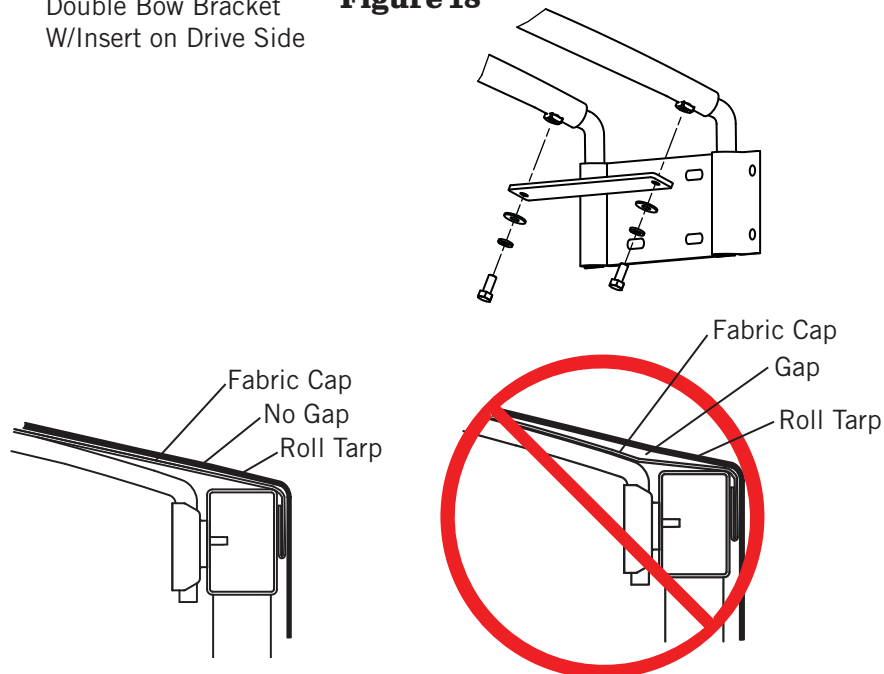
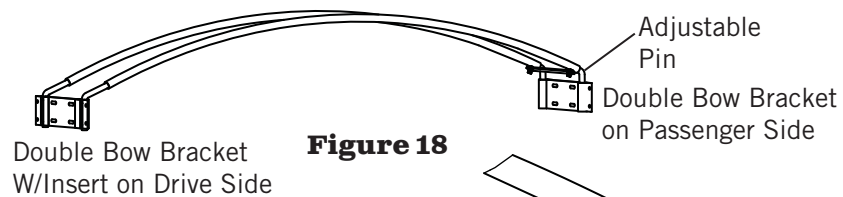
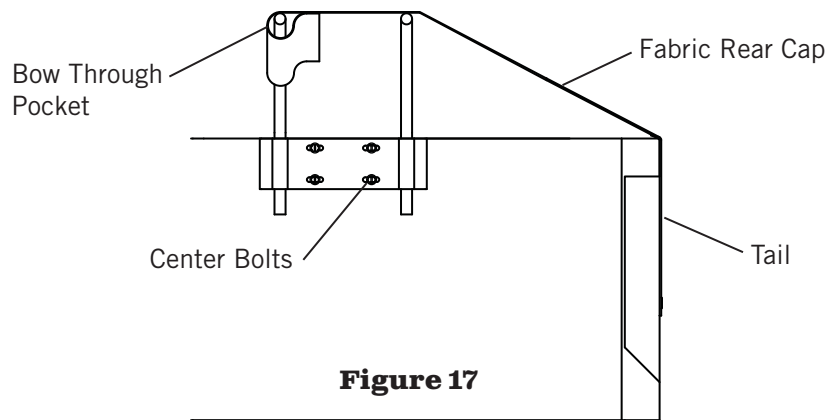


Figure 19

Classic Roll Tarp

Installation Instructions

Step 2b

Aluminum Rear Cap: Install to Mounted to Tailgate

Index	Description	Qty
1	Rear Cap Aluminum Tailgate	1
2	3/8 x 1 Type F HWH	4

1) Figure 20. Position aluminum rear cap centered on inside of tailgate with the bottom of the trough even with the side walls.

2) Drill pilot holes and secure with 3/8 x 1 Type F HWH bolts.

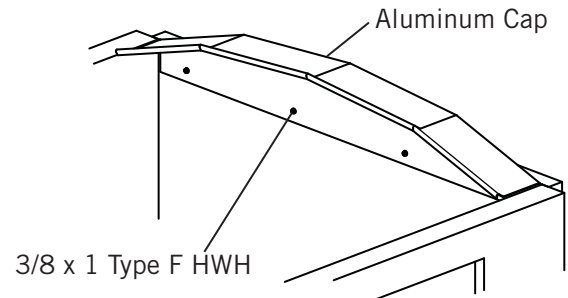


Figure 20

Step 2c

Aluminum Rear Cap: Install with Fabric Tail

Index	Description	Qty	3/8 x 1 Type F HWH
1	Rear Cap Aluminum with Tail	1	
2	Fabric Rear Tail for Aluminum Cap	1	
3	3/8 x 1 Type F HWH	4	

1) Figure 21. Position aluminum rear cap on top rail centered on width, locate the front edge of cap 20" from outside of tailgate.

2) Drill pilot holes and secure with 3/8 x 1 Type F HWH bolts.

3) Figure 22. Insert welt on tail into Keder on back of cap and center on width. Use light oil to slide welt in keder.

4) Secure tail with rubber straps. See STEP XX on installing J-hooks for straps.

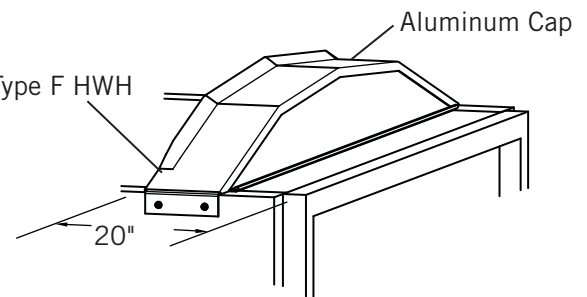


Figure 21

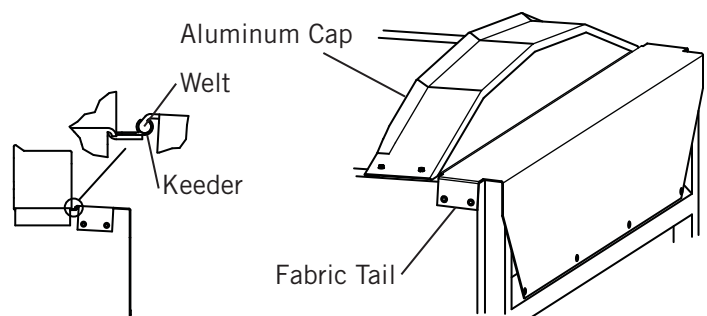


Figure 22

Classic Roll Tarp

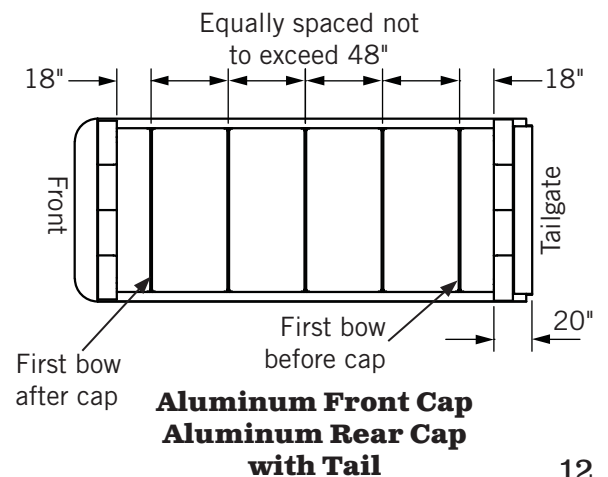
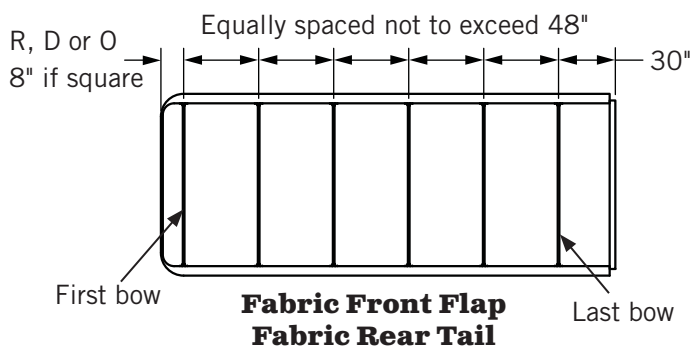
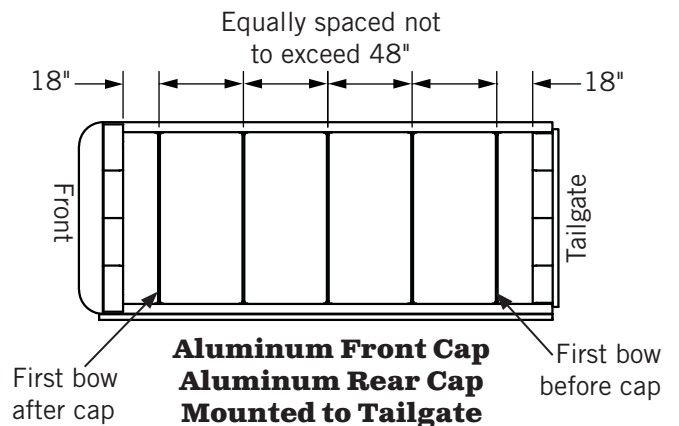
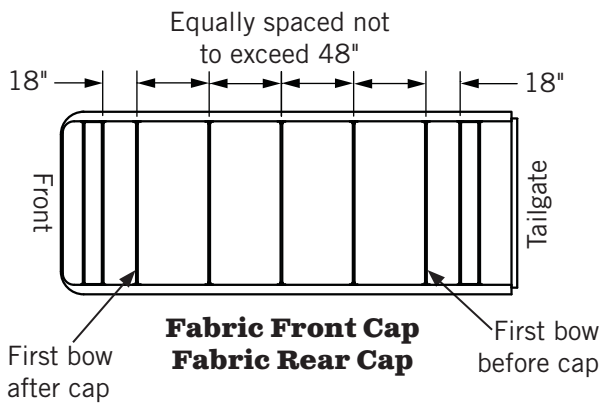
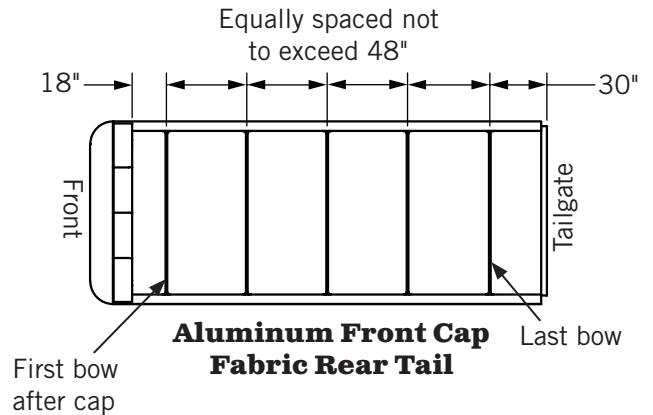
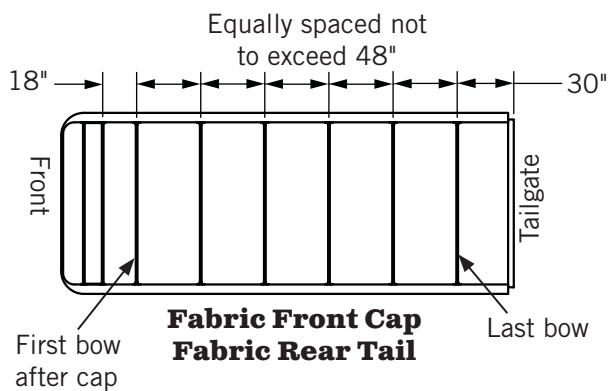
Installation Instructions

Step 3a

Marking Bow Location

1) Mark top rail according to what caps are on the trailer.

⚠ IMPORTANT: DO NOT exceed 48" spacing for bow centers. This will void the warranty.



Classic Roll Tarp

Installation Instructions

Step 3b

Installing Aluminum Bows

- 1) Figure 23.** Align aluminum pocket with marked bow location and flush with top of rail.

WELD

- 2A)** Weld down each side of pocket.

BOLT

- 2B)** Drill a pilot hole and attach with 3/8 x 1 type F HWH bolts.

- 3) Figure 24.** Insert bow into pockets.

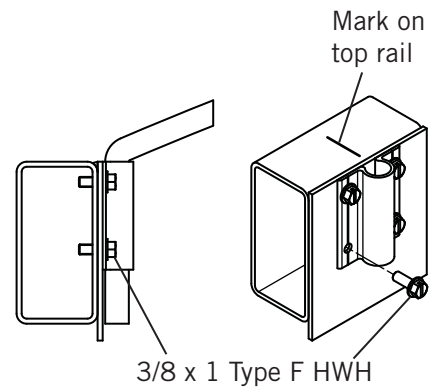


Figure 23



Figure 24

Step 3c

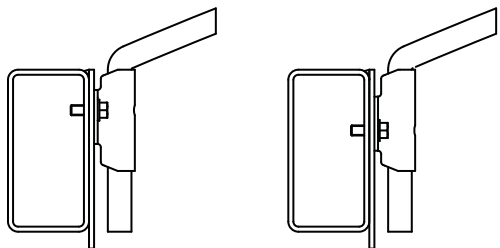
Installing Adjustable Steel Bows

- 1) Figures 25 & 26.** Align steel pocket with marked bow location and adjust height so bend in bow is even with the top rail.

- 2a) Figure 26.** Drill a pilot hole and attach with 3/8 x 1 type F HWH bolts.

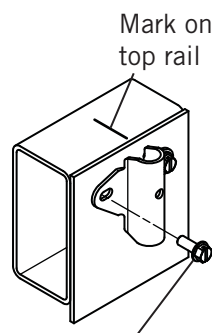
- 2b) Figure 27.** Drill a pilot hole and attach with 3/8 x 1 type F HWH bolts.

- 3) Figure 28.** Loosen set screw on bow. Insert bow into pockets into one pocket and adjust width and insert in other pocket and tighten set screw.



Bracket can be positioned high or low

Figure 25



3/8 x 1 Type F HWH

Figure 26

Install Bow Bracket to Sideboards

Hardware to Mount to Sideboards

Index	Description	Qty
7	5/16 X 2-1/2 CARRIAGE BOLT	8
8	5/16 FLAT WASHER	8
9	5/16 LOCK WASHER	8
10	5/16 HEX NUT	8

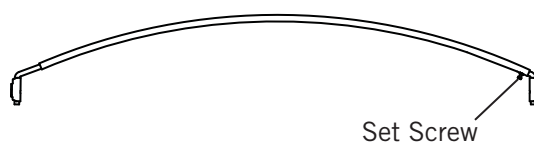


Figure 28

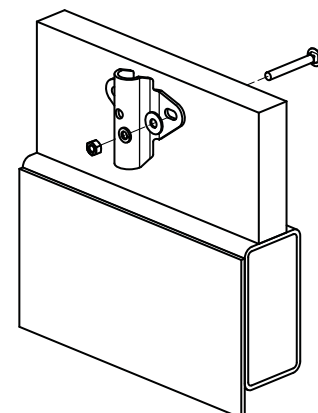


Figure 26

Classic Roll Tarp

Installation Instructions

Step 3d

Installing Heavy Duty Bows

- 1) Figures 29 & 30.** Align bracket with marked bow location and place on top of rail.
- 2) Figure 30.** Drill a pilot hole and attach with 3/8 x 1 type F HWH bolts. Repeat for opposite side.
- 3) Figure 30.** Attach swivel bracket assembly to base with headless pin and cotter pins.

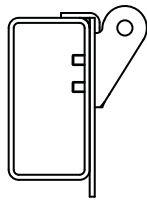


Figure 29

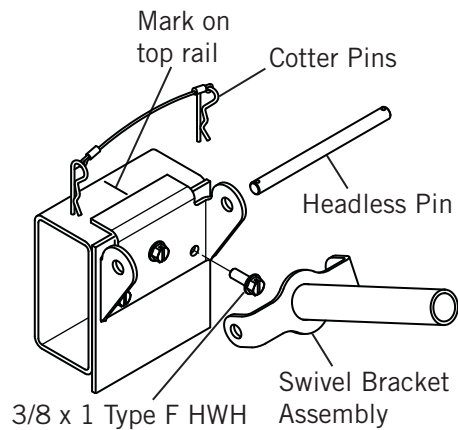


Figure 30

- 4)** On opposite side attach heavy duty bow assembly with headless pin and cotter pin.
- 5) Figure 31.** Mark heavy duty bow assembly, disassemble, and cut to length.
- 6) Figure 3.** Reassemble with swivel bracket assembly inserted into the heavy duty bow assembly.

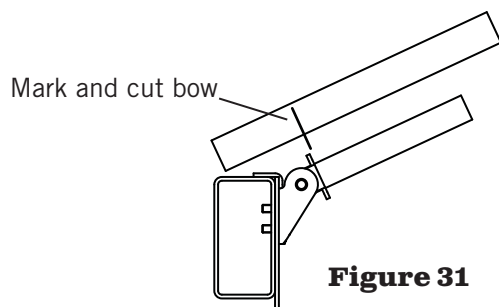


Figure 31



Figure 32

Classic Roll Tarp

Installation Instructions

Step 3e

Installing Flex Bows

BOLT

1A) Figures 33. Align pocket with marked bow location and flush with top of rail. Drill a pilot hole and attach with 3/8 x 1 type F HWH bolts.

WELD

1B) Figure 33 & 34. Align pocket with marked bow location and flush with top of rail. Weld all around pocket.

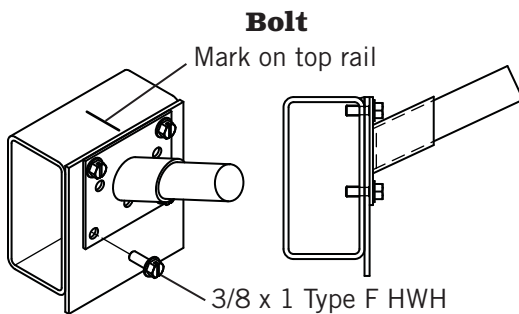


Figure 33

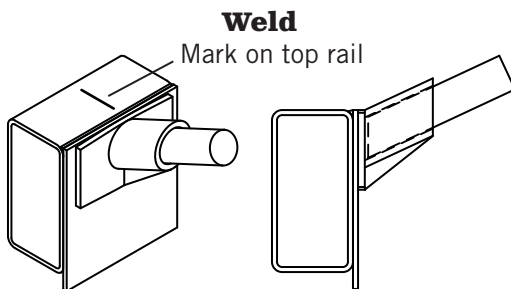


Figure 34

Figure 35. For sideboard installation weld a plate to weld or bolt the pocket to.

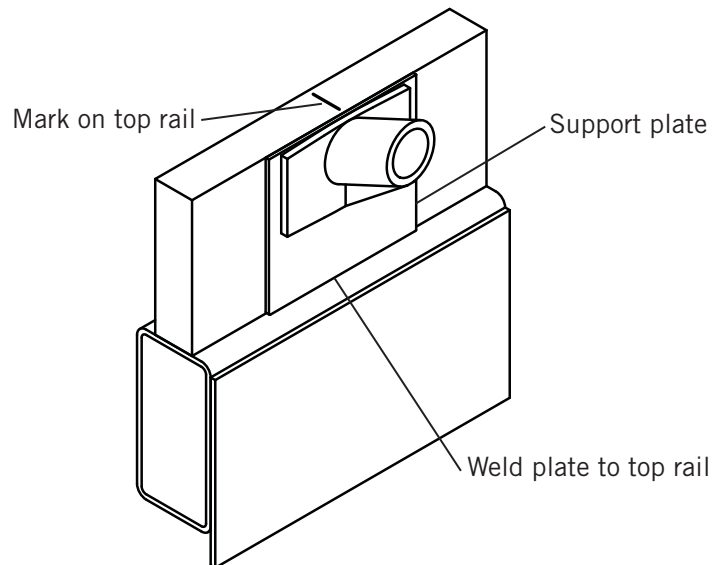


Figure 35

▲ IMPORTANT: The ends of the bow must be cut to the proper angle or the warranty is void. The flex bow has a pre-set arch or spline, make sure the arch is up when cutting the ends.

3) Figure 36. Cut both ends of the flex bow at 25°-30° angle and 2" longer than the inside width of the trailer.

4) Figure 37. Insert bow into pockets.

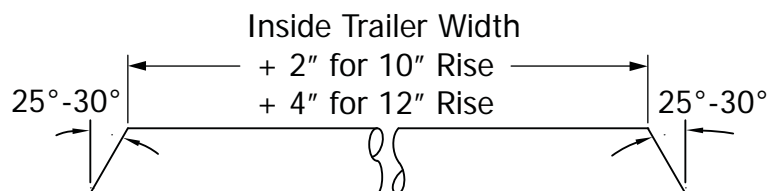


Figure 36



Figure 37

Classic Roll Tarp

Installation Instructions

Step 4a

Assemble Anchor Pipe and Roll Pipe

1) See Figures 38 & 39. Attach lengths of anchor pipe and roll pipe and weld together.

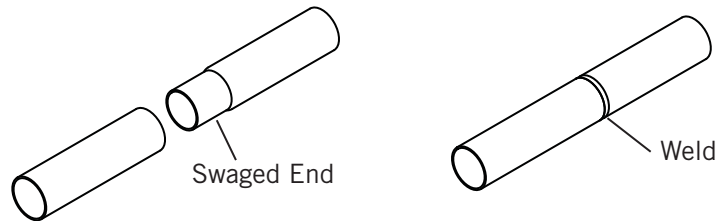


Figure 38

Figure 39

2) See Figure 40. Cut the anchor pipe flush with the ends of the pocket on the tarp.

3) Place rubber cups on ends of anchor pipe.

4) See Figure 40 Slide the anchor pipe into the tarp pocket and secure with #14 x 1 PPH self drilling screw.

5) See Figure 40. Slide the roll pipe into the other pocket and leaving 1/4" sticking out at the front of the tarp.

6) See Figure 40. 1/4" from each end and 40" apart, secure tarp to roll pipe with U-clamp and #14 x 1 PPH self drilling screw.

Note: Do not cut the roll pipe at the rear of the tarp, that will be done later.

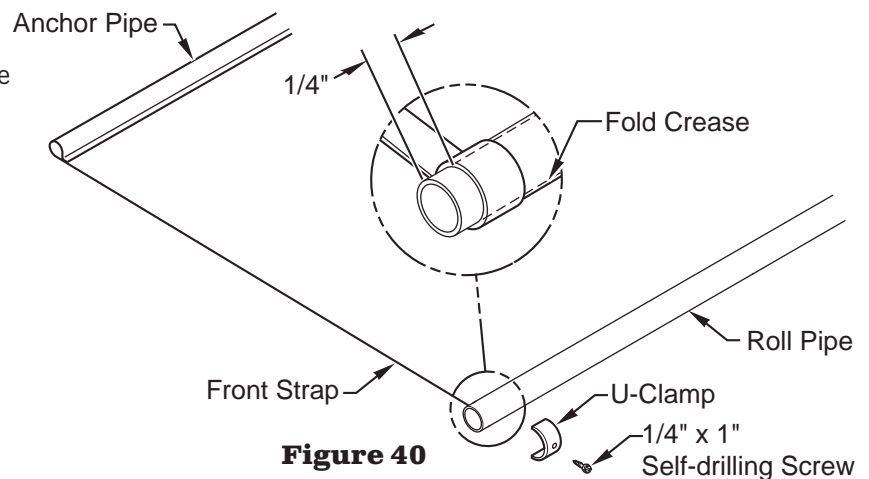


Figure 40

NOTE: U-clamps can be attached after tarp is positioned on trailer.

Step 4b

Install Ridge Pole (Optional)

1) Figures 38 & 39. Assemble the ridge pole if necessary and weld at seam and grind smooth

Classic Roll Tarp

Installation Instructions

2) See Figure 41. The ridge pole is installed either on top of the tarp or bottom of the tarp. Cut the ridge pole to fit your installation per these figures.

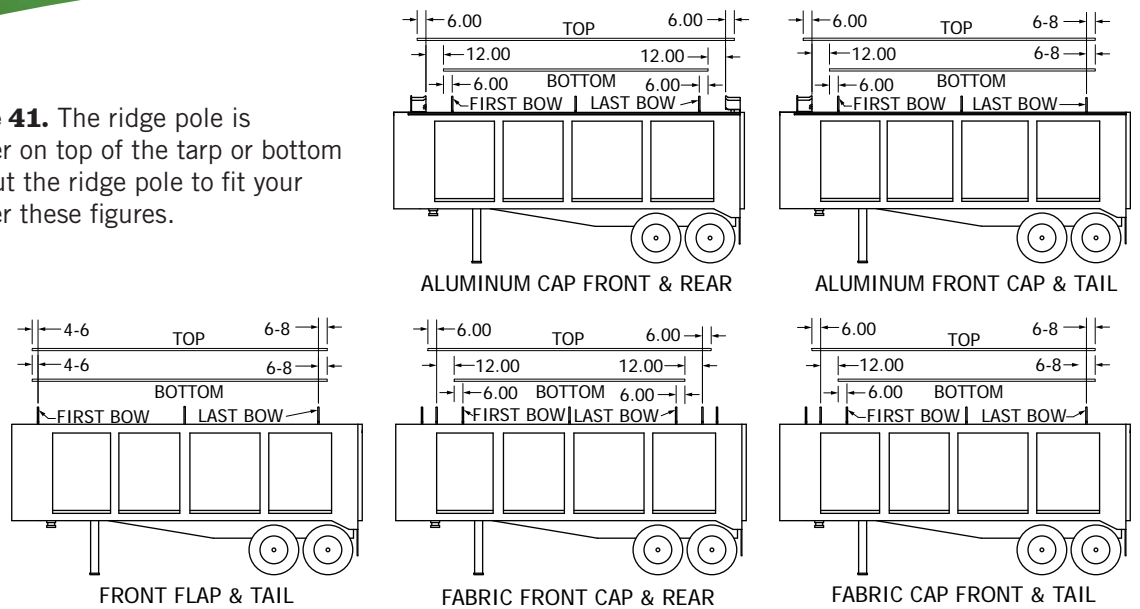


Figure 41

3) See Figure 42. Place rubber cups on ends of ridge pole.

4) See Figure 43. Slide the ridge pole into the tarp pocket and secure with #14 x 1 PPH self drilling screw.

6) See Figure 43. Fold flaps around end of ridge pole when provided.

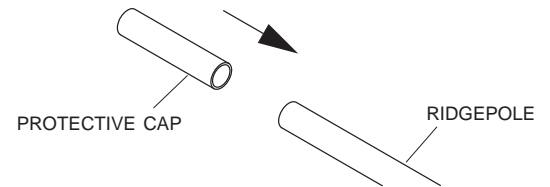


Figure 42

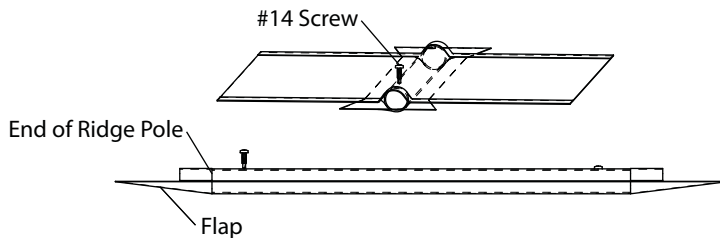


Figure 43

Step 4c

Position Tarp on Trailer

1) Figures 44 & 45. Roll the tarp onto the roll pipe and place on the trailer. Position the tarp front to back accordingly.

Tarp Position Fabric Caps

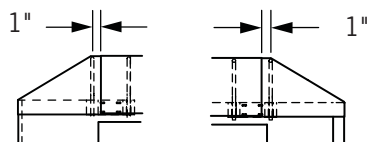


Figure 44

Tarp Position Aluminum Caps

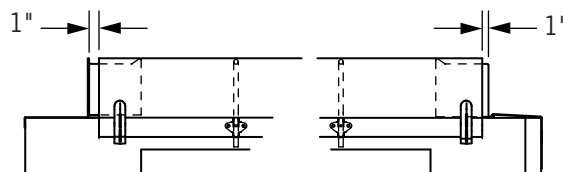


Figure 45

Classic Roll Tarp

Installation Instructions

Step 5

Installing Roll Stops and Secure Anchor Pipe

- 1) Place tarp on trailer body and center on caps.
- 2) **Figure 46.** Locate first roll stop bracket 4"-8" from end of anchor pipe and 1" down from top rail.
- 3a) **Figure 46.** Drill a pilot hole and attach with 3/8 x 1 type F HWH bolts.
- 3b) **Figures 47 & 48.** Drill a pilot hole and attach with 3/8 x 2-1/2 carriage bolts.
- 4) Locate last roll stop bracket 4"-8" from end of anchor pipe or as close as possible and 1" down from top rail.
- 5) Evenly space roll stop brackets along top rail with maximum of 96" apart.
- 6) Place anchor pipe into roll stop and assemble roll stop.

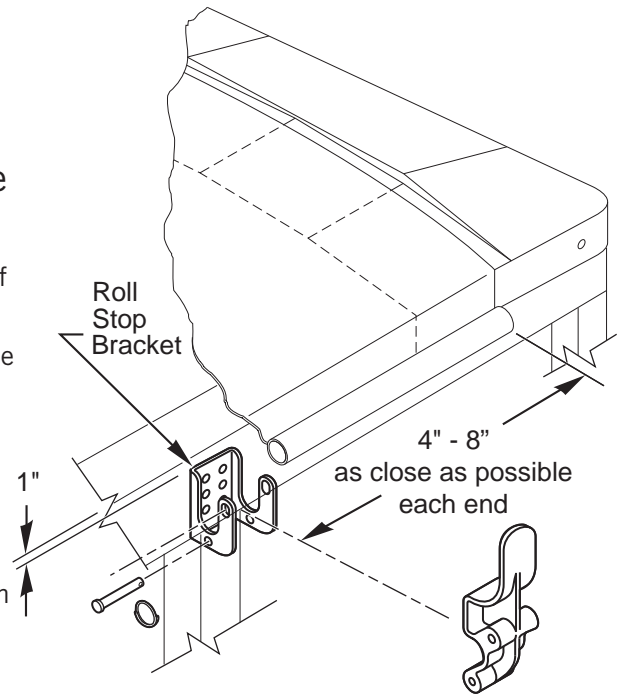


Figure 46

Install Anchor Pipe & Roll Stops to Sideboards

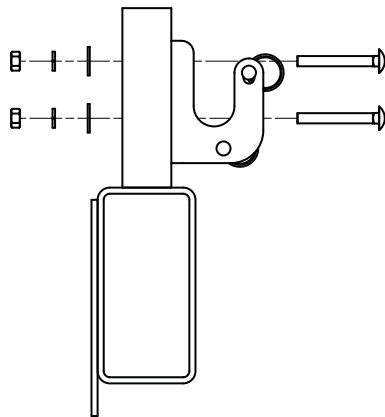


Figure 47

Install Anchor Pipe to Top Rail & Roll Stops to Sideboards

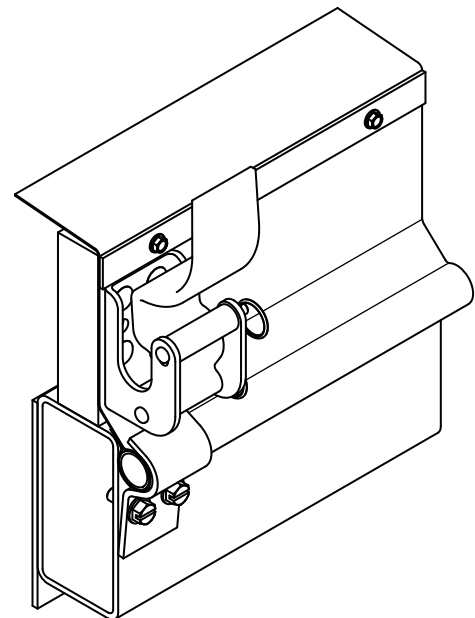


Figure 48

Hardware to Mount to Sideboards

Index	Description
1	5/16 X 2-1/2 CARRIAGE BOLT
2	5/16 FLAT WASHER
3	5/16 LOCK WASHER
4	5/16 HEX NUT
5	1/8" x 1" x 12' FLAT ALUMINUM
6	SCREW #14 X 1 HWH AB ZINC
7	CLAMP, ANCHOR PIPE
8	3/8 X 1 TYPE F HWH BOLT

Classic Roll Tarp

Installation Instructions

Step 6

Cut Roll Pipe and Weld Crank Drive

Note: Length of roll pipe is subject to tarp with tail and obstructions attached to tailgate and may need to be longer than noted here.

1a) Figure 49. Tarp with caps the roll pipe should be 5"-7" past tailgate. Mark and cut roll pipe.

1b) Tarps with a tail the roll pipe should be 12"-15" past tailgate. Mark and cut roll pipe.

2) Figure 50. Insert the spline drive (Kwik Lock) or gudgeon (Classic Roll Tarp) and weld in place.

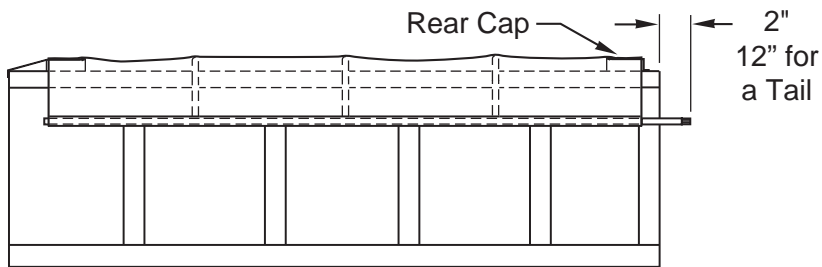


Figure 49

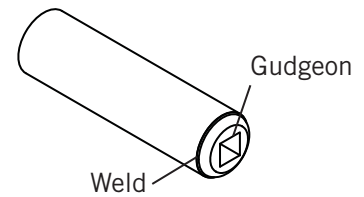


Figure 50

Step 7

Crank Storage

1) Figure 51. Mount two crank retainers within easy reach of the operator. Secure with 3/8 x 1 type F HWH bolts.

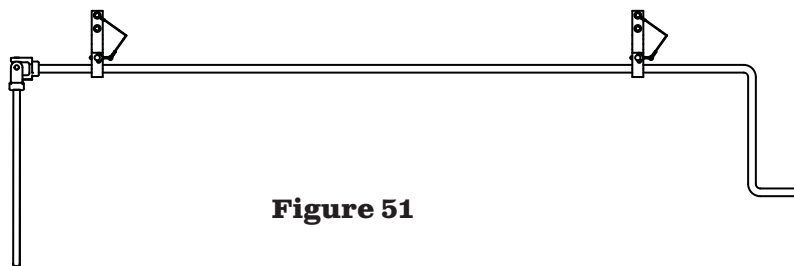


Figure 51

Classic Roll Tarp

Installation Instructions

Step 8

Install Ratchets and Straps

Ratchet with Hook

1) Figures 52 & 54. 2"-4" from front edge of tarp cut slit in tarp and wrap strap around the roll pipe.

Note: Twisting the strap a turn to a turn and a half will help keep the strap from hitting the side of the trailer while driving down the road.

2) Figure 52. Release ratchet strap completely and hook onto D-ring. Pull down on the ratchet, mark the location, making sure there is enough slack to remove the hook from the D-Ring.

3) Drill pilot holes and attach with 3/8 x 1 type F bolt.

4) Figure 54. Space ratchets evenly down side of trailer.

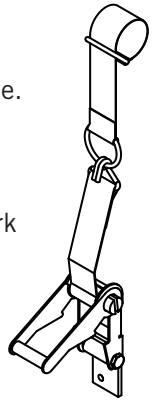


Figure 52

Ratchet without Hook

1) Figure 53 & 54. 2"-4" from front of tarp cut slit in tarp and wrap strap around the roll pipe.

2) Figure 53. Pull down on the strap, place the ratchet so the end of the strap can clearly go through the slot in the ratchet and mark the location.

3) Drill pilot holes and attach with 3/8 x 1 type F bolt.

4) Figure 54. Space ratchets evenly down side of trailer.

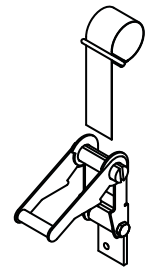


Figure 53

Pull Rope

1) Figure 54. A D-ring is centered on the length of the tarp. Wrap the rope around the D-ring and firmly tie it.

2) Figure 54. Place the J-hooks in an easy to reach location. Drill pilot holes and attach with #14 x 1 TEK bolts.

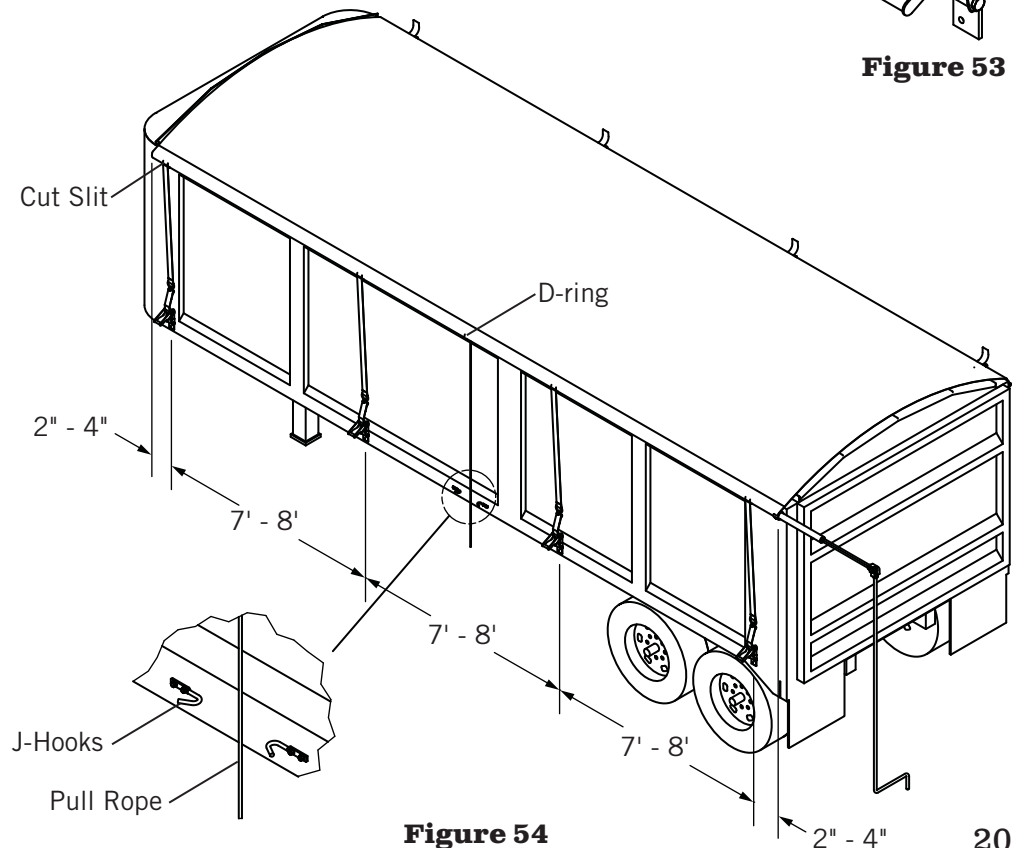


Figure 54

Classic Roll Tarp

Installation Instructions

Step 9

Secure Front Flap and Rear Tail with Rubber Straps

- 1) **Figure 55.** Attach rubber straps to grommets in tarp.
- 2) **Figure 55.** Stretch rubber strap and locate placement of J-hook.
- 3) Drill pilot holes and attach with 14 x 1 TEK screw.

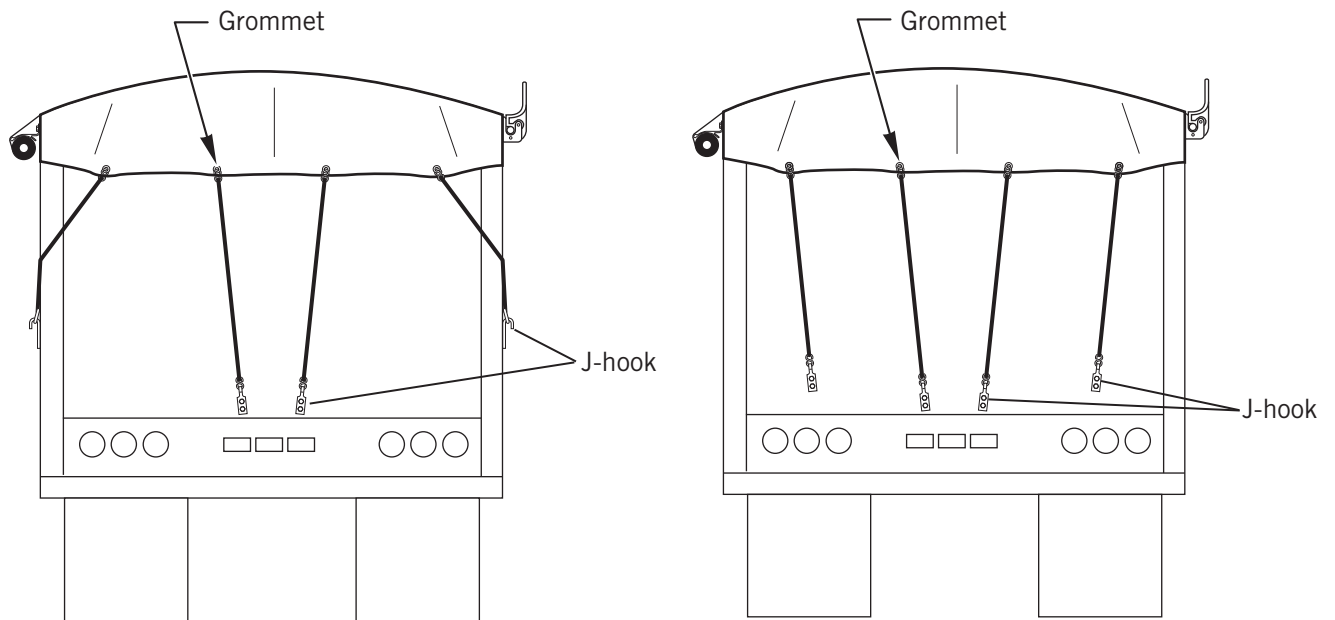


Figure 55

Classic Roll Tarp

Installation Instructions

How to Operate Classic Roll Tarp System

How to Uncover the Load

1) Release all ratchet straps, rubber straps, and unwrap pull rope.

Note: Make sure straps are completely loose from ratchets and J hooks.

2) Insert the crank into the square hole on the roll pipe and roll tarp to opposite side of trailer.

3) Remove crank and store in convenient location.

How to Cover the Load

1) Pull rope until tarp hangs down side of trailer.

Note: Twisting the strap a turn to a turn and a half will help keep the strap from hitting the side of the trailer while driving down the road.

2) Attach straps to ratchets and ratchet tarp tight.

3) Use rubber straps to secure front flap (if applicable) and rear tail.

4) Wrap pull rope around J hooks and secure so it doesn't come loose.

Classic Roll Tarp

Installation Instructions

How to Maintain Classic Roll Tarp

Minimal maintenance is required. Individual usage and operating conditions will determine when to inspect your tarp system. Aero Industries recommends a weekly inspection of the following items:

- ☑ Screws: Make sure all mounting bolts and screws are in place and tight and that no parts are worn or damaged.
- ☑ General: Replace all worn or broken parts immediately.

Replacement Parts may be obtained from the dealer or by contacting Aero Industries.

Classic Roll Tarp



INDIANAPOLIS, IN
Indianapolis, IN 46241
800-535-9545
FAX: 317-244-1311

OMAHA, NE
Omaha, NE 68137
800-535-9545
FAX: 402-895-6129

STREETSBORO, OH
Streetsboro, OH 44241
800-535-8552
FAX: 330-626-3277

©2014 Aero Industries, Inc.

US: 3384413, 3785694, 4657062, 6715817, 6857682, 6886879, 7032950

Canada: 2466454, 2514605, 2607746

UK: 2413119