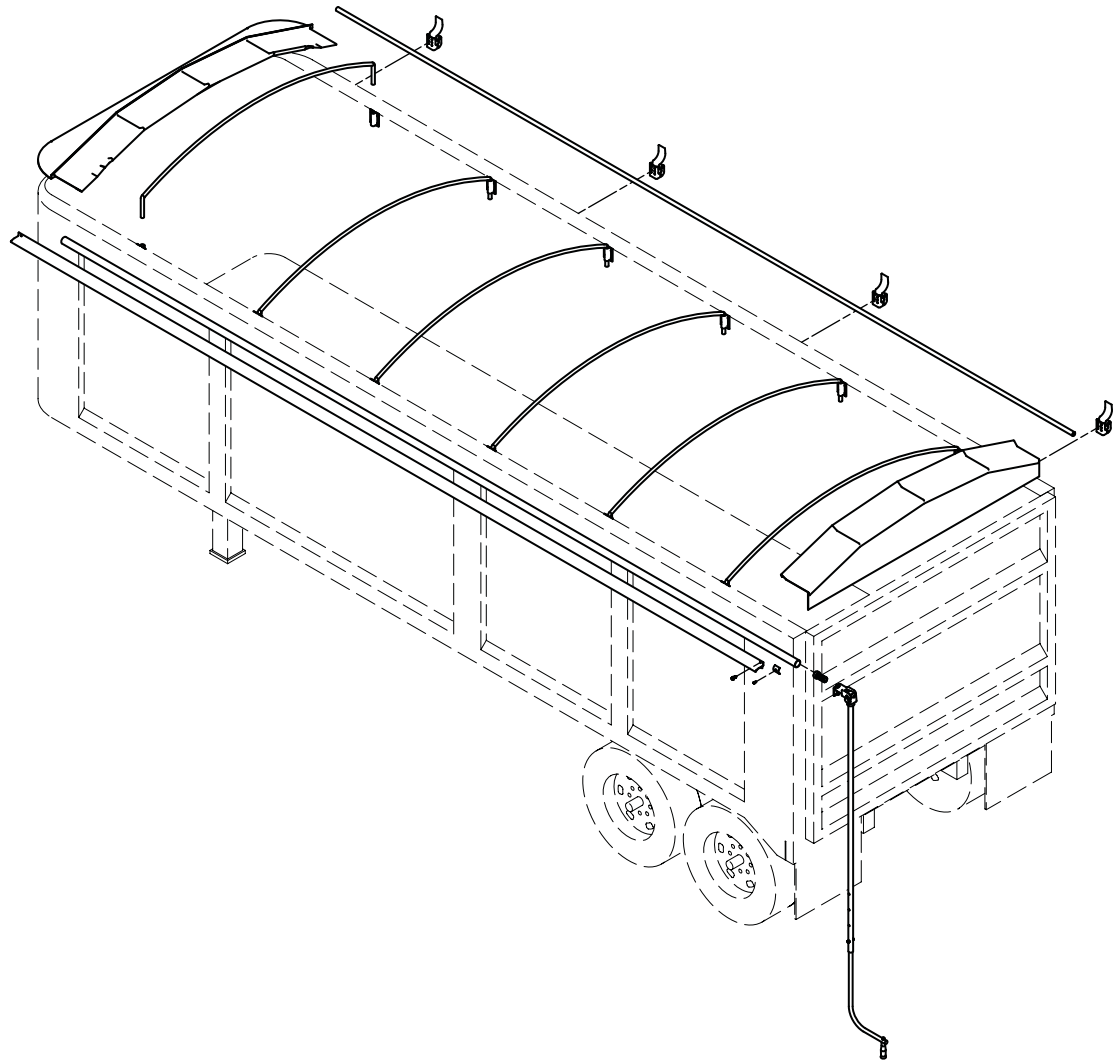




Serving the Truck & Trailer Industry
Since 1944

FOR END DUMPS



KWIK-LOCK™

Parts Lists

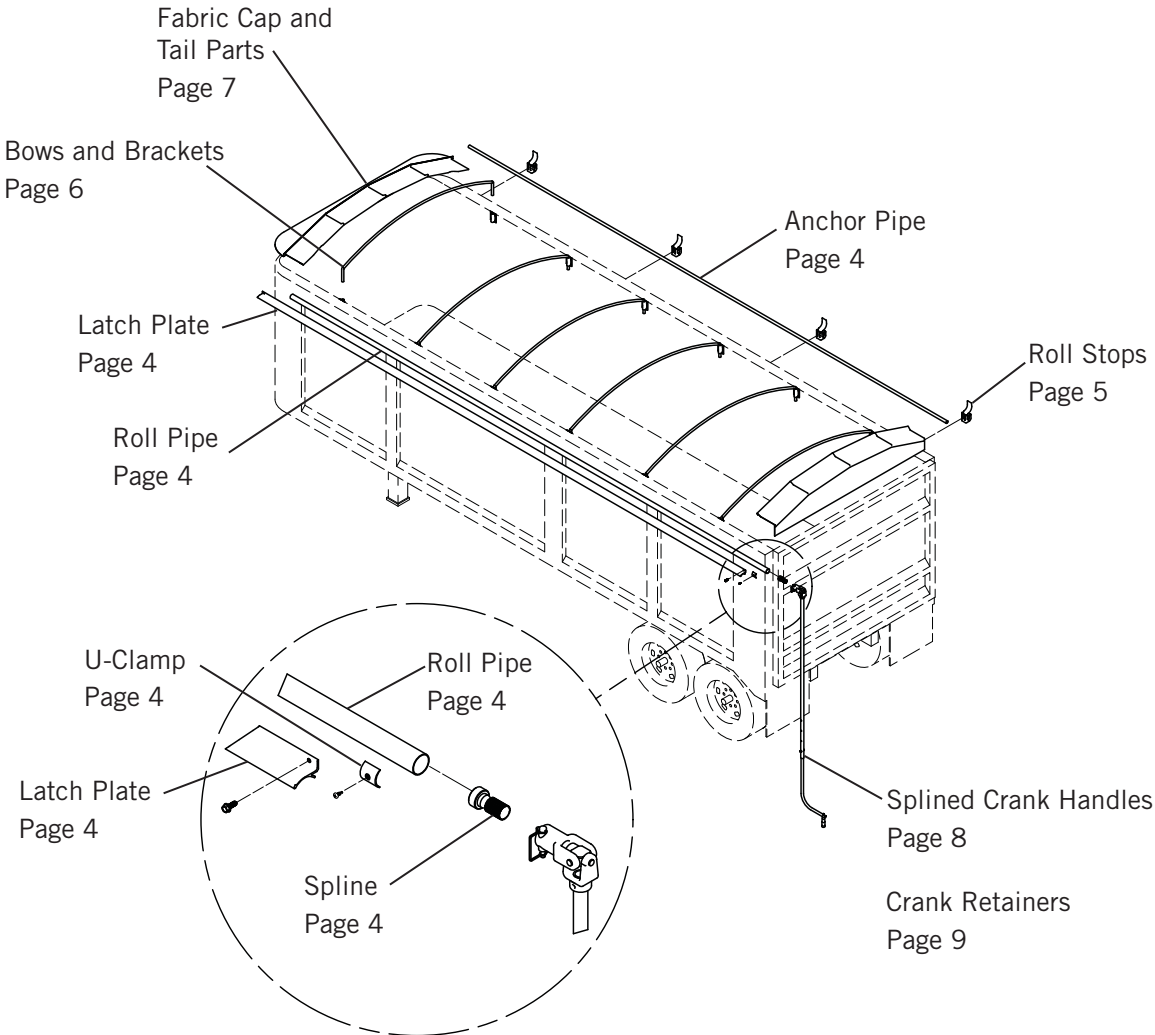
Attention Dealers: Please give this owners manual to the customer when the product is delivered.

Call 800-535-9545 | www.aeroindustries.com

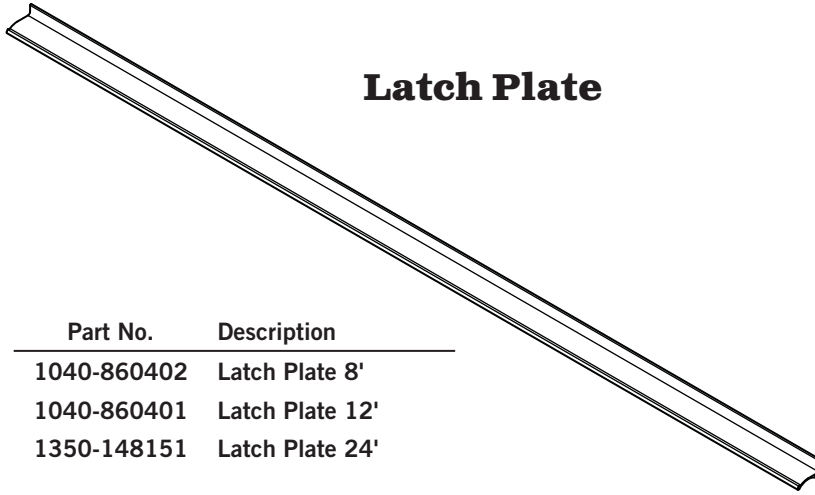
Indianapolis, IN | Omaha, NE | Streetsboro OH

Parts List Directory

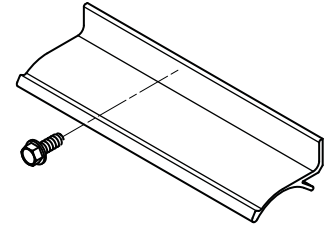
Item	Page
Latch Plate, Roll Pipe, and Anchor Pipe	4
Roll Stops	5
Bows and Brackets	6
Fabric Cap and Tail Parts, Trough and Bracket	7
Splined Crank Handles	8
Crank Retainers	9
Roll Return, and Roll Pipe Deflector	10



Latch Plate



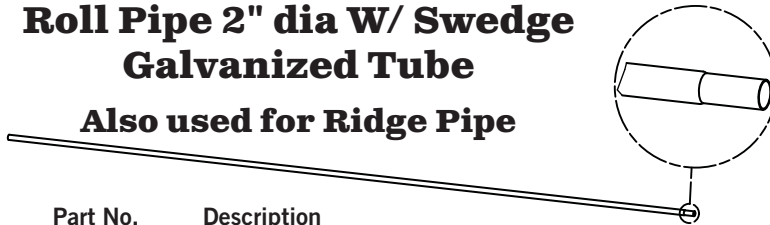
Part No.	Description
1040-860402	Latch Plate 8'
1040-860401	Latch Plate 12'
1350-148151	Latch Plate 24'



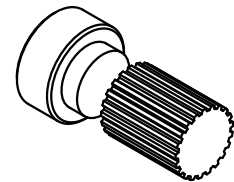
0825-650621
3/8 x 1 HWH Type F
 (Screws typically
 24" on center)

Roll Pipe 2" dia W/ Swedge Galvanized Tube

Also used for Ridge Pipe



Part No.	Description
1040-860404	Roll Pipe 2" - 8'
1040-860403	Roll Pipe 2" - 12'
1040-960197	Roll Pipe 2" - 24'



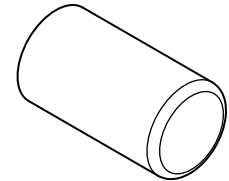
1040-860130
Spline Male End
Kwik-Lock

Anchor Pipe 1.125" dia W/ Swedge Galvanized Tube



Part No.	Description
1040-860406	Fixed Tarp Tube 1.125" - 8'
1040-860405	Fixed Tarp Tube 1.125" - 12'
1040-860165	Fixed Tarp Tube 1.125" - 24'

Rubber cap for pipes



0765-617830
Rubber Cup-Anchor Pipe

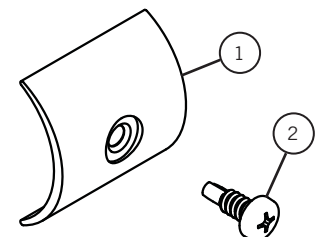
Roll Pipe 1.51" dia W/ Swedge Galvanized Tube



Part No.	Description
1018-860205	RIDGE-PIPE-SPLIT-12'
1018-860204	RIDGE-PIPE-SPLIT-16'
1018-860203	RIDGE-PIPE-SPLIT-20'

0825-650540
 14 x 1 PPH, Self Drilling

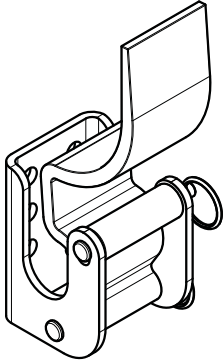
0765-617831
Rubber Cap, 2" Pipe
1018-860018
CAP, RIDGE POLE 1.51DX8"



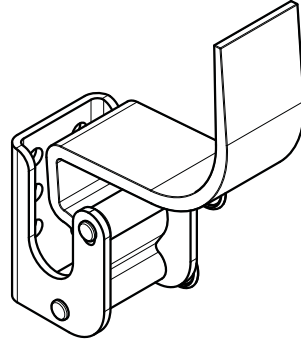
U-Clamp and Screw
 on every strap (30")

No.	Part No.	Description
1	1040-860129	U-Clamp
2	0825-650540	14 x 1 PPH, Self Drilling

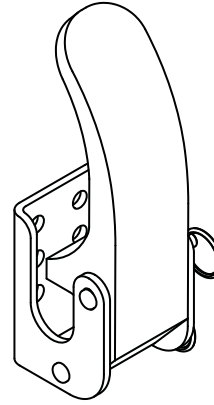
Roll Stops



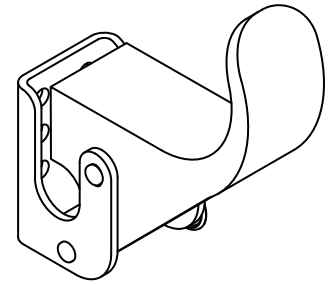
1040-960217
Easy Off 3" Roll Stop
Assembly Extruded



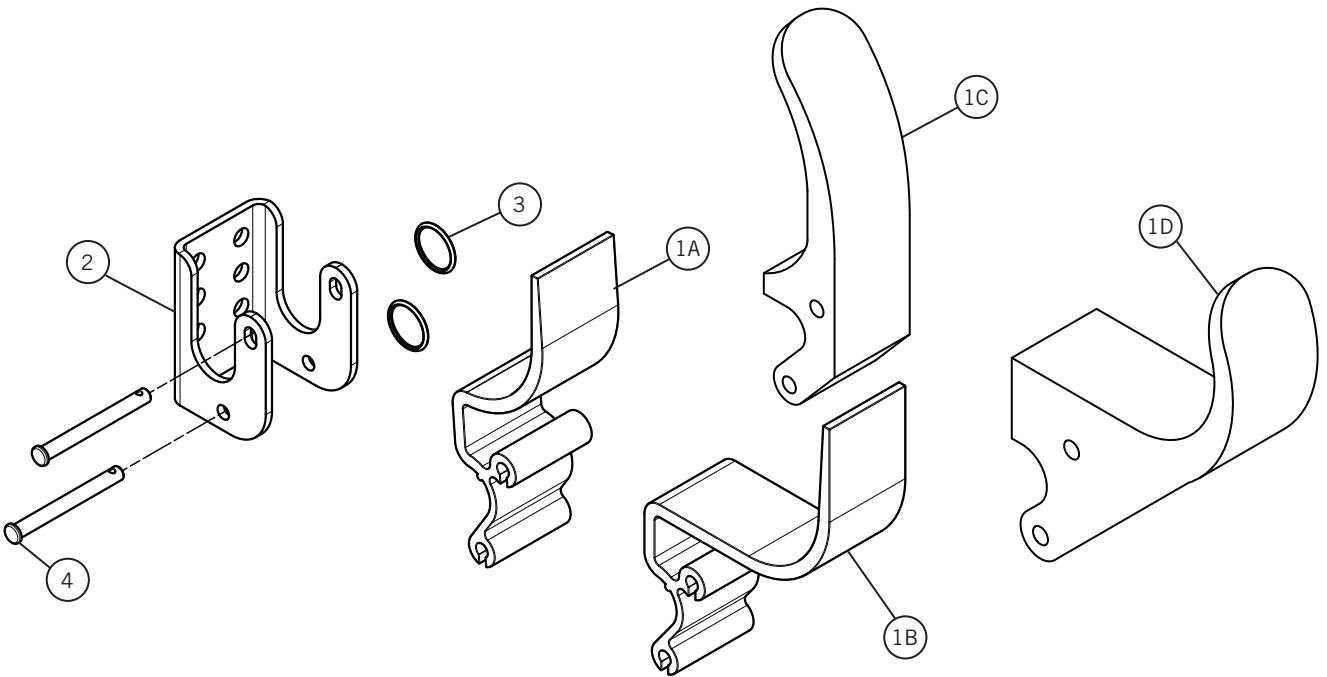
1040-960218
Easy Off 6" Roll Stop
Assembly Extruded



1040-960219
Easy Off Roll Stop 3"
Assembly Urethane

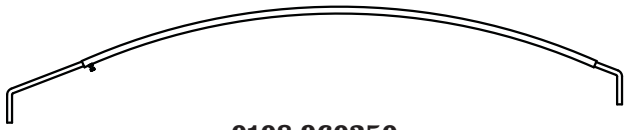


1040-960220
Easy Off Roll Stop 6"
Assembly Urethane

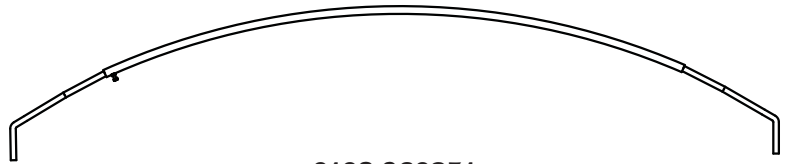


No.	Part No.	Description
1A	1040-860184	Roll Stop 3" Offset Extruded
1B	1040-860185	Roll Stop 6" Offset Extruded
1C	1040-860189	Easy Off 3" Roll Stop URE
1D	1040-860200	Easy Off 6" Roll Stop URE
2	1040-860121	Easy Off Roll Stop Body
3	0835-618500	Circle Pin .074 x 1 1/8
4	0835-619640	Clevis Pin 5/16 x 3

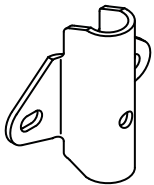
Bows and Bracket



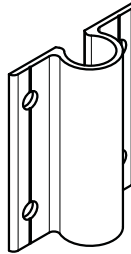
0108-960250
Adjustable Bow Assembly Steel
10"-12" Rise and 83"-93" Center To Center



0108-960251
Adjustable Bow Assembly Steel
12"-16" Rise and 93"-103" Center To Center

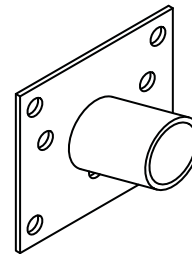


1040-860187
Bow Pocket Steel

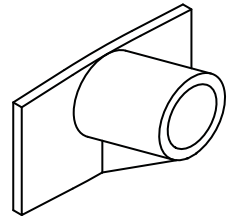


1038-860499
Bow Pocket Aluminum

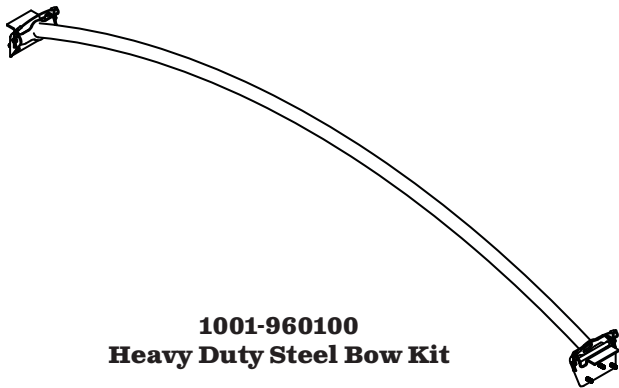
Bow Brackets are mounted with (4)
0825-650621 – 3/8 x 1 Type F



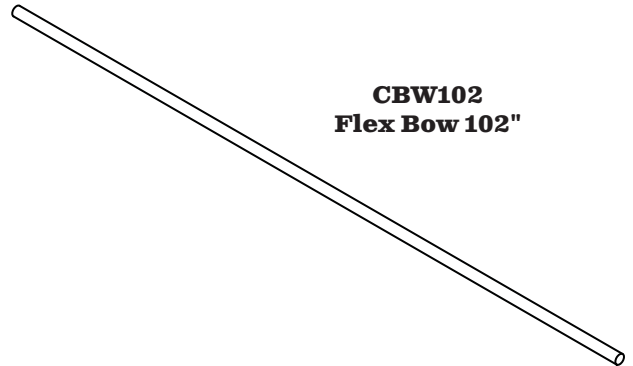
BA2500
Bow Holder Stl
For Flex Bows



BH2A00
Bow Holder Al
For Flex Bows
Can be welded on

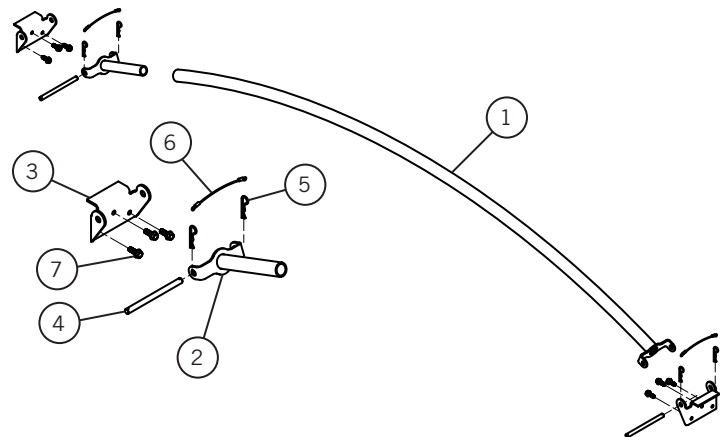


1001-960100
Heavy Duty Steel Bow Kit



CBW102
Flex Bow 102"

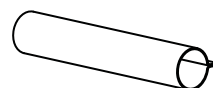
No.	Part No.	Description
1	1001-960101	Heavy Duty Steel Bow Assembly
2	1001-960102	Swivel Bracket Assembly
3	1001-860100	Swivel Bracket Base
4	1001-860103	Headless Pin
5	0835-691723	Locking Cotter Pin
6	0760-603123	Lanyard Nylon .093" x 8"
7	0825-650621	3/8 x 1 HWH Type F



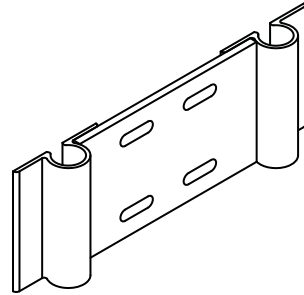
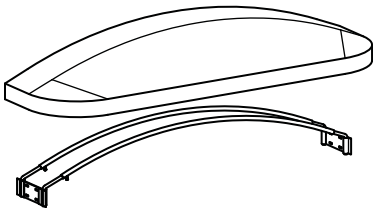
Swing-Away Bow System
Call for replacement parts

Aluminum Bows
Call for replacement

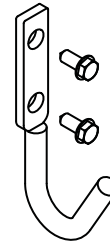
Fabric Bow Sleeve
0530-863501



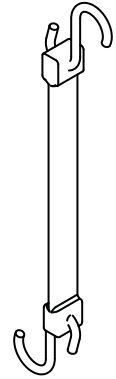
Fabric Cap and Tail Parts



1040-960175
Bow Pocket Fabric Front

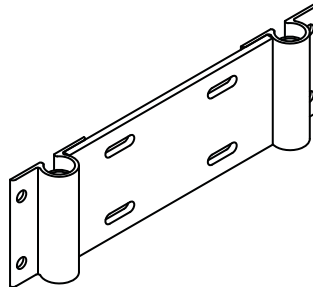


0730-612360
Hook "J" Tarp



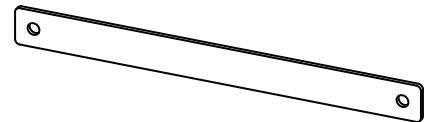
1545-619866
Strap Assembly
Tarp 24"

Bracket is mounted with (2)
0825-670360 – 14 x 1 TEK



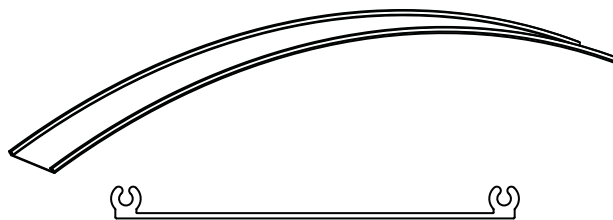
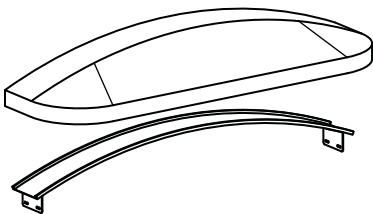
1040-960225
Bow Pocket Fabric Front
W/ Insert

Brackets is mounted with (4)
0825-650621 – 3/8 x 1 Type F

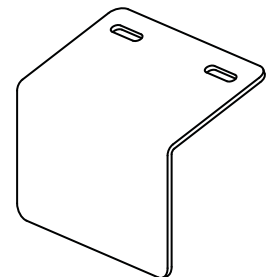


1040-860163
Bow Tie Bar

Trough and Bracket



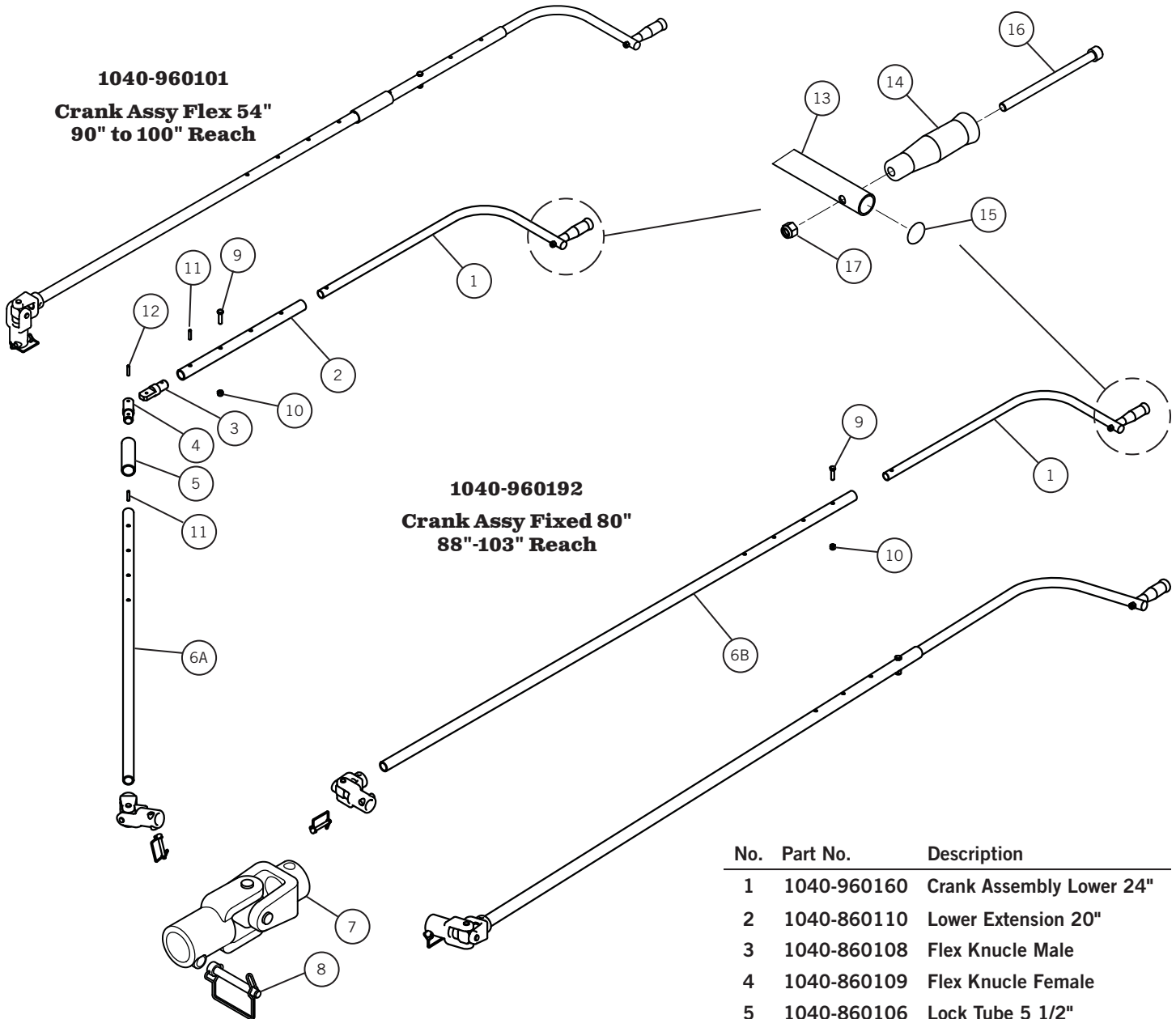
1040-860251
Trough Extrusion Rolled
12" Rise
102" Overall Length



1040-860252
Angle Bracket Trough

Bracket is mounted with (2)
0825-650621 – 3/8 x 1 Type F

Splined Crank Handles



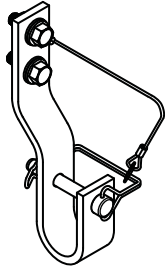
1040-960101
Crank Assy Flex 54"
90" to 100" Reach

1040-960192
Crank Assy Fixed 80"
88"-103" Reach

No.	Part No.	Description
	1040-960160	CRANK ASSEMBLY LOWER 24"
13	1040-860103	CRANK ARM STANDARD
14	1040-860104	CRANK HANDLE NYLON
15	1040-860105	END PLUG CRANK ARM
16	0825-670505	SCREW 3/8-16x 5-1/2" SHCS
17	0815-660660	NUT HEX 3/8-16 NYLOCK

No.	Part No.	Description
1	1040-960160	Crank Assembly Lower 24"
2	1040-860110	Lower Extension 20"
3	1040-860108	Flex Knucle Male
4	1040-860109	Flex Knucle Female
5	1040-860106	Lock Tube 5 1/2"
6A	1040-860102	Crank Extension 54"
6B	1040-860107	Crank Extension 80" Fixed
7	1040-860101	U-Joint Splined
8	0835-691721	Lock Pin Wire
9	0810-650621	3/8-16 x 2 1/2 Hex Bolt
10	0815-660660	3/8-16 Nylon Hex Nut
11	0835-691618	Spring Pin 1/4 x 1 1/4
12	0835-691607	Spring Pin 1/4 x 2

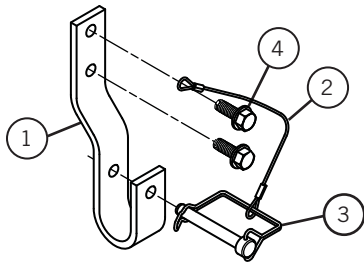
Crank Retainers



1040-960106
Crank Retainer Offset



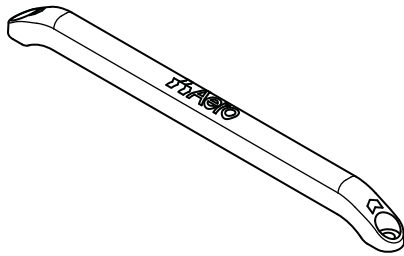
1001-862125
Crank Retainer Pinless
Spring Loaded



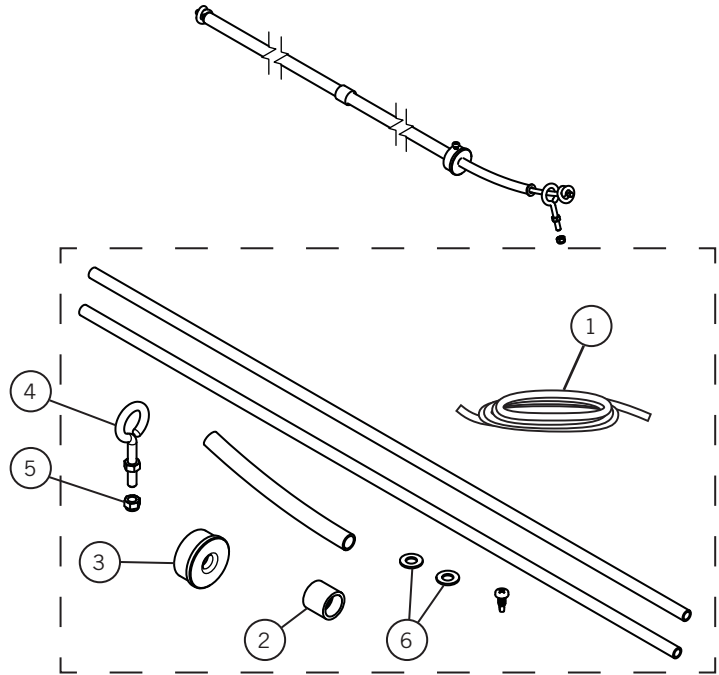
1040-860205
Retainer Spring Loaded
Conversion Kit

No.	Part No.	Description
1	1040-860116	Offset Crank Retaining J-Hook
2	1040-860113	Cable with Interlock Snap
3	0835-691721	Wire Lock Pin
4	0825-650621	3/8-16 x 1 Hex Washer Head Type F

Kwik-Lock Roll Return

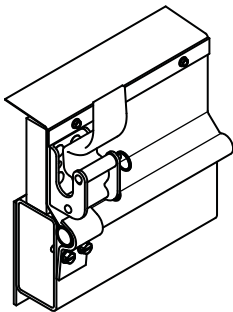


1040-860158
Roll Pipe Deflector



1040-960109
Roll Return Assembly

No.	Part No.	Description
1	1040-860125	Roll Return Cord
2	1040-860126	Roll Return Connector
3	1040-860127	Roll Return End Plug
4	0810-650901	Eye Bolt 5/16-18 x 2
5	0815-660550	5/16-18 Nylon Hex Nut
6	0820-680620	3/8 Flat Washer



Side Board Mounting Hardware

Secure Tarp to Side Board

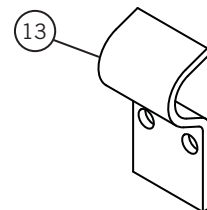
No.	Part No.	Description
1	1315-150165	1/8" x 1" x 12' FLAT ALUMINUM
2	0810-651327	BOLT HEX LAG 1/4 X 1-1/2

Secure Components to Side Board

No.	Part No.	Description
3	0810-650525	5/16 X 2-1/2 CARRIAGE BOLT
4	0820-680510	5/16 FLAT WASHER
5	0820-680520	5/16 LOCK WASHER
6	0815-660510	5/16 HEX NUT

Secure Anchor Pipe to Top Rail

No.	Part No.	Description
13	1001-861323	CLAMP, ANCHOR PIPE
14	0825-650621	3/8 X 1 TYPE F HWH BOLT



KWIK-LOCK™

Parts List



INDIANAPOLIS, IN
Indianapolis, IN 46241
800-535-9545
FAX: 317-244-1311

OMAHA, NE
Omaha, NE 68137
800-535-9545
FAX: 402-895-6129

STREETSBORO, OH
Streetsboro, OH 44241
800-535-8552
FAX: 330-626-3277

© 2014 Aero Industries, Inc.

US: 3384413, 3785694, 4657062, 6715817, 6857682, 6886879, 7032950

Canada: 2466454, 2514605, 2607746

UK: 2413119