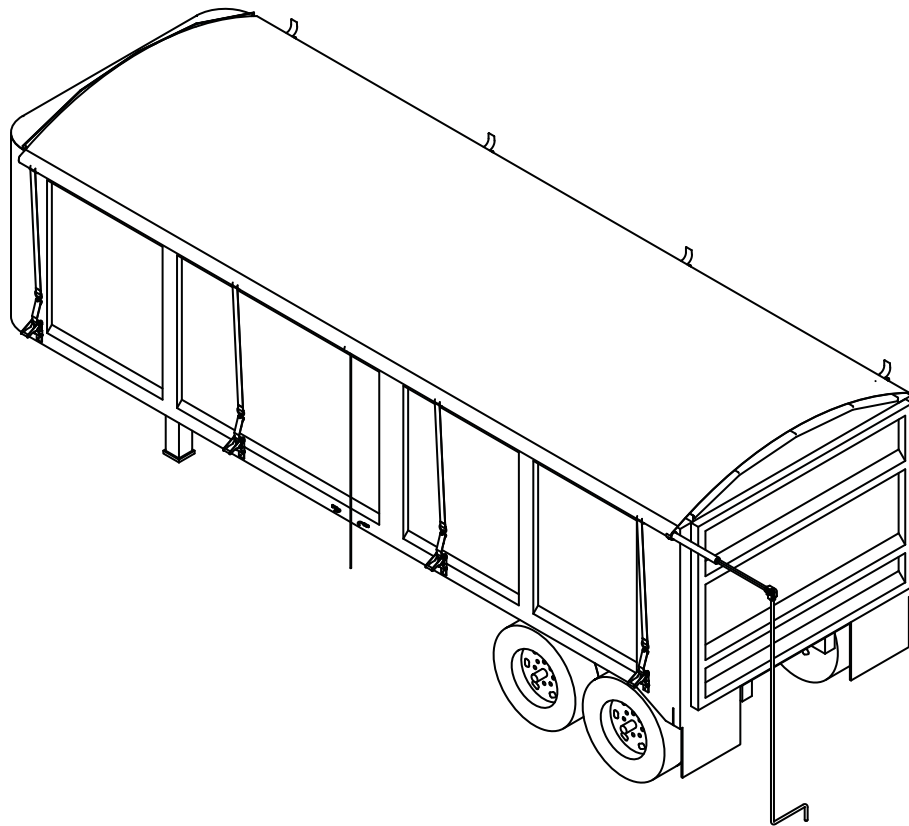




Serving the Truck & Trailer Industry  
Since 1944



# **Classic Roll Tarp**

---

## **Installation Instructions**

**Attention Dealers:** Please give this owners manual to the customer when the product is delivered.

Call 800-535-9545 | [www.aeroindustries.com](http://www.aeroindustries.com)

Indianapolis, IN | Omaha, NE | Streetsboro OH

# Classic Roll Tarp

## Installation Directory

---

<b>Item</b>	<b>Step</b>	<b>Page</b>
Safety Information		3
Warranty Information and Tools Required		4
Front Caps		
Fabric Front Cap: Mark Top Rail for Bow Placement	1a	5
Fabric Front Cap: Install Double Bow Bracket or Heavy Duty Bows	1b	6-7
Aluminum Front Cap: Install Square Nose	1c	8
Aluminum Front Cap: Install Shaped to Nose (level front)	1d	8
Rear Caps		
Fabric Rear Cap: Install Double Bow Bracket or Heavy Duty Bows	2a	9-10
Aluminum Rear Cap: Install Mounted to Tailgate	2b	11
Aluminum Rear Cap: Install with Fabric Tail	2c	11
Bows		
Marking Bow Location	3a	12
Installing Aluminum Bows	3b	13
Installing Adjustable Steel Bows	3c	13
Installing Heavy Duty Bows	3d	14
Installing Flex Bows	3e	15
Assemble Anchor Pipe and Roll Pipe	4a	16
Position Tarp on Trailer	4b	17
Installing Roll Stops	5	17
Cut Roll Pipe and Weld Crank Drive	6	18
Crank Storage	7	18
Install Ratchets and Straps	8	19
Secure Front Flap and Rear Tail with Rubber Straps	9	20
How to operate tarp system		21
How to maintain tarp system		22

## Important Safety Information

### Explanation of Signal Words

- ▲ **DANGER:** Indicates a hazardous situation which, if not avoided will result in death or serious injury.
- ▲ **WARNING:** Indicates a hazardous situation which, if not avoided could result in death or serious injury.
- ▲ **CAUTION:** Indicates a hazardous situation which, if not avoided could result in minor or moderate injury.

### Safety Messages

- ▲ **WARNING:** Read this entire manual before installing this product. Read all labels before operating.
- ▲ **WARNING:** Be sure that your working platform is secure as you work on the truck. Use OSHA approved ladders or scaffolding to work above ground level.
- ▲ **WARNING:** Always wear safety glasses during installation and operation.
- ▲ **CAUTION:** Keep all clothing clear of moving parts.
- ▲ **CAUTION:** Keep everyone clear of the area.

▲ **IMPORTANT:** Contains information critical to installation and warranty policy.

**NOTICE:** Risk of product or vehicle being damaged.

**NOTE:** Contains information critical to the installation or operation of this product.

# Classic Roll Tarp

This manual explains how to install and maintain a Classic Roll Tarp system.

## **Aero Warranty**

Aero Products come with a one year warranty on all parts. It's another example of our ongoing commitment to customer satisfaction and quality.

**Customer:** If you have any concerns or questions prior to the installation of this product, please call our Customer Service at 1-800-535-9545.

## **Tools Required for Installation**

Marker or Felt Pen	Drill Bits: 9/32", 11/32"
Tape Measure	Sockets: 5/16", 7/16", 9/16", 3/4"
Protractor	Open End or Box Wrenches: 5/16", 7/16", 9/16", 3/4"
Black Electrical Tape	Torx T40
Awl	Hex Key: 5/16"
Hammer	Phillips: #3
Hack Saw	Electric or Air Drill
Saw	Welder
1 1/8" hole saw	

# Classic Roll Tarp

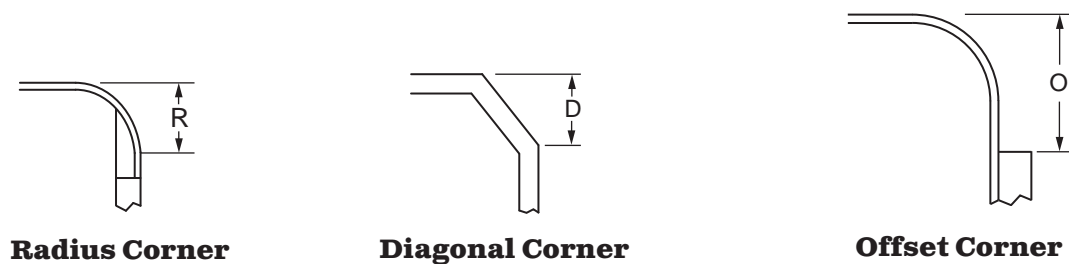
## Installation Instructions

### Step 1a

Fabric Front Cap: Mark Top Rail for Bow Placement

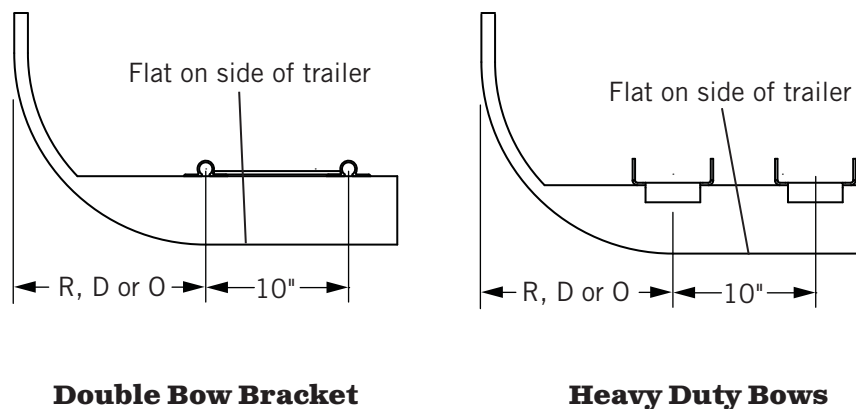
**Note:** If this Roll Tarp and has no front and rear caps, go to Step 3.

**1) Figure 1.** Mark the top rail where flat on side of trailer starts. Also mark 10" from there for heavy duty bows. The dimension of the **R**adius, **D**agonal, or **O**ffset.



**Figure 1**

**2) Figure 2.** Locate bracket position.



**Figure 2**

# Classic Roll Tarp

## Installation Instructions

### Step 1b

#### Fabric Front Cap: Install Double Bow Bracket or Heavy Duty Bows

Index	Description	Qty	Index	Description	Qty
1	Fabric Front Cap	1	4	3/8 x 1 Type F HWH	8
2	Double Bow or Heavy Duty Bracket	2	5	5/16 x 1-1/2 Type F Torx	15
3	Bows	2	6	Aluminum Flat Bar 1/8" x 1"	12 ft

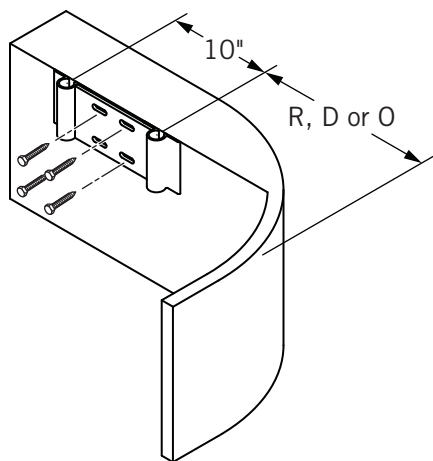
**1) Figure 3.** Clamp first pocket of double bow bracket centered on mark on top rail.

**2) Figure 4.** Position bracket as shown to reduce tarp wear.

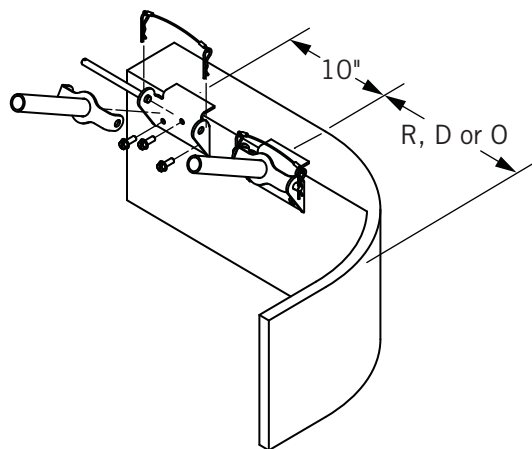
**Note:** Put the bolts in the center of the slots incase pocket needs to be adjusted.

**3a) Figure 3.** Attach with 3/8 x 1 type F HWH bolts.

**3b) Figure 5.** Attach with 3/8 x 2-1/2 carriage bolts.

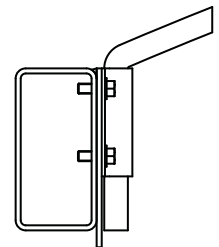


**Double Bow Bracket**



**Heavy Duty Bows**

**Figure 3**

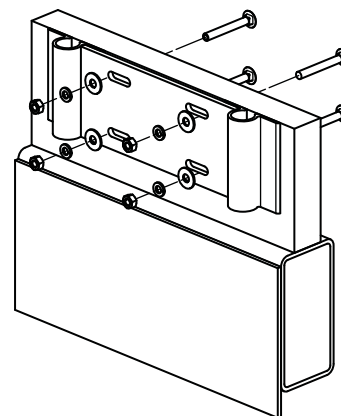


**Figure 4**

#### Install Double Bow Bracket to Sideboards

##### Hardware to Mount to Sideboards

Index	Description	Qty
7	5/16 X 2-1/2 CARRIAGE BOLT	8
8	5/16 FLAT WASHER	8
9	5/16 LOCK WASHER	8
10	5/16 HEX NUT	8



**Figure 5**

# Classic Roll Tarp

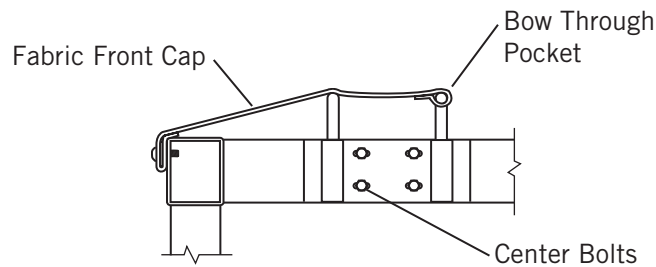
## Installation Instructions

4) **Figure 6 & 7.** Feed aluminum flat bar through bottom of fabric cap.

5) **Figure 6.** Feed bow through top of fabric cap.

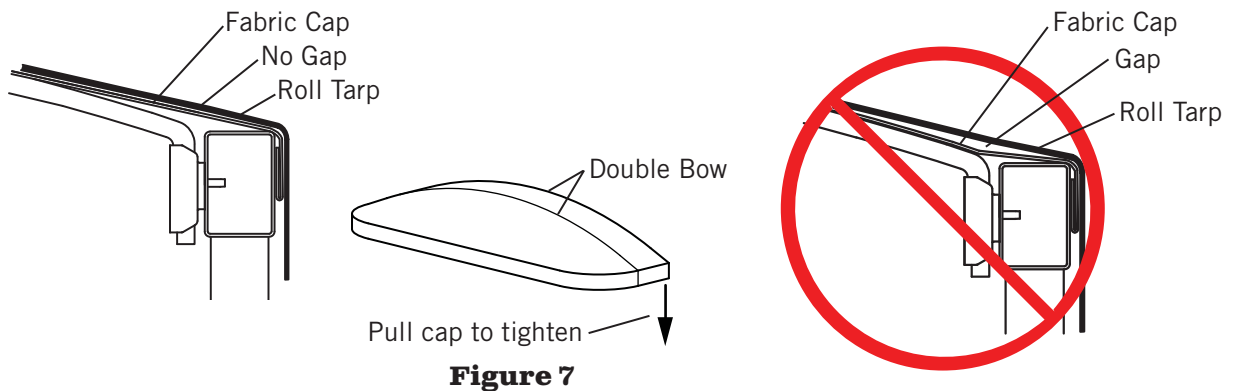
6) **Figure 7.** Pull cap tight over top rail.

7) **Figure 8.** Drill holes evenly spaced through aluminum flat bar and attach with 5/16 x 1-1/2 Type F Torx.

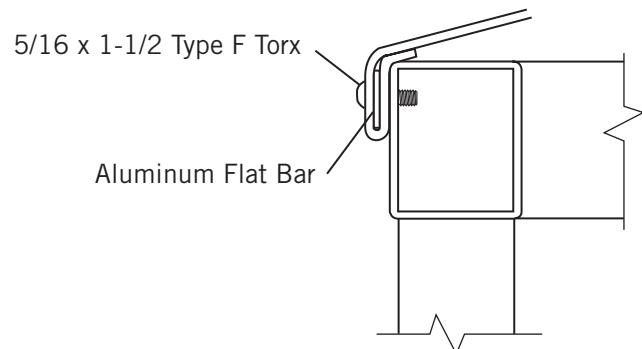


**Figure 6**

**⚠ IMPORTANT:** If the cap is not pulled tight, a gap with the roll tarp will allow wind to get under neath and cause wear.



**Figure 7**



**Figure 8**

# Classic Roll Tarp

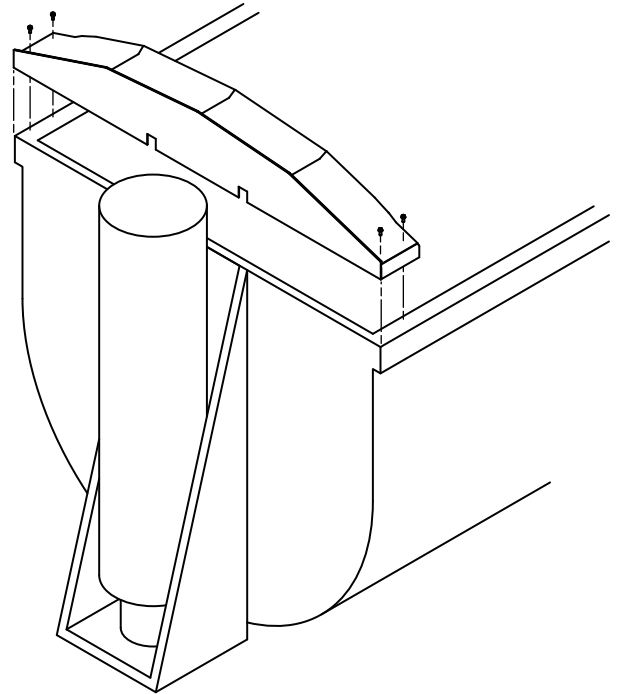
## Installation Instructions

### Step 1c

#### Aluminum Front Cap: Install Square Nose

Index	Description	Qty
1	Front Cap Square Aluminum	1
2	3/8 x 1 Type F HWH	4

- 1) Figure 9.** Measure and make any cut-outs and place cap on trailer.
- 2)** Attach with 3/8 x 1 Type F HWH Bolts through trough into top rail.



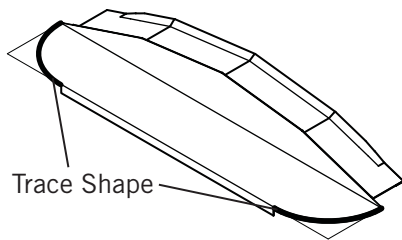
**Figure 9**

### Step 1d

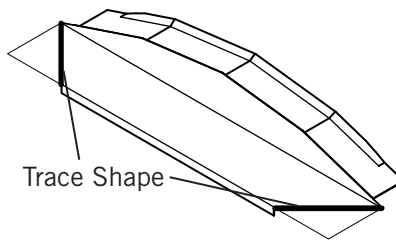
#### Aluminum Front Cap: Install Shaped to Nose

Index	Description	Qty
1	Front Cap Aluminum	1
2	Aluminum Strip 1/8 x 3	2
3	3/8 x 1 Type F HWH	4

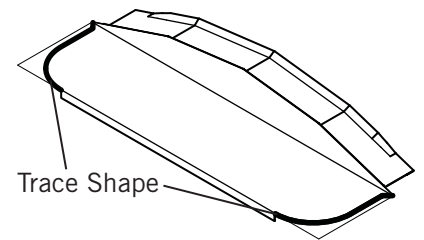
- 1)** Place cap on front of trailer, center and push lip up against the trailer.
- 2) Figure 10.** Trace the corner shape of nose onto front cap and cut-out shape



**Radius Corner**



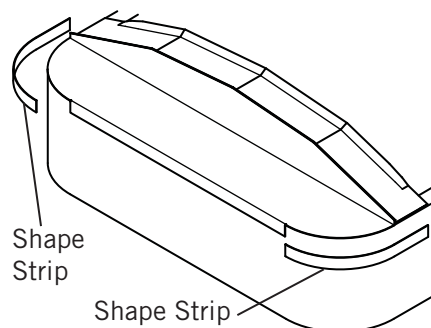
**Diagonal Corner**



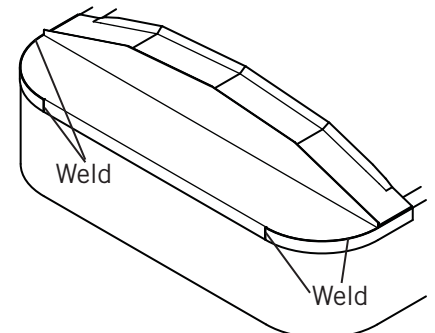
**Offset Corner**

**Figure 10**

- 3) Figure 11.** Attach with 3/8 x 1 Type F HWH Bolts through trough into top rail.
- 4) Figure 11.** Shape the aluminum strip around the corner of the trailer, mark and cut to length for both sides.
- 5) Figure 12.** Weld both pieces to the front cap.



**Figure 11**



**Figure 12**



# Classic Roll Tarp

## Installation Instructions

### Step 2a

#### Fabric Rear Cap: Install Double Bow Bracket or Heavy Duty Bows

Index	Description	Qty	Index	Description	Qty
1	Fabric Rear Cap	1	3	Bows	2
2	Double Bow or Heavy Duty Bracket	2	4	3/8 x 1 Type F HWH	8

**1) Figure 13.** Measure and mark 30" from the outside of the tailgate and 10" towards the rear from the previous mark.

**2) Figure 14.** Clamp first pocket of double bow bracket centered on mark on top rail.

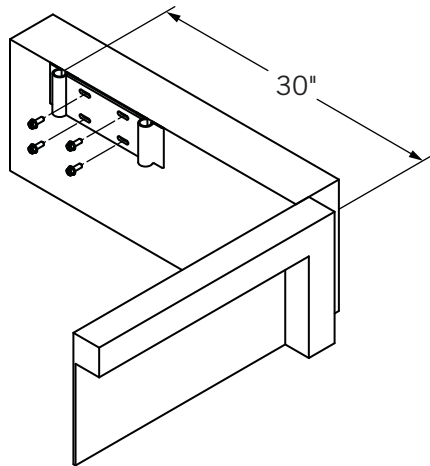
**3) Figure 14.** Position bracket and bow as shown to reduce tarp wear.

**Note:** Put the bolts in the center of the slots incase pocket needs to be adjusted.

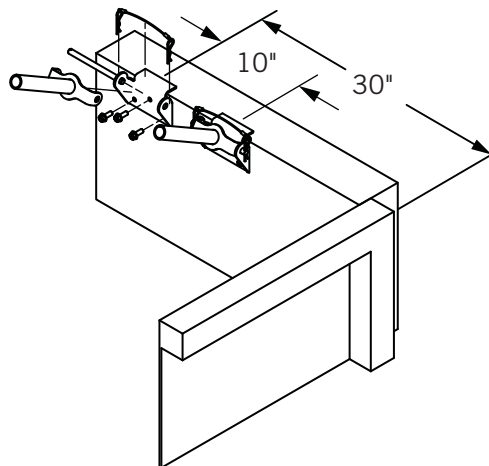
**4a) Figure 13.** Attach with 3/8 x 1 type F HWH bolts.

**4b) Figure 15.** Attach with 3/8 x 2-1/2 carriage bolts.

**Note:** There may be up to 3 different widths of aluminum bows, make sure you have the right one.

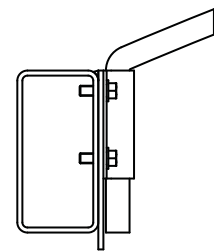


**Double Bow Bracket**



**Heavy Duty Bows**

**Figure 13**

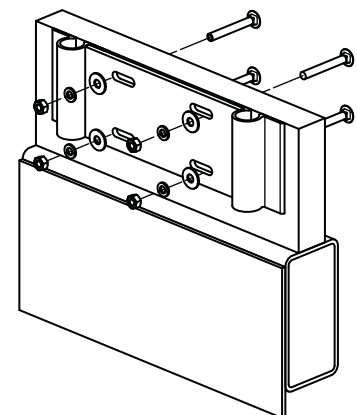


**Figure 14**

#### Install Double Bow Bracket to Sideboards

##### Hardware to Mount to Sideboards

Index	Description	Qty
7	5/16 X 2-1/2 CARRIAGE BOLT	8
8	5/16 FLAT WASHER	8
9	5/16 LOCK WASHER	8
10	5/16 HEX NUT	8



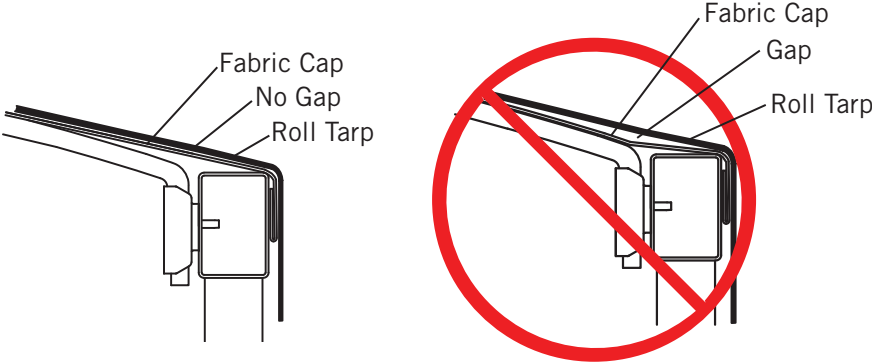
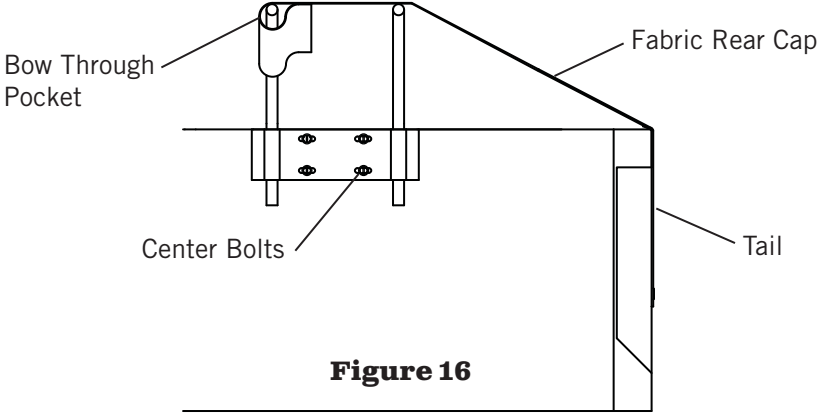
**Figure 15**

# Classic Roll Tarp

## Installation Instructions

5) **Figure 16.** Feed bow through top of fabric cap and install on trailer.

6) **Figure 17.** Pull cap tight when securing with Latch Plate or Roll Stop.



# Classic Roll Tarp

## Installation Instructions

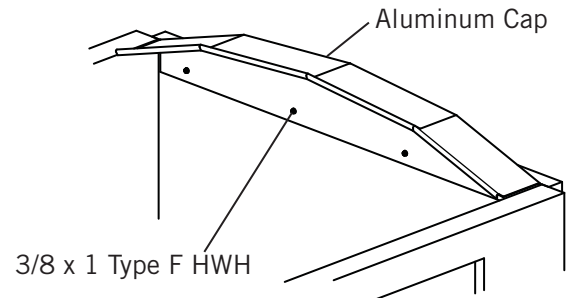
### Step 2b

Aluminum Rear Cap: Install to Mounted to Tailgate

Index	Description	Qty
1	Rear Cap Aluminum Tailgate	1
2	3/8 x 1 Type F HWH	4

**1) Figure 18.** Position aluminum rear cap centered on inside of tailgate with the bottom of the trough even with the side walls.

**2)** Drill pilot holes and secure with 3/8 x 1 Type F HWH bolts.



**Figure 18**

### Step 2c

Aluminum Rear Cap: Install with Fabric Tail

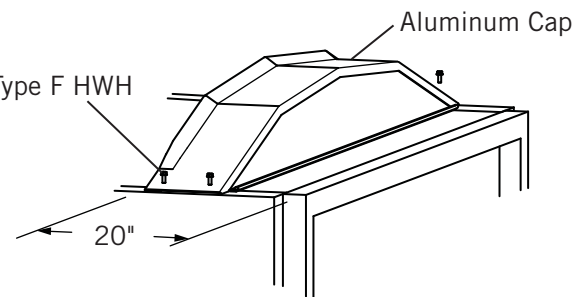
Index	Description	Qty
1	Rear Cap Aluminum with Tail	1
2	Fabric Rear Tail for Aluminum Cap	1
3	3/8 x 1 Type F HWH	4

**1) Figure 19.** Position aluminum rear cap on top rail centered on width, locate the front edge of cap 20" from outside of tailgate.

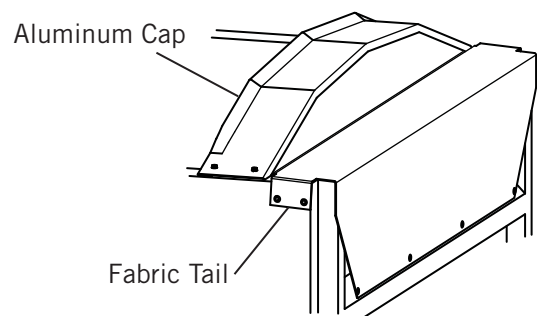
**2)** Drill pilot holes and secure with 3/8 x 1 Type F HWH bolts.

**3) Figure 20.** Insert welt on tail into Keder on back of cap and center on width. Use light oil to slide welt in keder.

**4)** Secure tail with rubber straps. See STEP XX on installing J-hooks for straps.



**Figure 19**



**Figure 20**

# Classic Roll Tarp

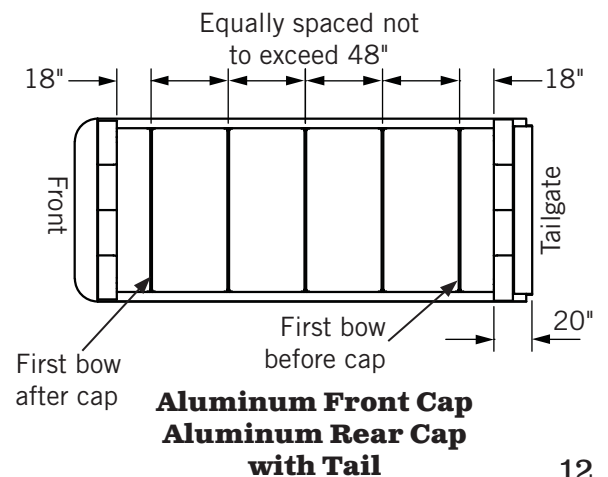
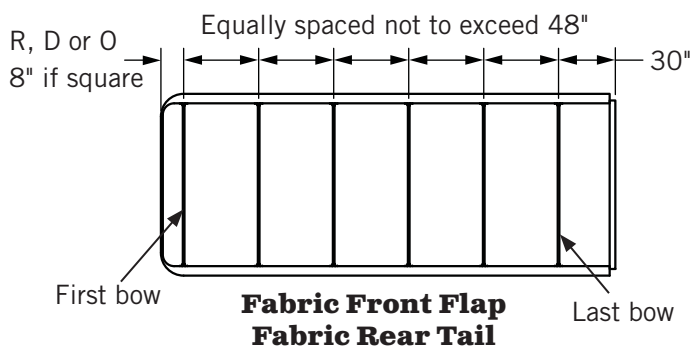
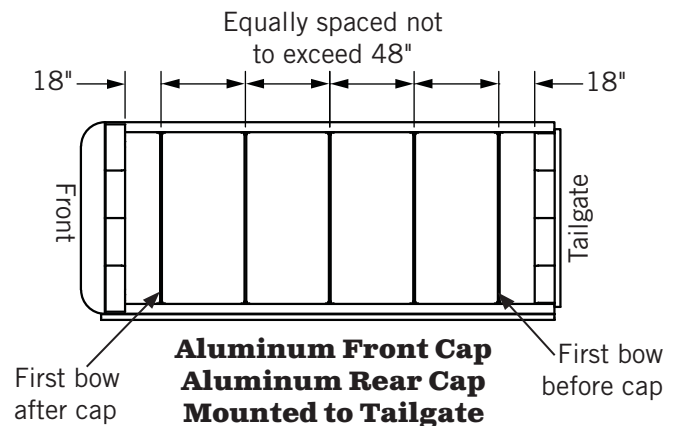
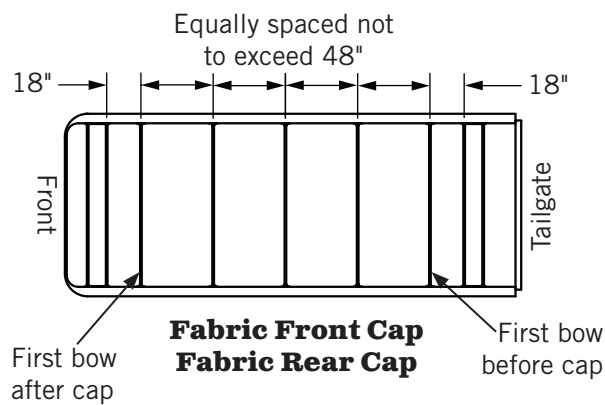
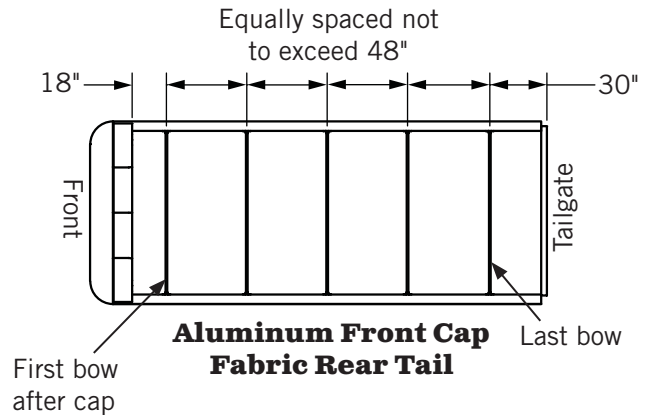
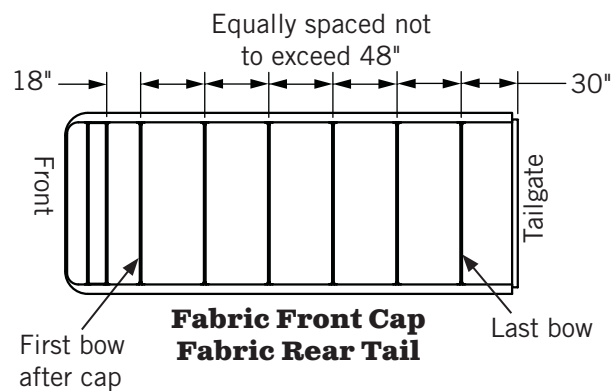
## Installation Instructions

### Step 3a

#### Marking Bow Location

1) Mark top rail according to what caps are on the trailer.

**⚠ IMPORTANT: DO NOT exceed 48" spacing for bow centers. This will void the warranty.**



# Classic Roll Tarp

## Installation Instructions

### Step 3b

#### Installing Aluminum Bows

**1) Figure 21.** Align aluminum pocket with marked bow location and flush with top of rail.

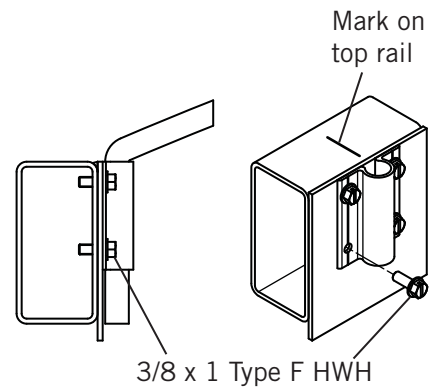
#### WELD

**2A)** Weld down each side of pocket.

#### BOLT

**2B)** Drill a pilot hole and attach with 3/8 x 1 type F HWH bolts.

**3) Figure 22.** Insert bow into pockets.



**Figure 21**



**Figure 22**

### Step 3c

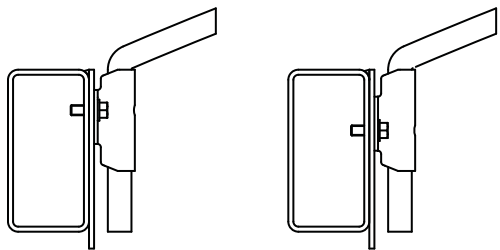
#### Installing Adjustable Steel Bows

**1) Figures 23 & 24.** Align steel pocket with marked bow location and adjust height so bend in bow is even with the top rail.

**2a) Figure 24.** Drill a pilot hole and attach with 3/8 x 1 type F HWH bolts.

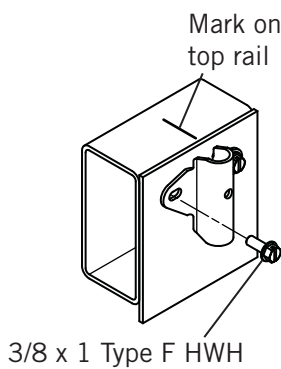
**2b) Figure 25.** Drill a pilot hole and attach with 3/8 x 1 type F HWH bolts.

**3) Figure 26.** Loosen set screw on bow. Insert bow into pockets into one pocket and adjust width and insert in other pocket and tighten set screw.



Bracket can be positioned high or low

**Figure 23**

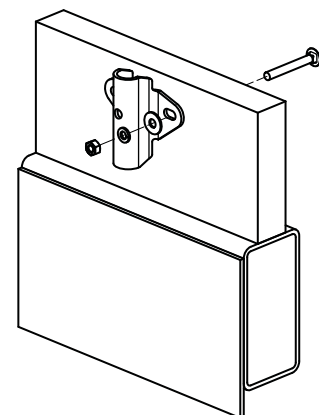


**Figure 24**

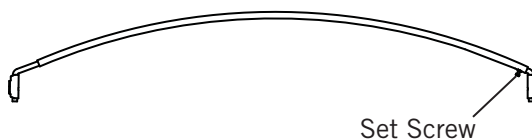
#### Install Bow Bracket to Sideboards

##### Hardware to Mount to Sideboards

Index	Description	Qty
7	5/16 X 2-1/2 CARRIAGE BOLT	8
8	5/16 FLAT WASHER	8
9	5/16 LOCK WASHER	8
10	5/16 HEX NUT	8



**Figure 25**



**Figure 26**

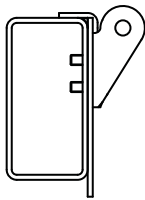
# Classic Roll Tarp

## Installation Instructions

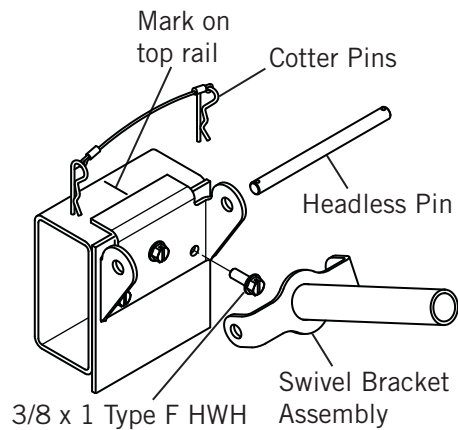
### Step 3d

#### Installing Heavy Duty Bows

- 1) Figures 27 & 28.** Align bracket with marked bow location and place on top of rail.
- 2) Figure 28.** Drill a pilot hole and attach with 3/8 x 1 type F HWH bolts. Repeat for opposite side.
- 3) Figure 28.** Attach swivel bracket assembly to base with headless pin and cotter pins.

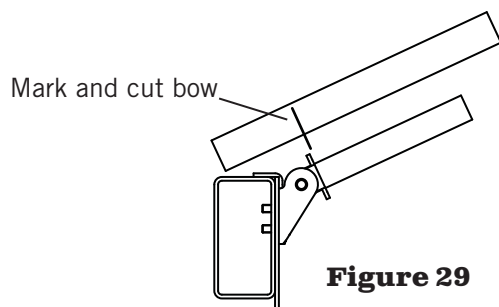


**Figure 27**



**Figure 28**

- 4)** On opposite side attach heavy duty bow assembly with headless pin and cotter pin.
- 5) Figure 29.** Mark heavy duty bow assembly, disassemble, and cut to length.
- 6) Figure 30.** Reassemble with swivel bracket assembly inserted into the heavy duty bow assembly.



**Figure 29**



**Figure 30**

# Classic Roll Tarp

## Installation Instructions

### Step 3e

#### Installing Flex Bows

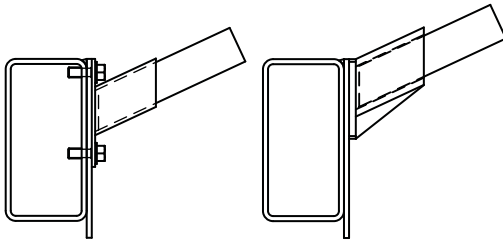
**1) Figures 31 & 32.** Align pocket with marked bow location and flush with top of rail.

WELD

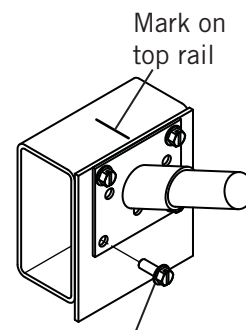
**2A)** Weld down each side of pocket.

BOLT

**2B) Figure 32.** Drill a pilot hole and attach with 3/8 x 1 type F HWH bolts.



**Figure 31**



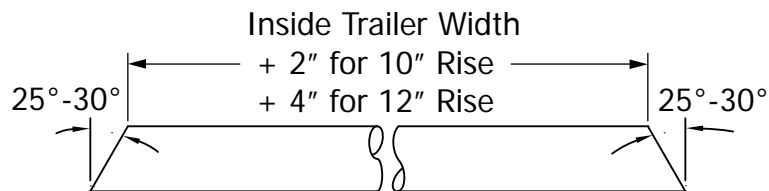
3/8 x 1 Type F HWH

**Figure 32**

**▲ IMPORTANT:** The ends of the bow must be cut to the proper angle or the warranty is void. The flex bow has a pre-set arch or spline, make sure the arch is up when cutting the ends.

**3) Figure 33.** Cut both ends of the flex bow at 25°-30° angle and 2" longer than the inside width of the trailer.

**4) Figure 34.** Insert bow into pockets.



**Figure 33**



**Figure 34**

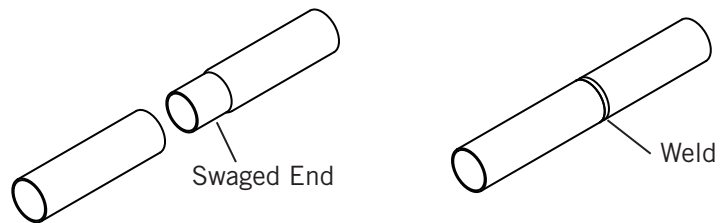
# Classic Roll Tarp

## Installation Instructions

### Step 4a

#### Assemble Anchor Pipe and Roll Pipe

1) See Figures 35 & 36. Attach lengths of anchor pipe and roll pipe and weld together.



2) See Figure 37. Cut the anchor pipe flush with the ends of the pocket on the tarp.

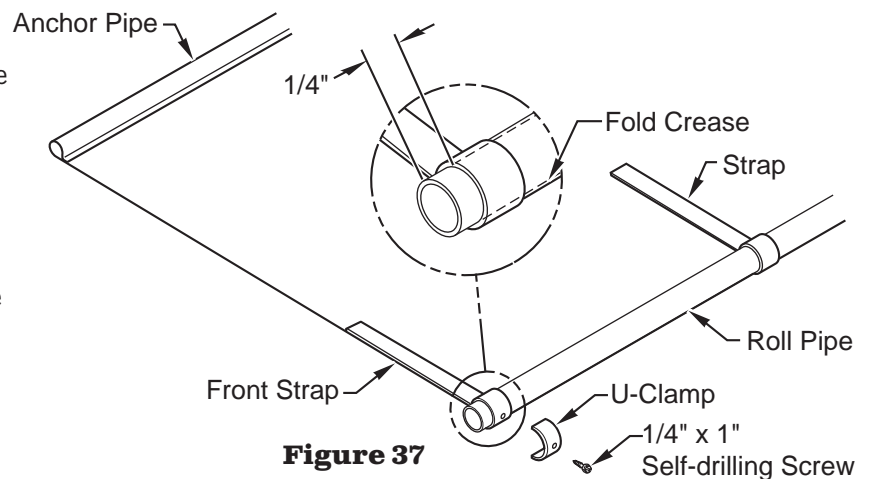
3) Place rubber cups on ends of anchor pipe.

4) See Figure 37 Slide the anchor pipe into the tarp pocket and secure with #14 x 1 PPH self drilling screw.

5) See Figure 37. Slide the roll pipe into the other pocket and leaving 1/4" sticking out at the front of the tarp.

6) See Figure 37. At each strap secure tarp to roll pipe with U-clamp and #14 x 1 PPH self drilling screw.

**Note:** Do not cut the roll pipe at the rear of the tarp, that will be done later.



### Step 4b

#### Position Tarp on Trailer

1) Figures 38 & 39. Roll the tarp onto the roll pipe and place on the trailer. Position the tarp front to back accordingly.

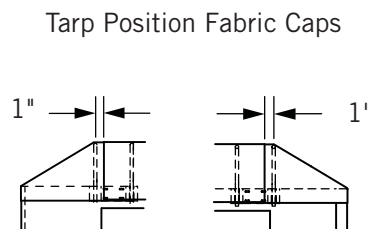


Figure 38

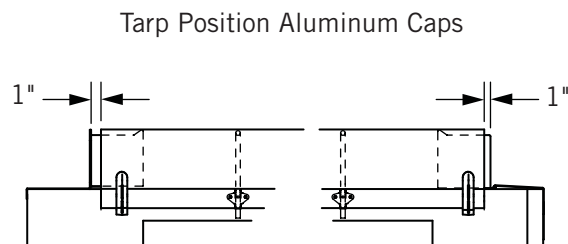


Figure 39



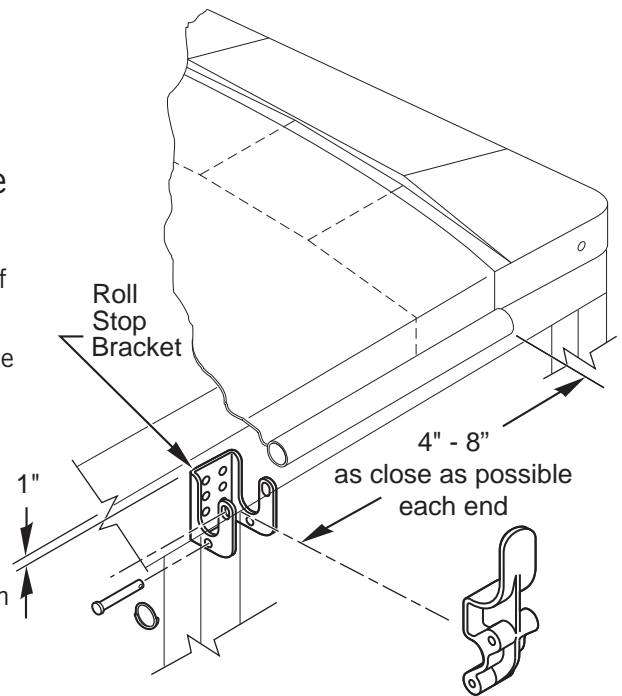
# Classic Roll Tarp

## Installation Instructions

### Step 5

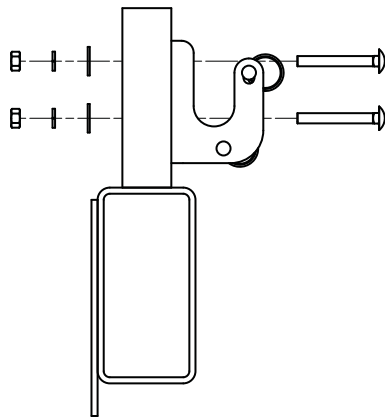
#### Installing Roll Stops and Secure Anchor Pipe

- 1) Place tarp on trailer body and center on caps.
- 2) **Figure 40.** Locate first roll stop bracket 4"-8" from end of anchor pipe and 1" down from top rail.
- 3a) **Figure 40.** Drill a pilot hole and attach with 3/8 x 1 type F HWH bolts.
- 3b) **Figures 41 & 42.** Drill a pilot hole and attach with 3/8 x 2-1/2 carriage bolts.
- 4) Locate last roll stop bracket 4"-8" from end of anchor pipe or as close as possible and 1" down from top rail.
- 5) Evenly space roll stop brackets along top rail with maximum of 96" apart.
- 6) Place anchor pipe into roll stop and assemble roll stop.



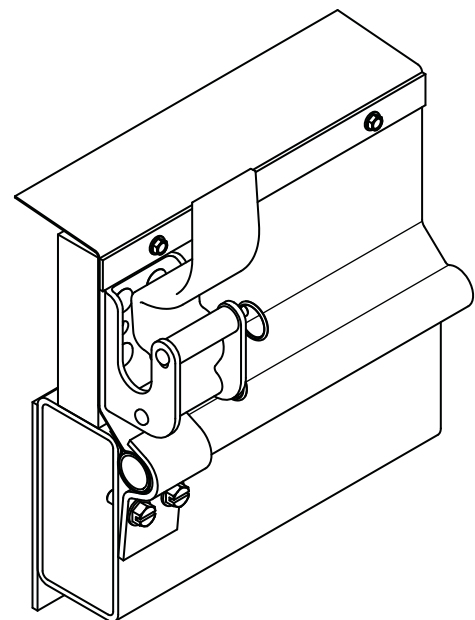
**Figure 40**

#### Install Anchor Pipe & Roll Stops to Sideboards



**Figure 41**

#### Install Anchor Pipe to Top Rail & Roll Stops to Sideboards



**Figure 42**

#### Hardware to Mount to Sideboards

Index	Description
1	5/16 X 2-1/2 CARRIAGE BOLT
2	5/16 FLAT WASHER
3	5/16 LOCK WASHER
4	5/16 HEX NUT
5	1/8" x 1" x 12' FLAT ALUMINUM
6	SCREW #14 X 1 HWH AB ZINC
7	CLAMP, ANCHOR PIPE
8	3/8 X 1 TYPE F HWH BOLT

# Classic Roll Tarp

## Installation Instructions

### Step 6

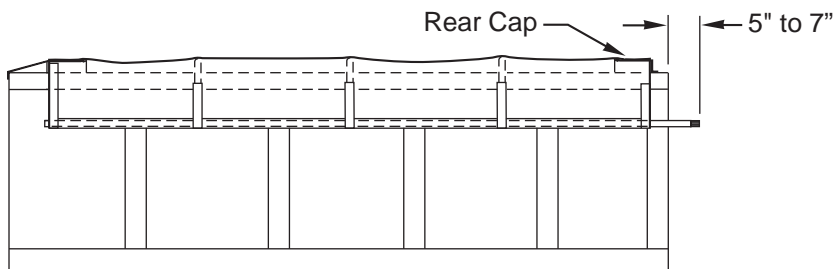
#### Cut Roll Pipe and Weld Crank Drive

**Note:** Length of roll pipe is subject to tarp with tail and obstructions attached to tailgate and may need to be longer than noted here.

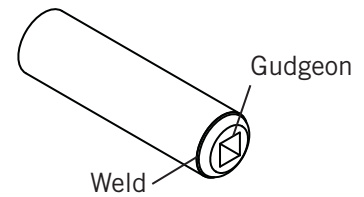
**1a) Figure 43.** Tarp with caps the roll pipe should be 5"-7" past tailgate. Mark and cut roll pipe.

**1b)** Tarps with a tail the roll pipe should be 12"-15" past tailgate. Mark and cut roll pipe.

**2) Figure 44.** Insert the spline drive (Kwik Lock) or gudgeon (Classic Roll Tarp) and weld in place.



**Figure 43**

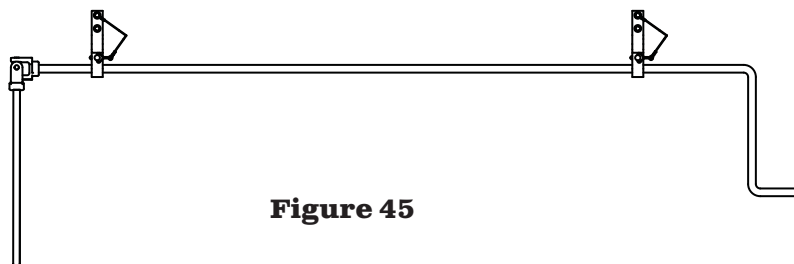


**Figure 44**

### Step 7

#### Crank Storage

**1) Figure 45.** Mount two crank retainers within easy reach of the operator.  
Secure with 3/8 x 1 type F HWH bolts.



**Figure 45**

# Classic Roll Tarp

## Installation Instructions

### Step 8

#### Install Ratchets and Straps

##### Ratchet with Hook

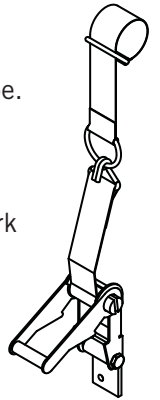
**1) Figures 46 & 48.** 2"-4" from front edge of tarp cut slit in tarp and wrap strap around the roll pipe.

**Note:** Twisting the strap a turn to a turn and a half will help keep the strap from hitting the side of the trailer while driving down the road.

**2) Figure 46.** Release ratchet strap completely and hook onto D-ring. Pull down on the ratchet, mark the location, making sure there is enough slack to remove the hook from the D-Ring.

**3)** Drill pilot holes and attach with 3/8 x 1 type F bolt.

**4) Figure 46.** Space ratchets evenly down side of trailer.



**Figure 46**

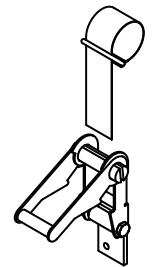
##### Ratchet without Hook

**1) Figure 47 & 48.** 2"-4" from front of tarp cut slit in tarp and wrap strap around the roll pipe.

**2) Figure 47.** Pull down on the strap, place the ratchet so the end of the strap can clearly go through the slot in the ratchet and mark the location.

**3)** Drill pilot holes and attach with 3/8 x 1 type F bolt.

**4) Figure 47.** Space ratchets evenly down side of trailer.

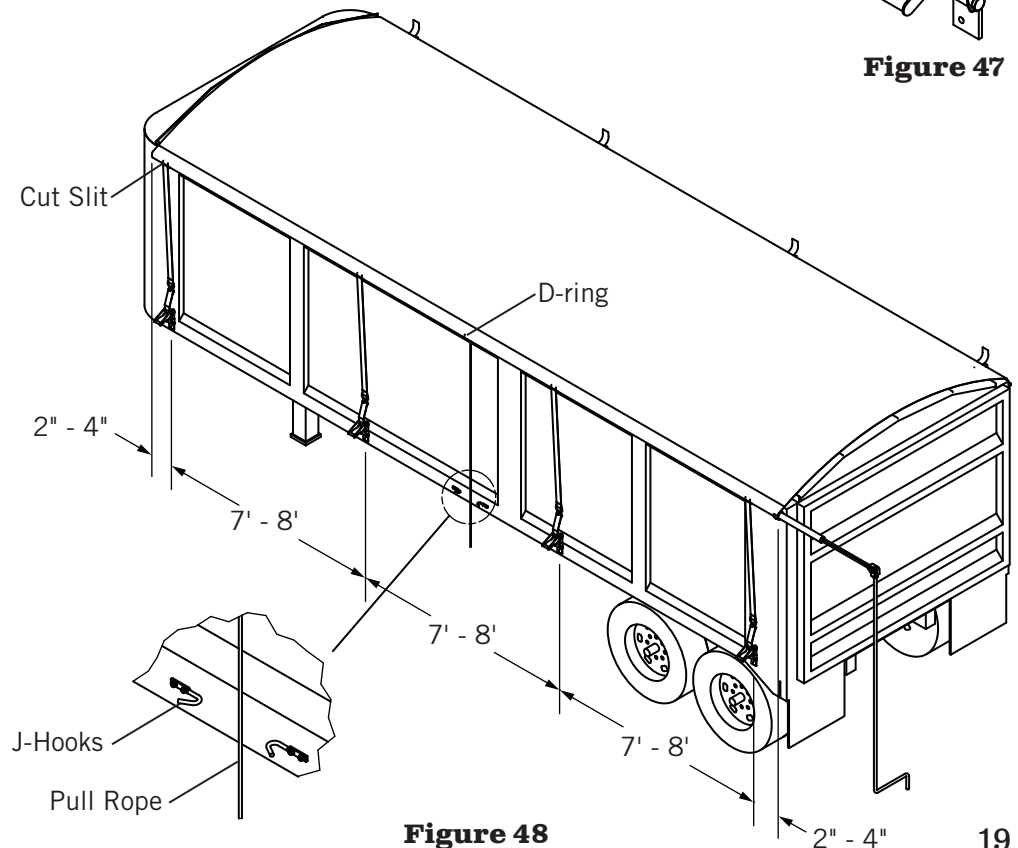


**Figure 47**

##### Pull Rope

**1) Figure 48.** A D-ring is centered on the length of the tarp. Wrap the rope around the D-ring and firmly tie it.

**2) Figure 48.** Place the J-hooks in an easy to reach location. Drill pilot holes and attach with #14 x 1 TEK bolts.



**Figure 48**

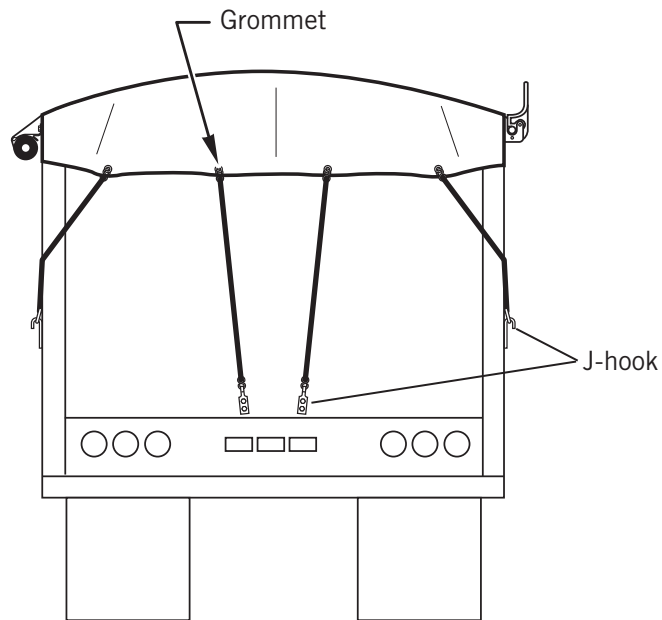
# Classic Roll Tarp

## Installation Instructions

### Step 9

#### Secure Front Flap and Rear Tail with Rubber Straps

- 1) **Figure 49.** Attach rubber straps to grommets in tarp.
- 2) **Figure 49.** Stretch rubber strap and locate placement of J-hook.
- 3) Drill pilot holes and attach with 14 x 1 TEK screw.



**Figure 49**

# Classic Roll Tarp

## Installation Instructions

### How to Operate Classic Roll Tarp System

#### How to Uncover the Load

1) Release all ratchet straps, rubber straps, and unwrap pull rope.

**Note:** Make sure straps are completely loose from ratchets and J hooks.

2) Insert the crank into the square hole on the roll pipe and roll tarp to opposite side of trailer.

3) Remove crank and store in convenient location.

#### How to Cover the Load

1) Pull rope until tarp hangs down side of trailer.

**Note:** Twisting the strap a turn to a turn and a half will help keep the strap from hitting the side of the trailer while driving down the road.

2) Attach straps to ratchets and ratchet tarp tight.

3) Use rubber straps to secure front flap (if applicable) and rear tail.

4) Wrap pull rope around J hooks and secure so it doesn't come loose.

# **Classic Roll Tarp**

## **Installation Instructions**

### **How to Maintain Classic Roll Tarp**

Minimal maintenance is required. Individual usage and operating conditions will determine when to inspect your tarp system. Aero Industries recommends a weekly inspection of the following items:

- ☑ **Screws:** Make sure all mounting bolts and screws are in place and tight and that no parts are worn or damaged.
- ☑ **General:** Replace all worn or broken parts immediately.

Replacement Parts may be obtained from the dealer or by contacting Aero Industries.

# Classic Roll Tarp

## Installation Instructions

# Classic Roll Tarp



**INDIANAPOLIS, IN**  
Indianapolis, IN 46241  
800-535-9545  
FAX: 317-244-1311

**OMAHA, NE**  
Omaha, NE 68137  
800-535-9545  
FAX: 402-895-6129

**STREETSBORO, OH**  
Streetsboro, OH 44241  
800-535-8552  
FAX: 330-626-3277

©2014 Aero Industries, Inc.

US: 3384413, 3785694, 4657062, 6715817, 6857682, 6886879, 7032950

Canada: 2466454, 2514605, 2607746

UK: 2413119