

Roll-off Container
Fixed AeroForce Pivot

MODEL AF825
AEROFORCE[®]  ROC

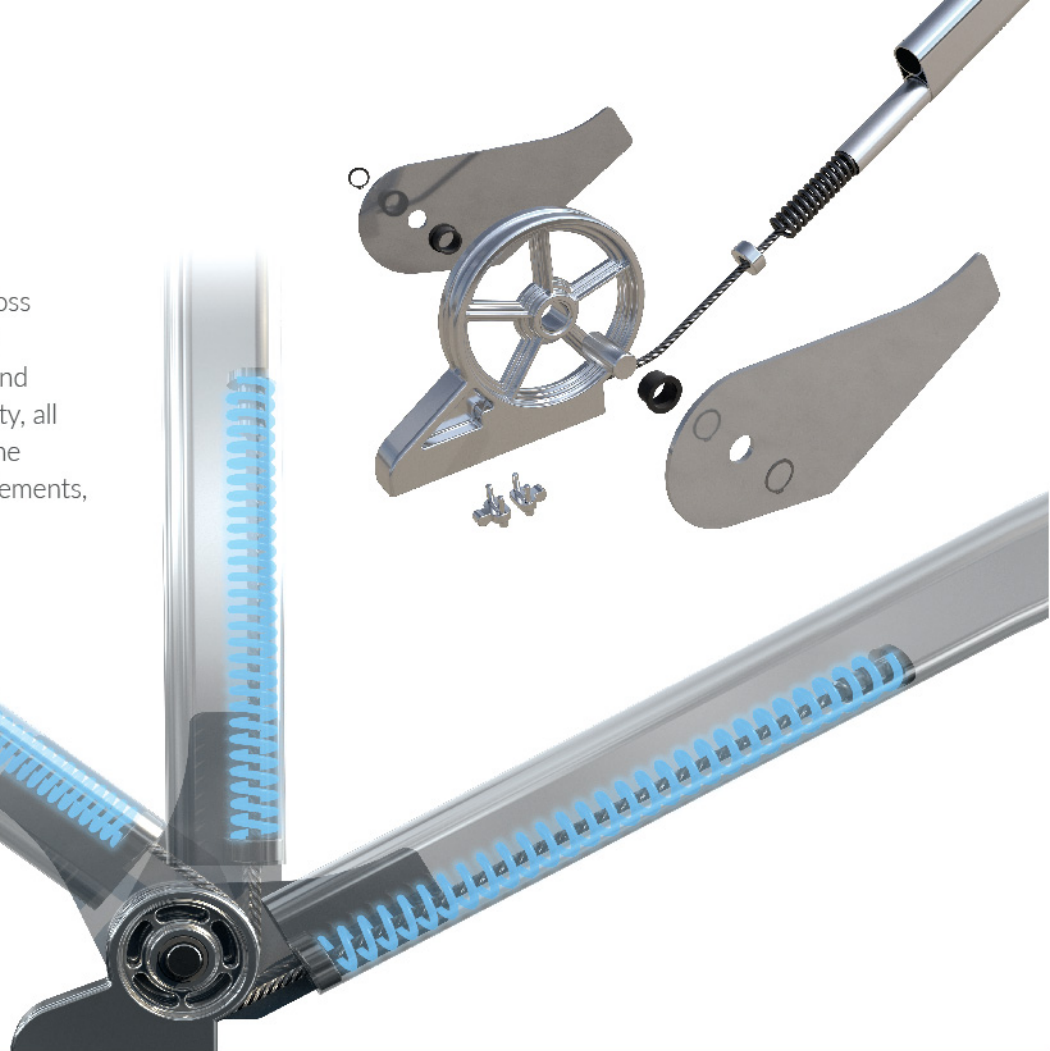


1

INTERNAL COMPRESSION SPRING TECHNOLOGY

Minimizes spring fatigue and tension loss over time. This ensures that even your heaviest loads are transported safely and securely, haul after haul. The heavy duty, all aluminum arm construction protects the spring from road and environmental elements, ensuring maximum spring longevity.

Minimizes spring fatigue and tension loss over time



INNOVATIVE TECHNOLOGY

2

RAISING THE INDUSTRY BAR FOR STRENGTH, DURABILITY... AND GOOD LOOKS

The strength, shape, and size of the extrusions, combined with our unbelievably strong arm castings, means our revolutionary arm technology is 8x stronger than the competition. The industry's only adjustable one-piece arm eliminates a smaller, weaker two-piece design, yet allows installers to easily adjust arm lengths.

Strong and durable

One-piece adjustable arm

Polished aluminum

8x
STRONGER

SHOWN
ACTUAL SIZE
2.44" X 4.69"

3

ELECTRIC MOTOR

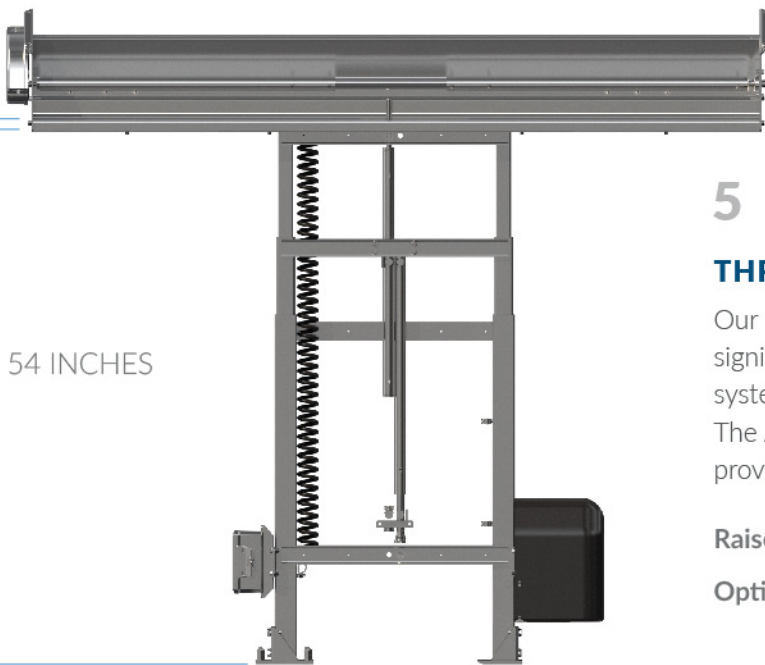
Aero's electric motor is the most reliable in the industry. Equipped with a chrome cover, our proven design is backed by a 3-year warranty.



STRONG SOLUTIONS

RAISES TO
102 INCHES

54 INCHES



5

THREE-STAGE, DUAL-CYLINDER TOWER

Our ROC systems tower is designed to provide significantly more flexibility than the industry leading system as it covers 20, 30, and 40 yard containers. The AeroForce tower has a two stage design providing 48" of vertical travel.

Raises from 54 to 102 inches

Optional mounts available

4

WIRELESS CONTROL

ROC tarp systems are equipped with wireless controls, allowing the operator to safely and accurately view the system throughout operation.

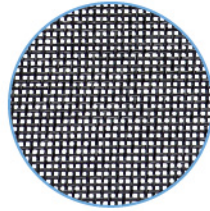




TARP

Various fabrics available, including Monster Mesh—a rugged fabric that is hurricane tested.

Multiple widths available to fit each application.



Monster Mesh



TARP HOUSING

Sloped design provides maximum drainage of debris and water.

Available with optional work lights.



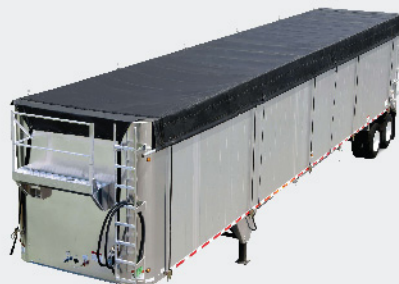
AEROFORCE S2S

A revolutionary new tarp system built from the ground up, delivering the ultimate in versatility, durability, and performance. The AeroForce side-to-side tarp system is designed for multiple trailer configurations including refuse and end dump.



REFUSE ROLL TARPS

In a matter of minutes, your trailer can be completely uncovered using the Aero side-to-side roll tarp system. Just undo the straps and smoothly crank the roll tarp across the trailer.



LID 2

The industry's strongest refuse flip tarp system is now lighter, faster and stronger than ever. The Lid 2 provides a more durable design along with an easier to maintain structure, minimizing repair costs.



Copyright © 2019 Aero Industries, Inc. Aero, the chevron, Easy Cover, AeroForce S2S, and Lid2 are registered trademarks of Aero Industries. AeroForce is a trademark of Aero Industries. All rights reserved.

These products may be covered by the following patents: Easy Cover US: 5129698, 5174625, 6234562, 6318790, 6338521, 6367862, 6457622, 6474719, 6536836, 6575518, 6575519, 6578897, 6637800, 6712419, 6786735, 6942274, 7275780, 205927, 8220859, 8267461, 8444206, 8550532, 8690223, 8882172, 9056541, 9073416, 9327583, 9812923, 10023033 B2, others pending; Canada: 2073714, 2074607, 2394047, 2403478, 2403484, 2471029, 2499561, 2526379, 2699021, 2775212, 2744164, 2842179, others pending; UK: GB2469379 AeroForce US: 10023033, 9969248, other patents pending LID2 US: 6983975B2, 7147264B2; UK: GB2425759, GB2435017 Roll Tarp patents US: 3384413, 3785694, 4657062, 6715817, 6857682, 6886879, 7032950, 9812923, 10023033 B2, 10155435, other patents pending; Canada: 2466454, 2514605, 2607746, 2775212; UK: GB2413119B

INDIANAPOLIS, IN
800.535.9545

OMAHA, NE
800.535.8552

KENT, OH
888.237.2262

aeroindustries.com