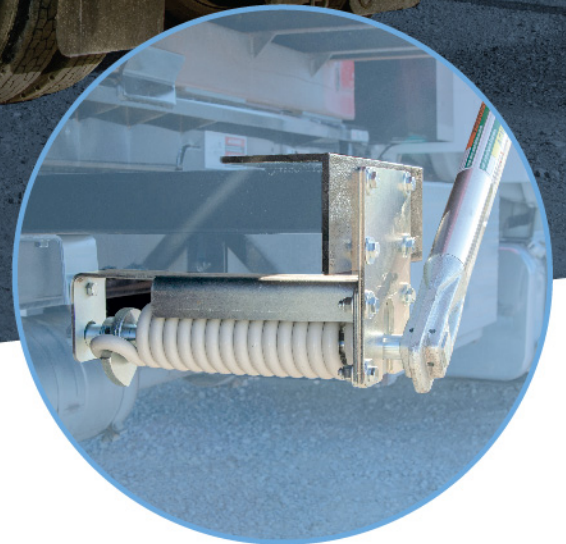


AERO[®]
EASYCOVER
MODEL EC850



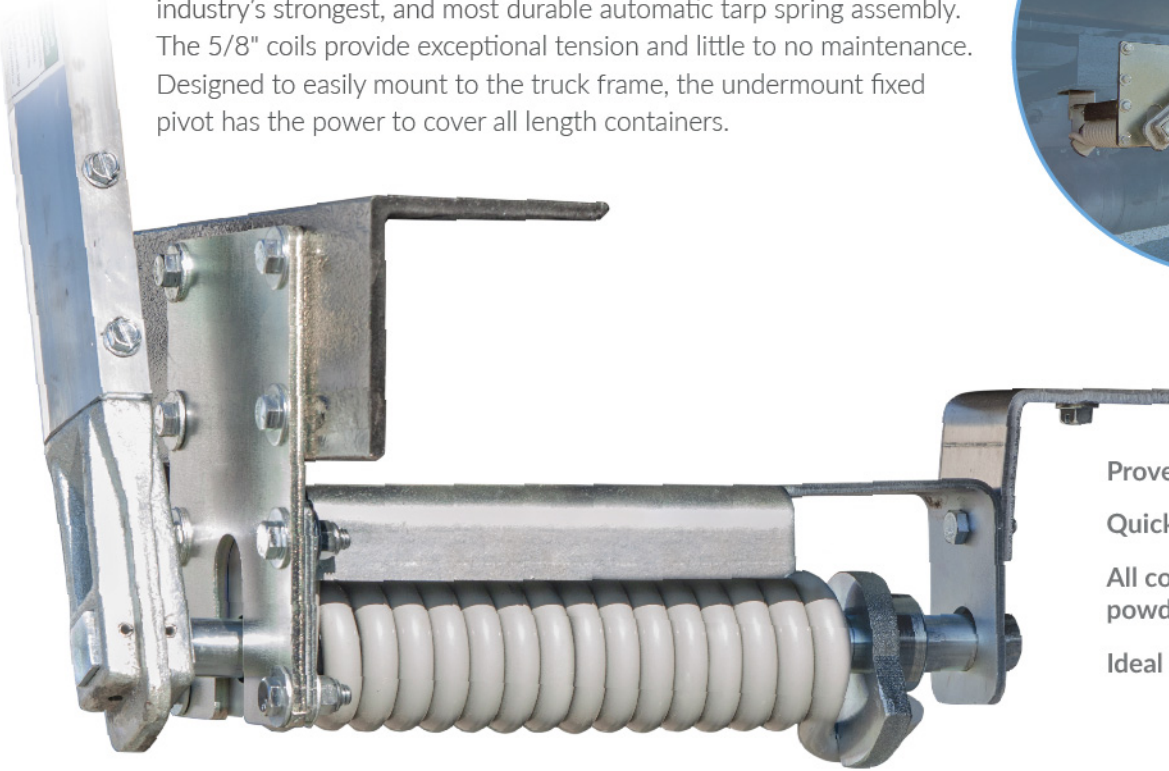
Roll-off Container
Fixed Undermount Pivot



1

UNDERMOUNT SPRING ASSEMBLY

For over 30 years, Aero's Undermount is widely recognized as the industry's strongest, and most durable automatic tarp spring assembly. The 5/8" coils provide exceptional tension and little to no maintenance. Designed to easily mount to the truck frame, the undermount fixed pivot has the power to cover all length containers.



- Proven strength and longevity
- Quick and easy to install
- All components plated or powder coated
- Ideal for all length containers

PROVEN ARM TECHNOLOGY

2

RAISING THE INDUSTRY BAR FOR STRENGTH, DURABILITY... AND GOOD LOOKS

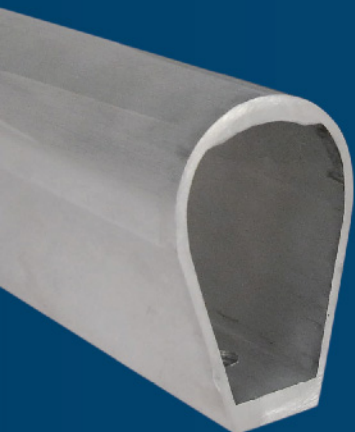
The Easy Cover arms have successfully been used in the end dump construction and scrap hauling market for almost 30 years. The strength is derived from the combination of the extrusion shape and alloy. Easy Cover arms are easy to assemble and adjust to the proper length.

Strong due to shape and alloy

Two-piece design for easy installation and adjustment

**STRONG
AND
DURABLE**

SHOWN
ACTUAL SIZE
1.71" X 2.76"



3

ELECTRIC MOTOR

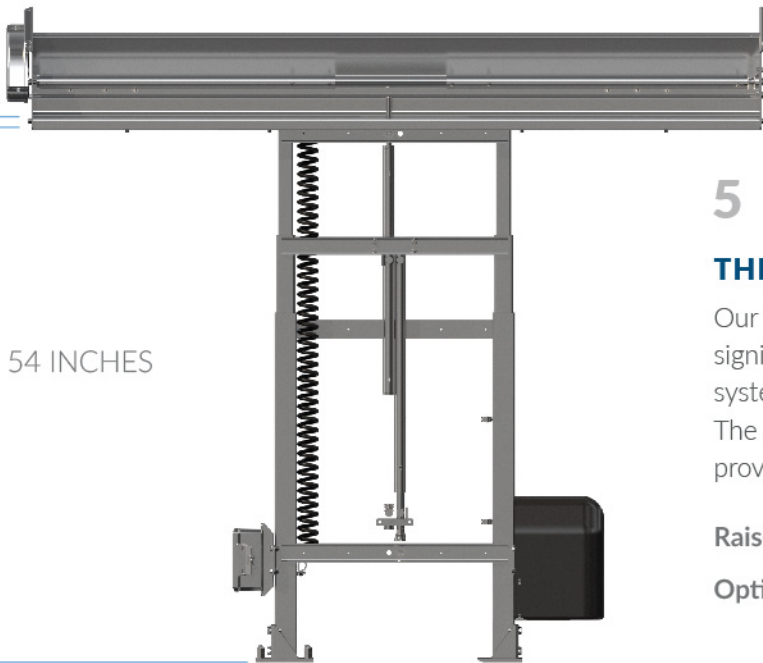
Aero's electric motor is the most reliable in the industry. Equipped with a chrome cover, our proven design is backed by a 3-year warranty.



STRONG SOLUTIONS

RAISES TO
102 INCHES

54 INCHES



5

THREE-STAGE, DUAL-CYLINDER TOWER

Our ROC systems tower is designed to provide significantly more flexibility than the industry leading system as it covers 20, 30, and 40 yard containers. The AeroForce tower has a two stage design providing 48" of vertical travel.

Raises from 54 to 102 inches

Optional mounts available

4

WIRELESS CONTROL

ROC tarp systems are equipped with wireless controls, allowing the operator to safely and accurately view the system throughout operation.





TARP

Various fabrics available, including Monster Mesh—a rugged fabric that is hurricane tested.

Multiple widths available to fit each application.



Monster Mesh



TARP HOUSING

Sloped design provides maximum drainage of debris and water.

Available with optional work lights.



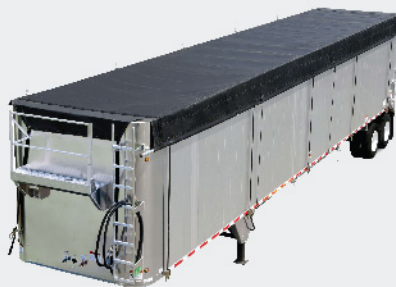
AEROFORCE S2S

A revolutionary new tarp system built from the ground up, delivering the ultimate in versatility, durability, and performance. The AeroForce side-to-side tarp system is designed for multiple trailer configurations including refuse and end dump.



REFUSE ROLL TARPS

In a matter of minutes, your trailer can be completely uncovered using the Aero side-to-side roll tarp system. Just undo the straps and smoothly crank the roll tarp across the trailer.



LID 2

The industry's strongest refuse flip tarp system is now lighter, faster and stronger than ever. The Lid 2 provides a more durable design along with an easier to maintain structure, minimizing repair costs.



Copyright © 2019 Aero Industries, Inc. Aero, the chevron, Easy Cover, AeroForce S2S, and Lid2 are registered trademarks of Aero Industries. AeroForce is a trademark of Aero Industries. All rights reserved.

These products may be covered by the following patents: Easy Cover US: 5129698, 5174625, 6234562, 6318790, 6338521, 6367862, 6457622, 6474719, 6536836, 6575518, 6575519, 6578897, 6637800, 6712419, 6786735, 6942274, 7275780, 205927, 8220859, 8267461, 8444206, 8550532, 8690223, 8882172, 9056541, 9073416, 9327583, 9812923, 10023033 B2, others pending; Canada: 2073714, 2074607, 2394047, 2403478, 2403484, 2471029, 2499561, 2526379, 2699021, 2775212, 2744164, 2842179, others pending; UK: GB2469379 AeroForce US: 10023033, 9969248, other patents pending LID2 US: 6983975B2, 7147264B2; UK: GB2425759, GB2435017 Roll Tarp patents US: 3384413, 3785694, 4657062, 6715817, 6857682, 6886879, 7032950, 9812923, 10023033 B2, 10155435, other patents pending; Canada: 2466454, 2514605, 2607746, 2775212; UK: GB2413119B

INDIANAPOLIS, IN
800.535.9545

OMAHA, NE
800.535.8552

KENT, OH
888.237.2262

aeroindustries.com