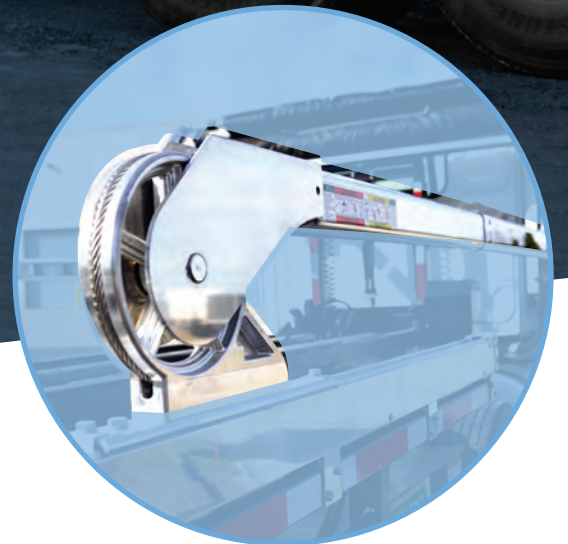




Roll-off Container

Tarp Solutions



REVOLUTIONARY NEW TARP SYSTEM

AEROFORCE ROC

Roll Off Container Tarp System

Built from the ground up, the AeroForce ROC tarp system delivers the ultimate roll-off application versatility, strength, and security. Available in both fixed and sliding pivots, with bent or straight arm configurations. Aero's roll-off container solutions cover 20, 30 and 40 yard containers.



AEROFORCE[®] ROC

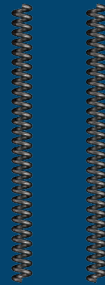
1

OUR REVOLUTIONARY COMPRESSION SPRING TECHNOLOGY OUT MUSCLES THE COMPETITION

At the heart of the AeroForce system is our patented internal compression spring technology. A single AeroForce compression spring delivers almost 2x more downforce when compared to competitor springs. The heavy duty, all aluminum arm construction protects the spring from road and environmental elements, ensuring maximum spring longevity.

Minimizes spring fatigue and tension loss over time

2 compression springs = 16 clock springs



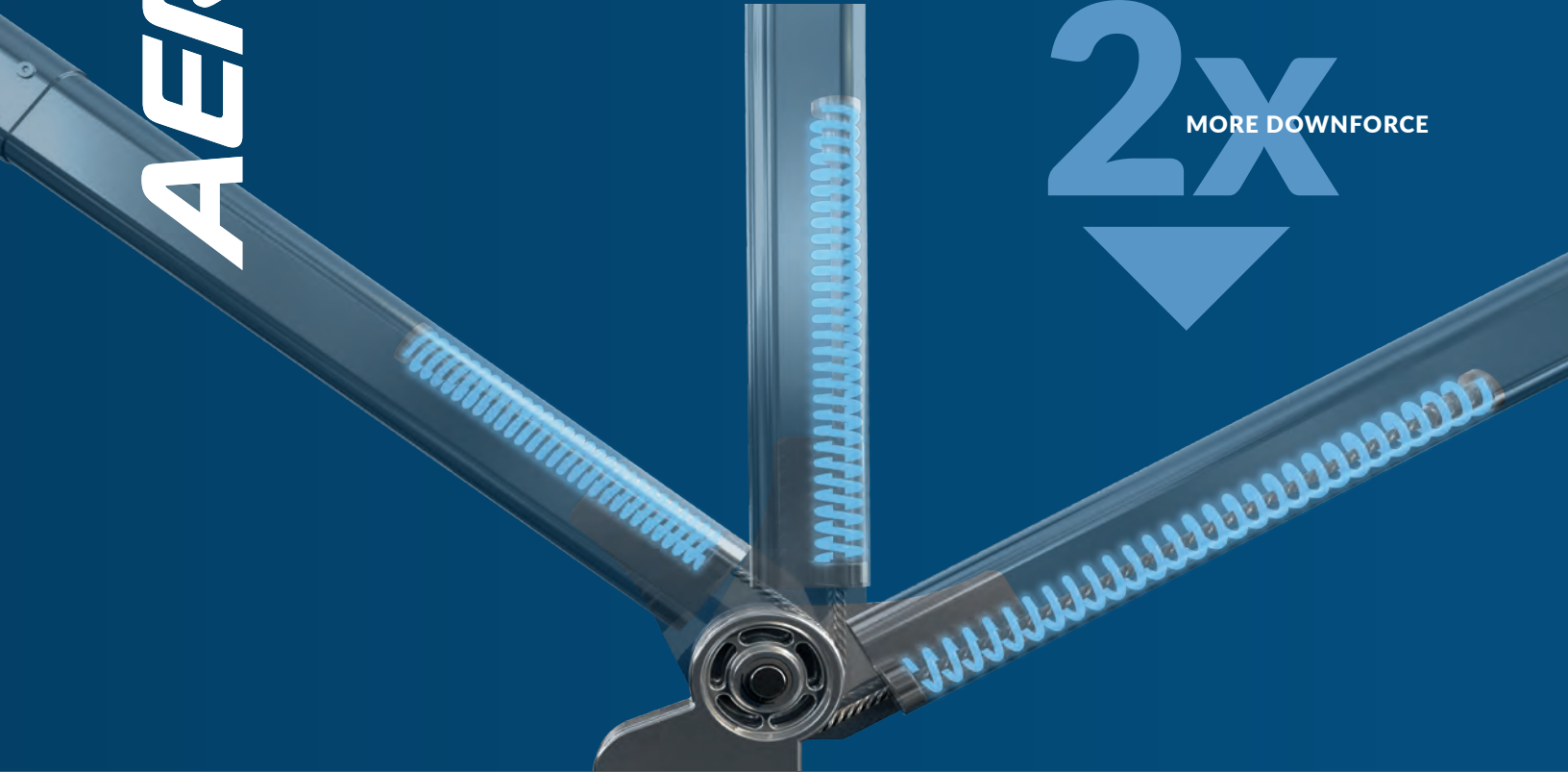
AeroForce
compression spring



competitor's
clock spring

8x
STRONGER

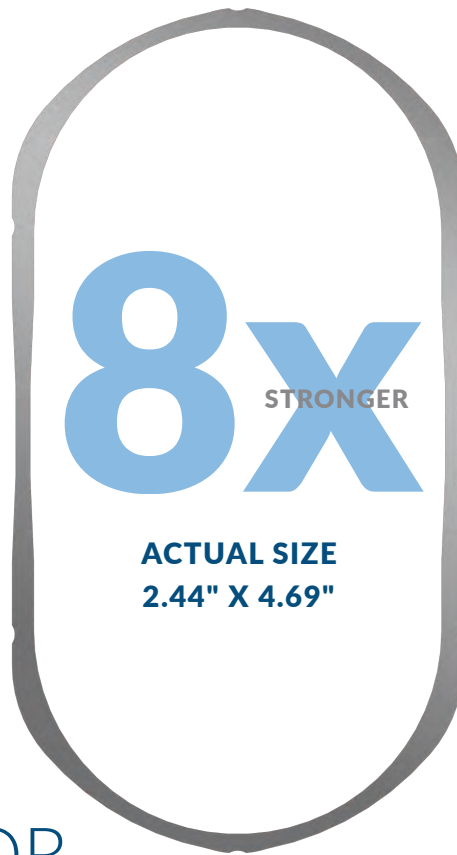
2x
MORE DOWNFORCE



2

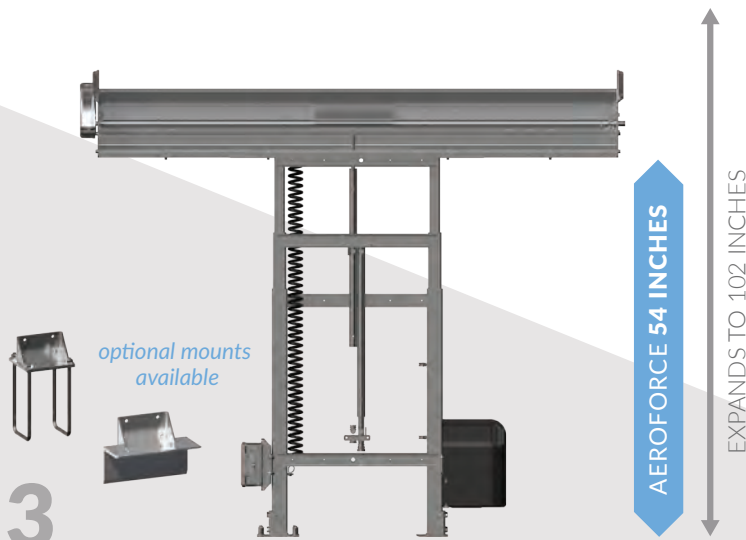
RAISING THE INDUSTRY BAR FOR STRENGTH, DURABILITY AND GOOD LOOKS

The strength, shape, and size of the extrusions, combined with our unbelievably strong arm castings, mean our revolutionary arm technology is 8x stronger than the competition. The industry's only adjustable one-piece arm eliminates a smaller, weaker two-piece design, yet allows the installers to easily adjust the arm lengths.



shown with optional 45° offset arm

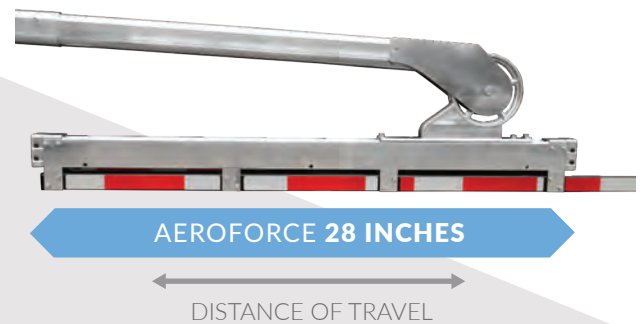
ENGINEERED FOR **GREATER CLEARANCE** **VERSATILITY AND STRENGTH**



3

TWO OR THREE-STAGE, DUAL-CYLINDER TOWERS AND SLIDING OR FIXED PIVOTS ARE DESIGNED FOR MAXIMUM VERSATILITY

The AeroForce ROC system's pivots and towers are designed to provide significantly more flexibility than the industry leading systems as it includes models covering 20, 30, and 40 yard containers. The AeroForce three-stage tower provides 48" of vertical travel. Available with optional work lights.

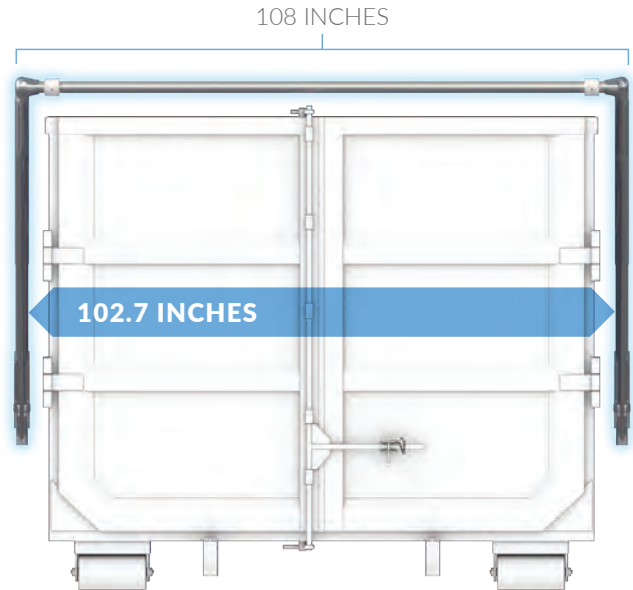


The sliding pivots on the AeroForce ROC Model 925 system travel 28", yet another reason why the AeroForce system provides significantly more length versatility.

4

OUR SYSTEM'S INTERNAL CLEARANCE FURTHER WIDENS THE GAP FROM OUR COMPETITION

The 102.7" internal width clearance of the AeroForce ROC tarp system allows you to better maintain system integrity.



5

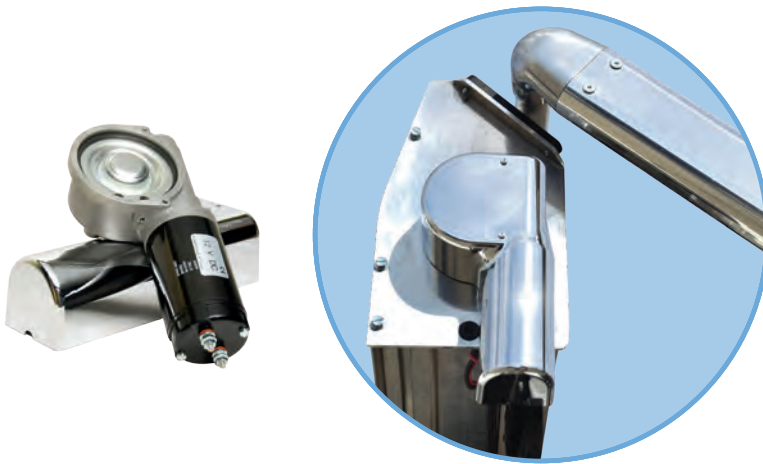
PROVEN MOTOR TECHNOLOGY

Aero's electric motor is the most reliable in the industry. Equipped with a chrome cover, our proven design is backed by a 3-year warranty.

All metal construction

Maintains 3" width

Self-locking gears—no mechanical or magnetic brake



6

WIRELESS CONTROLS ALLOW YOU TO WALK AROUND THE SYSTEM WHILE THE TARP IS IN MOTION

Not limited to one position, the wireless controls on the AeroForce ROC tarp system allow the operator to safely and accurately view the system throughout operation. Fitting in the palm of your hand, the remote enables easy opening and closing of the full tarp system.

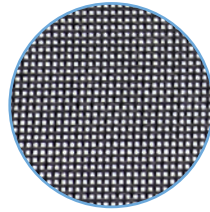




TARP

Various fabrics available, including heavy duty mesh—a rugged fabric that is hurricane tested.

Multiple widths available to fit each application.



TARP HOUSING

Sloped design provides maximum drainage of debris and water.

Available with optional work lights



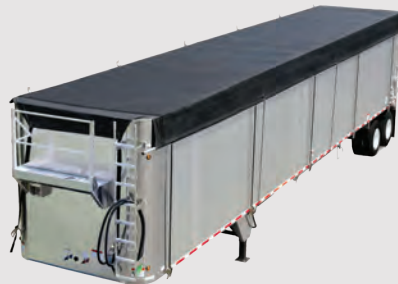
AEROFORCE S2S

A revolutionary new tarp system built from the ground up, delivering the ultimate in versatility, durability, and performance. The AeroForce side-to-side tarp system is designed for multiple trailer configurations including refuse and end dump.



REFUSE ROLL TARPS

In a matter of minutes, your trailer can be completely uncovered using the Aero side-to-side roll tarp system. Just undo the straps and smoothly crank the roll tarp across the trailer.



LID 2

The industry's strongest refuse flip tarp system is now lighter, faster and stronger than ever. The Lid 2 provides a more durable design along with an easier to maintain structure, minimizing repair costs.



Copyright © 2022 Aero Industries, Inc. Aero, the chevron, and AeroForce are registered trademarks of Aero Industries. All rights reserved.

AeroForce is covered by the following patents: US: 10023033; Canada: 2996297

INDIANAPOLIS, IN
800.535.9545

OMAHA, NE
800.535.8552

KENT, OH
888.237.2262

June 2022
aeroindustries.com