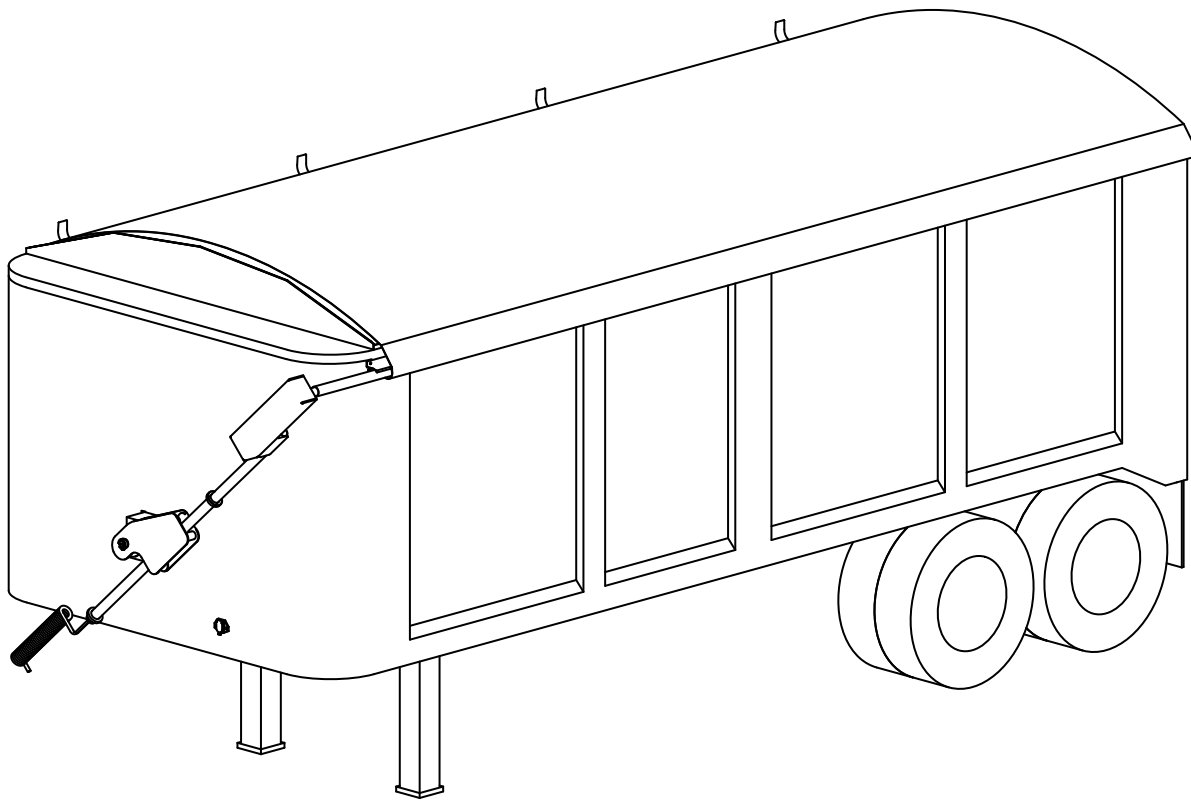




Serving the Truck & Trailer Industry  
Since 1944



**FOR END DUMPS**



# **POWERLOCK™**

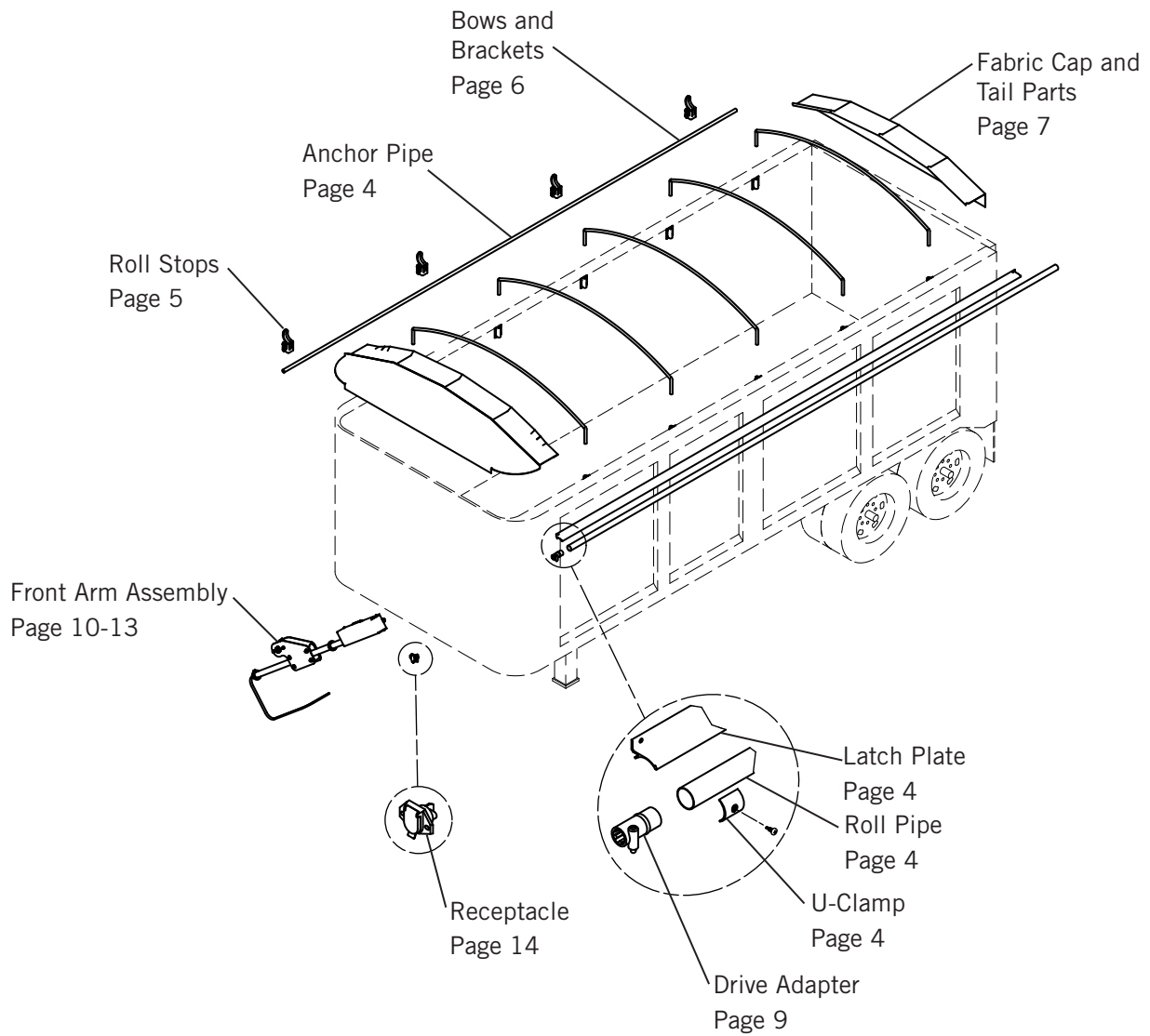
## **Parts Lists**

Call 800-535-9545 | [www.aeroindustries.com](http://www.aeroindustries.com)  
Indianapolis, IN | Kent, OH | Omaha, NE | Valley, NE

### Parts List Directory

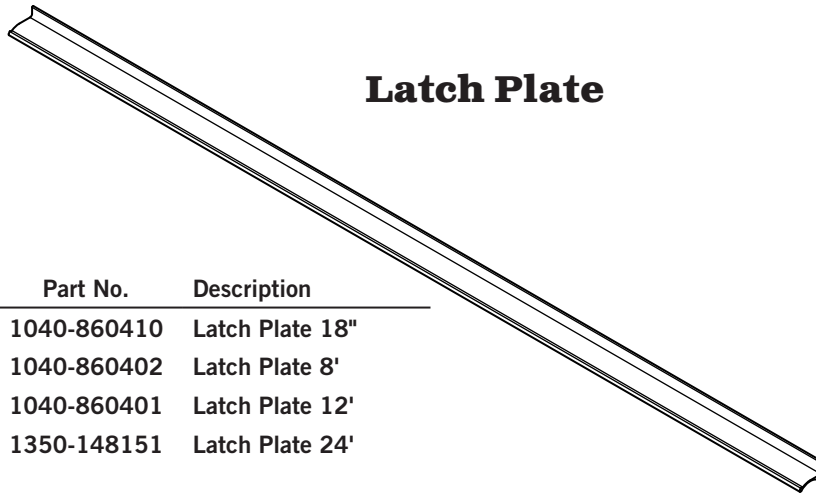
---

Item	Page
Latch Plate, Roll Pipe, and Anchor Pipe	4
Roll Stops	5
Bows and Brackets	6
Fabric Cap and Tail Parts, Trough and Bracket	7
Roll Return, Roll Pipe Deflector, and Side Board Mounting Hardware	8
Auxiliary Components (Drive Adapter, Pivot Box Mount, and Roll Pipe Extension)	9
Front Swing Arm Assembly	10
Front Swing Arm Assembly (Drive Unit)	11
Spring Assembly Power-Lock (Standard Roll)	12
Spring Assembly Power-Lock (Reverse Roll)	13
Tractor Switch Kit and Remote Kit	14
RDCC Kit 12 V 40 Amp Rocker	15

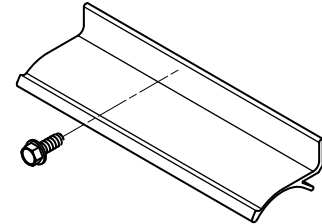


## Parts List

### Latch Plate



Part No.	Description
1040-860410	Latch Plate 18"
1040-860402	Latch Plate 8'
1040-860401	Latch Plate 12'
1350-148151	Latch Plate 24'



**0825-650621**  
**3/8 x 1 HWH Type F**

(Screws typically  
24" on )center

### Roll Pipe 2" dia W/ Swedge Galvanized Tube

Also used for Ridge Pipe



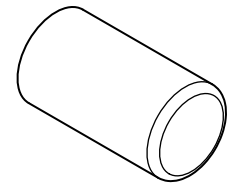
Part No.	Description
1040-860404	Roll Pipe 2" - 8'
1040-860403	Roll Pipe 2" - 12'
1040-960197	Roll Pipe 2" - 24'

### Anchor Pipe 1.125" dia W/ Swedge Galvanized Tube



Part No.	Description
1040-860406	Fixed Tarp Tube 1.125" - 8'
1040-860405	Fixed Tarp Tube 1.125" - 12'
1040-860165	Fixed Tarp Tube 1.125" - 24'

Rubber cap for pipes



**0765-617830**  
**Rubber Cup-Anchor Pipe**

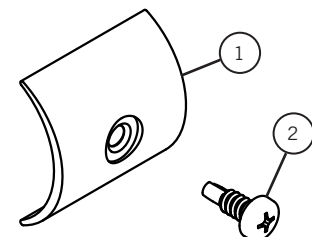
### Ridge Pipe 1.51" dia W/ Swedge Galvanized Tube



Part No.	Description
1018-860205	RIDGE-PIPE-SPLIT-12'
1018-860204	RIDGE-PIPE-SPLIT-16'
1018-860203	RIDGE-PIPE-SPLIT-20'

**0825-650540**  
14 x 1 PPH, Self Drilling

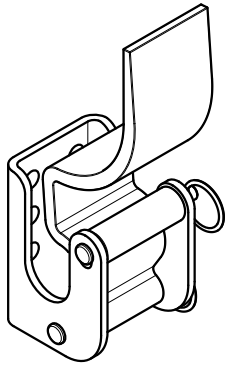
**0765-617831**  
**Rubber Cap, 2" Pipe**  
**1018-860018**  
**CAP, RIDGE POLE 1.5IDx8"**



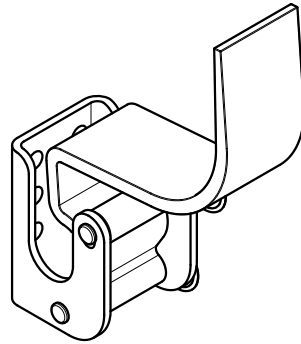
U-Clamp and Screw  
on every strap (30")

No.	Part No.	Description
1	1040-860129	U-Clamp
2	0825-650540	14 x 1 PPH, Self Drilling

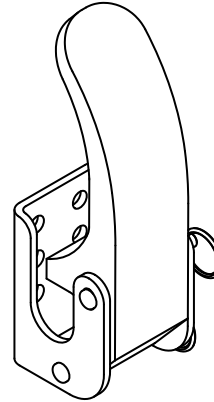
### Roll Stops



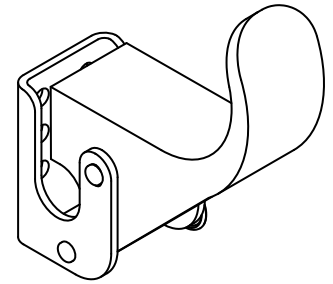
**1040-960217**  
**Easy Off 3" Roll Stop**  
**Assembly Extruded**



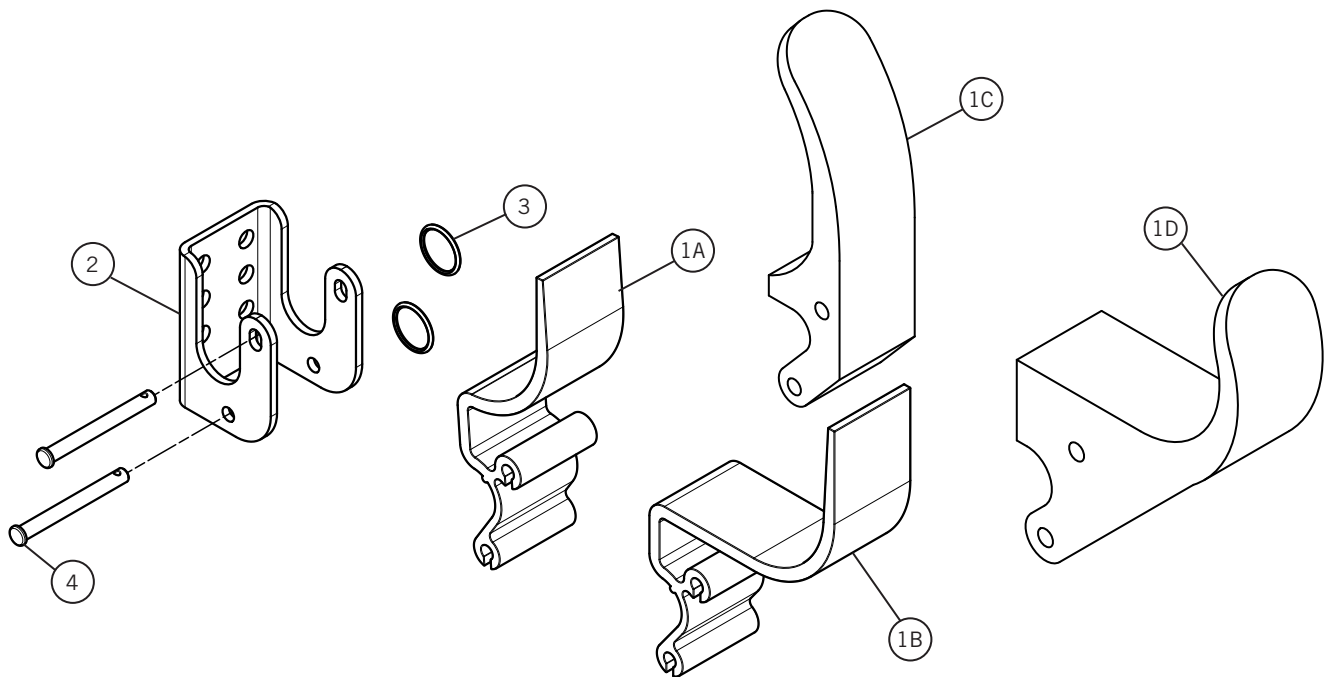
**1040-960218**  
**Easy Off 6" Roll Stop**  
**Assembly Extruded**



**1040-960219**  
**Easy Off Roll Stop 3"**  
**Assembly Urethane**



**1040-960220**  
**Easy Off Roll Stop 6"**  
**Assembly Urethane**



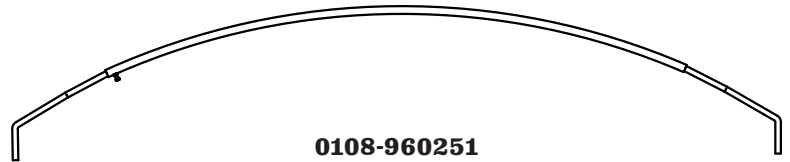
No.	Part No.	Description
1A	1040-860184	Roll Stop 3" Offset Extruded
1B	1040-860185	Roll Stop 6" Offset Extruded
1C	1040-860189	Easy Off 3" Roll Stop URE
1D	1040-860200	Easy Off 6" Roll Stop URE
2	1040-860121	Easy Off Roll Stop Body
3	0835-618500	Circle Pin .074 x 1 1/8
4	0835-619640	Clevis Pin 5/16 x 3

## Parts List

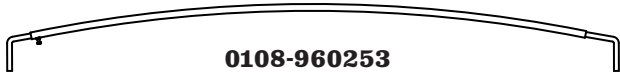
### Bows and Bracket



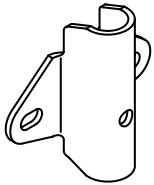
**0108-960250**  
Adjustable Bow Assembly Steel  
10"-12" Rise and 83"-93" Center To Center



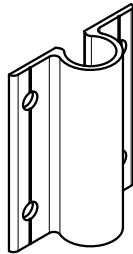
**0108-960251**  
Adjustable Bow Assembly Steel  
12"-16" Rise and 93"-103" Center To Center



**0108-960253**  
Adjustable Bow Assembly Steel  
6" Rise and 93"-99" Center To Center

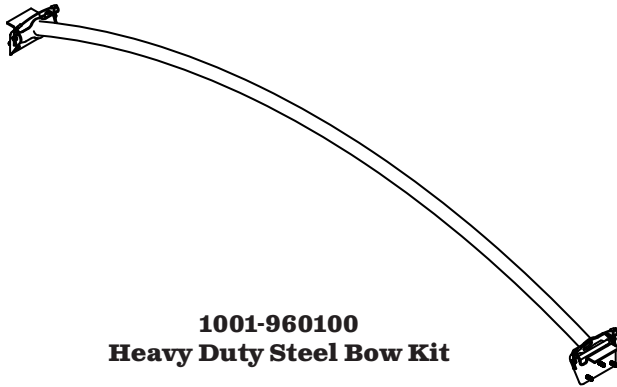


**1040-860187**  
Bow Pocket Steel



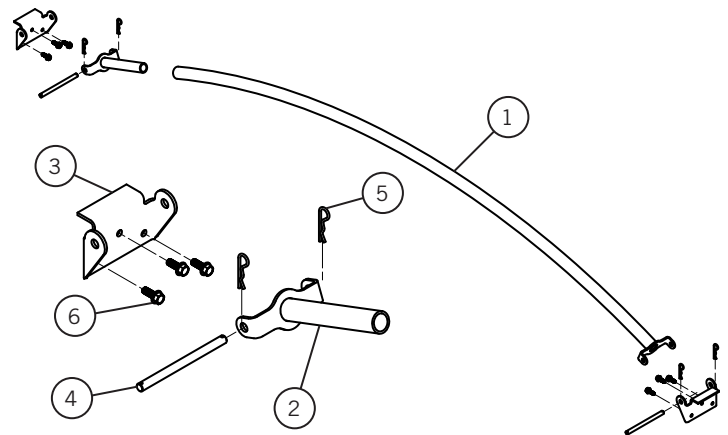
**1038-860499**  
Bow Pocket Aluminum

Bow Brackets are mounted with (4)  
0825-650621 – 3/8 x 1 Type F



**1001-960100**  
Heavy Duty Steel Bow Kit

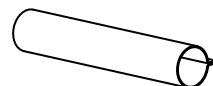
No.	Part No.	Description
1	1001-960101	Heavy Duty Steel Bow Assembly
2	1001-960102	Swivel Bracket Assembly
3	1001-860100	Swivel Bracket Base
4	1001-860103	Headless Pin
5	0835-691723	Locking Cotter Pin
6	0825-650621	3/8 x 1 HWH Type F



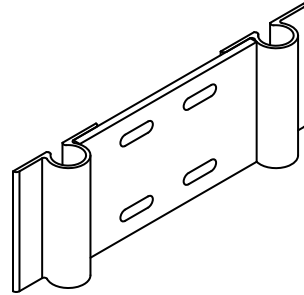
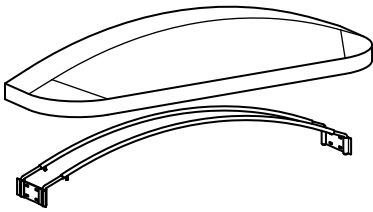
**Swing-Away Bow System**  
Call for replacement parts  
See 0930-104203

**Aluminum Bows**  
Call for replacement

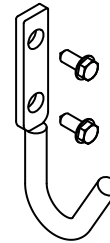
**Fabric Bow Sleeve**  
0530-863501



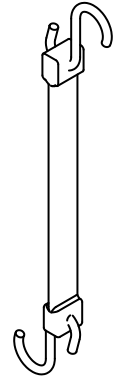
## Fabric Cap and Tail Parts



**1040-960175**  
**Bow Pocket Fabric Front**



**0730-612360**  
**Hook "J" Tarp**

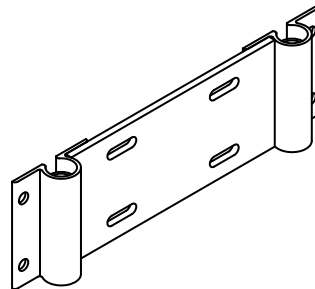


**1545-619866**  
**Strap Assembly**  
**Tarp 24"**

Bracket is mounted with (2)  
0825-670360 – 14 x 1 TEK



**0835-619111**  
**PIN HAIR 3/16x3.5"**  
For holding bow in rear  
double bow bracket



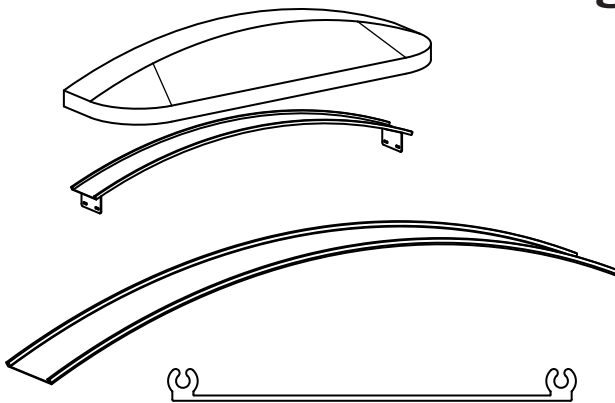
**1040-960225**  
**Bow Pocket Fabric Front**  
**W/ Insert**

Brackets is mounted with (4)  
0825-650621 – 3/8 x 1 Type F

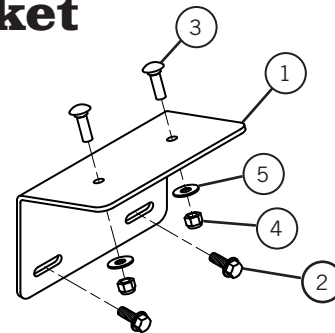


**1040-860163**  
**Bow Tie Bar**

## Trough and Bracket



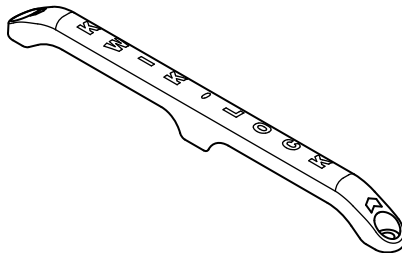
**1040-860251**  
**Trough Extrusion Rolled**  
**12" Rise**  
**102" Overall Length**



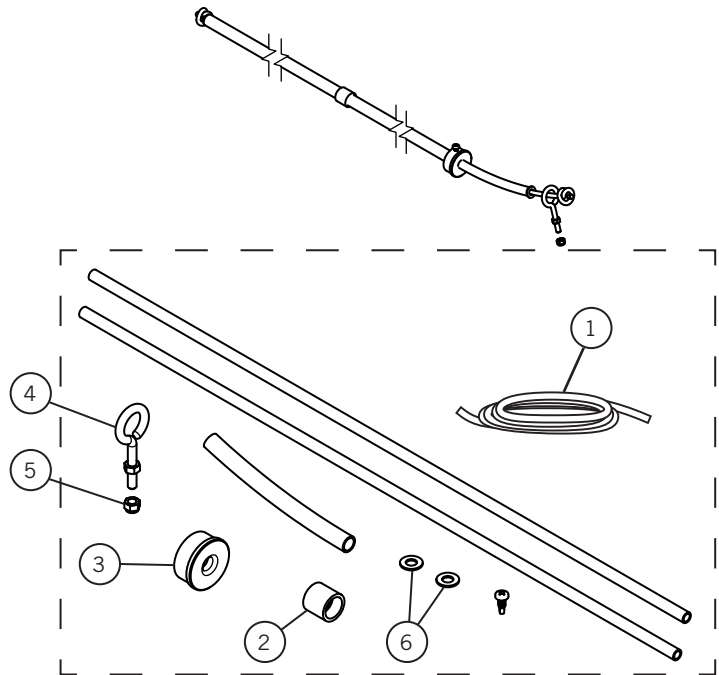
**1040-962114** **ALUMINUM TROUGH HDW**

No.	Part No.	Description	QTY
1	1040-860252	ANGLE BRACKET TROUGH	2
2	0825-650621	BOLT HWH 3/8x1 TYPE F	4
3	0810-650565	BOLT CARR 3/8-16x1-1/4	4
4	0815-660660	NUT HEX. 3/8-16	4
5	0820-680620	WASHER FLAT 3/8"	4

### Kwik-Lock Roll Return

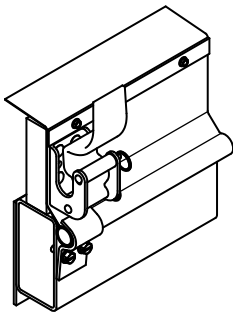


**1040-860159**  
**Roll Tube Deflector**



**1040-960109**  
**Roll Return Assembly**

No.	Part No.	Description
1	1040-860125	Roll Return Cord
2	1040-860126	Roll Return Connector
3	1040-860127	Roll Return End Plug
4	0810-650901	Eye Bolt 5/16-18 x 2
5	0815-660550	5/16-18 Nylon Hex Nut
6	0820-680620	3/8 Flat Washer



### Side Board Mounting Hardware

#### Secure Tarp to Side Board

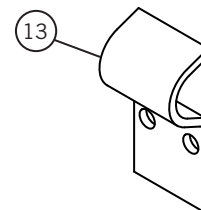
No.	Part No.	Description
7	1315-150165	1/8" x 1" x 12' FLAT ALUMINUM
8	0810-651327	BOLT HEX LAG 1/4 X 1-1/2

#### Secure Components to Side Board

No.	Part No.	Description
9	0810-650525	5/16 X 2-1/2 CARRIAGE BOLT
10	0820-680510	5/16 FLAT WASHER
11	0820-680520	5/16 LOCK WASHER
12	0815-660510	5/16 HEX NUT

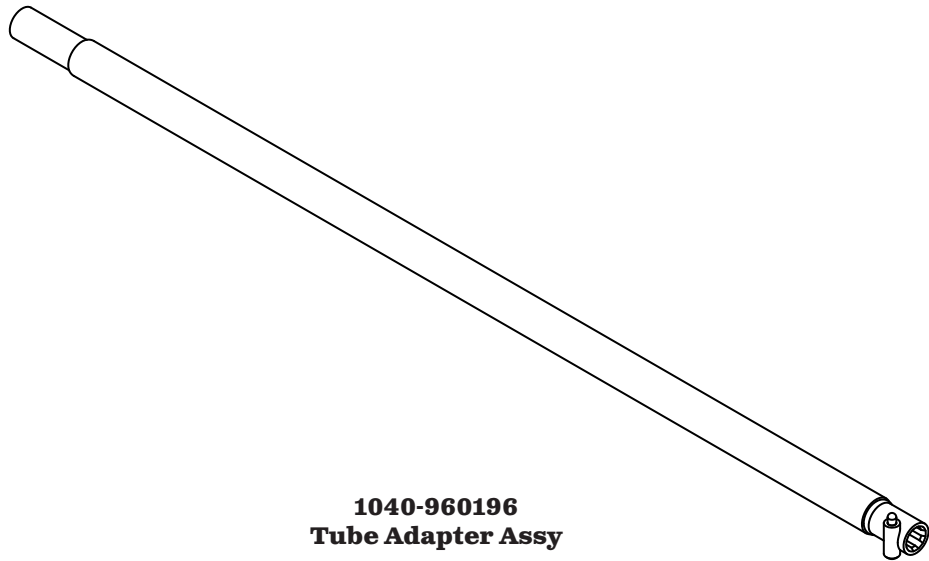
#### Secure Anchor Pipe to Top Rail

No.	Part No.	Description
13	1001-861323	CLAMP, ANCHOR PIPE
14	0825-650621	3/8 X 1 TYPE F HWH BOLT

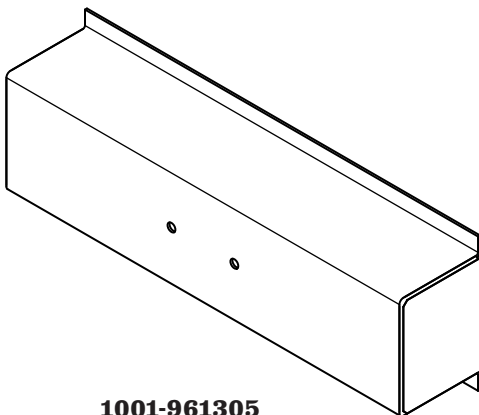




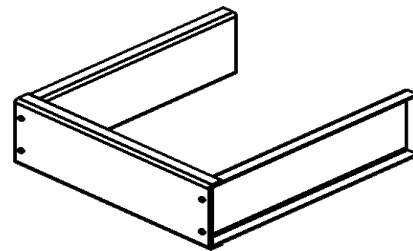
## Auxiliary Components



**1040-960196  
Tube Adapter Assy**

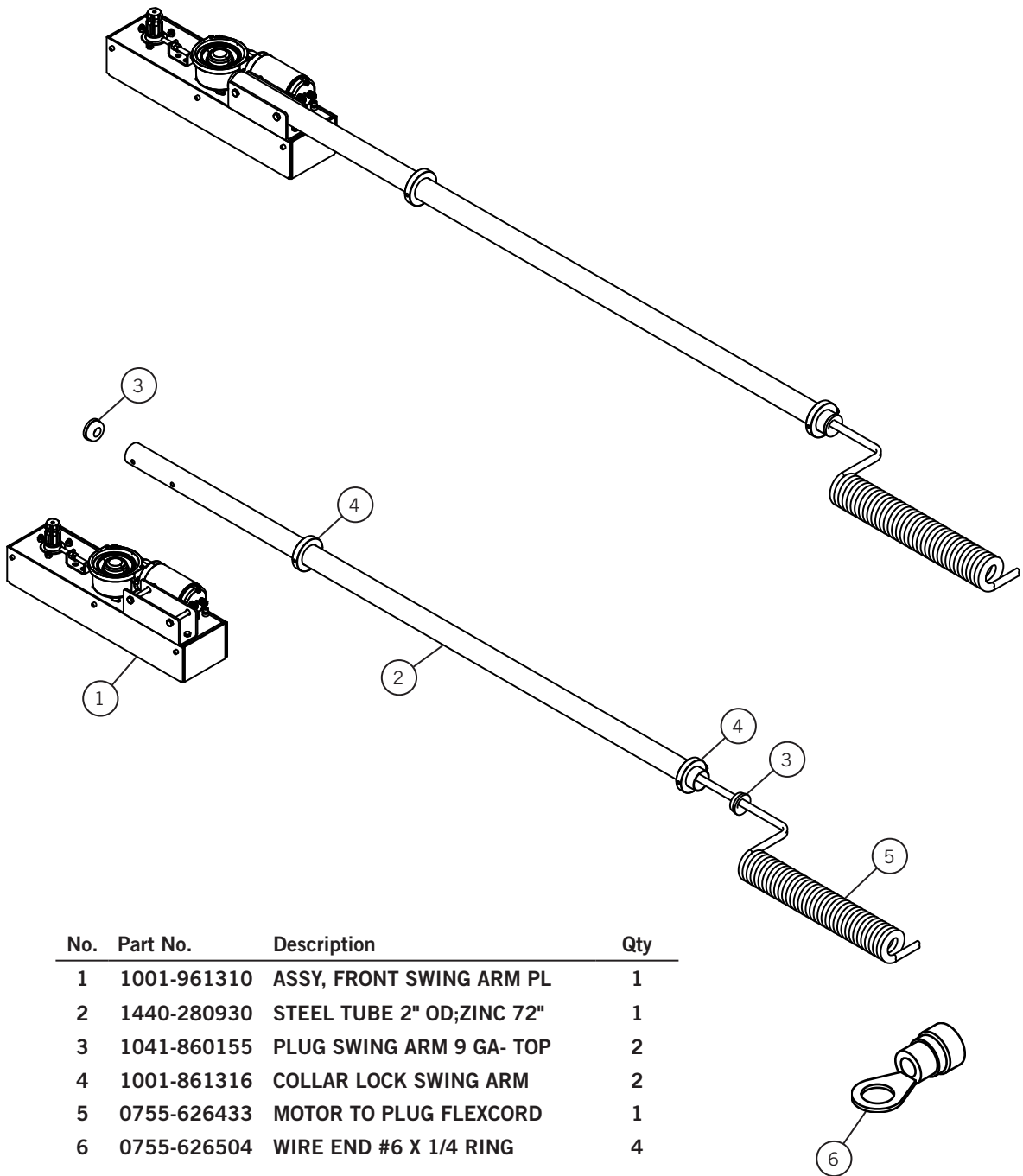


**1001-961305  
Pivot Box Mount  
Dump Style**



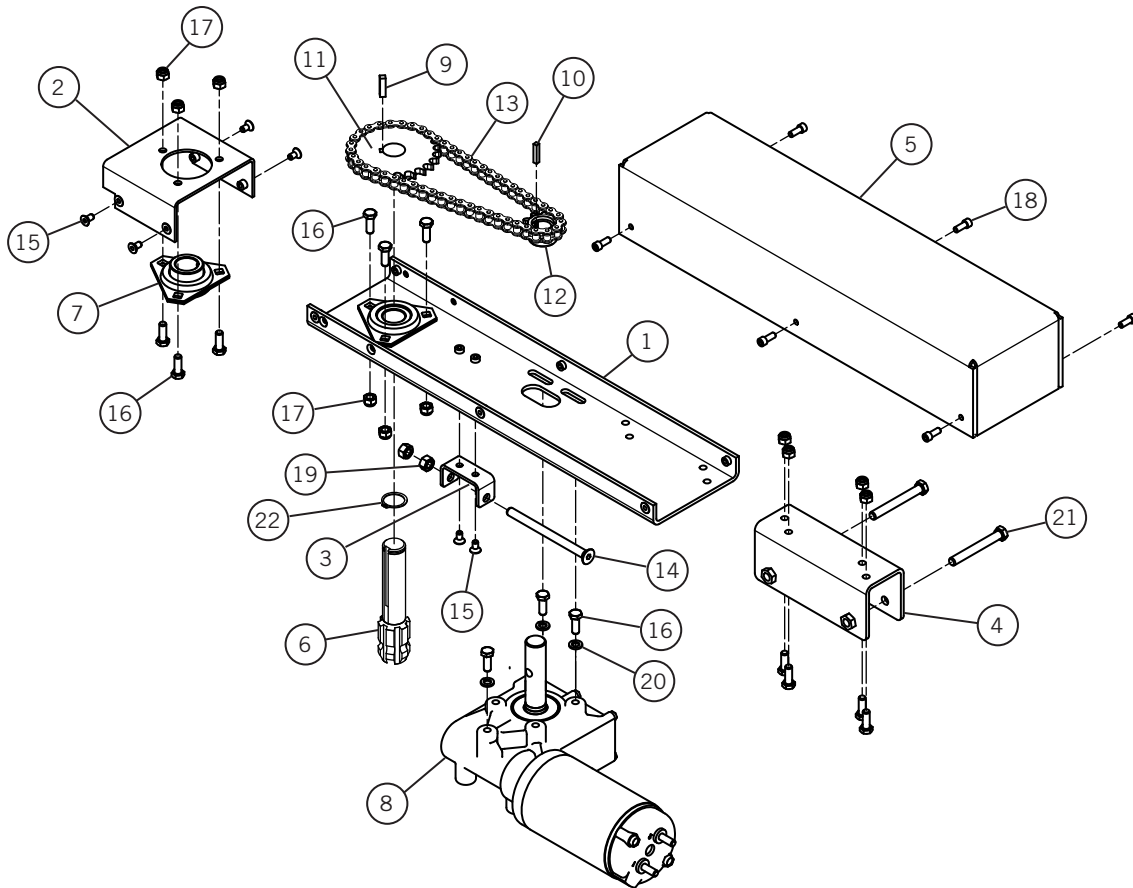
**1001-961319  
External Cylinder  
Mounting Bracket**

### Front Swing Arm Assembly 1001-961900



No.	Part No.	Description	Qty
1	1001-961310	ASSY, FRONT SWING ARM PL	1
2	1440-280930	STEEL TUBE 2" OD;ZINC 72"	1
3	1041-860155	PLUG SWING ARM 9 GA- TOP	2
4	1001-861316	COLLAR LOCK SWING ARM	2
5	0755-626433	MOTOR TO PLUG FLEXCORD	1
6	0755-626504	WIRE END #6 X 1/4 RING	4

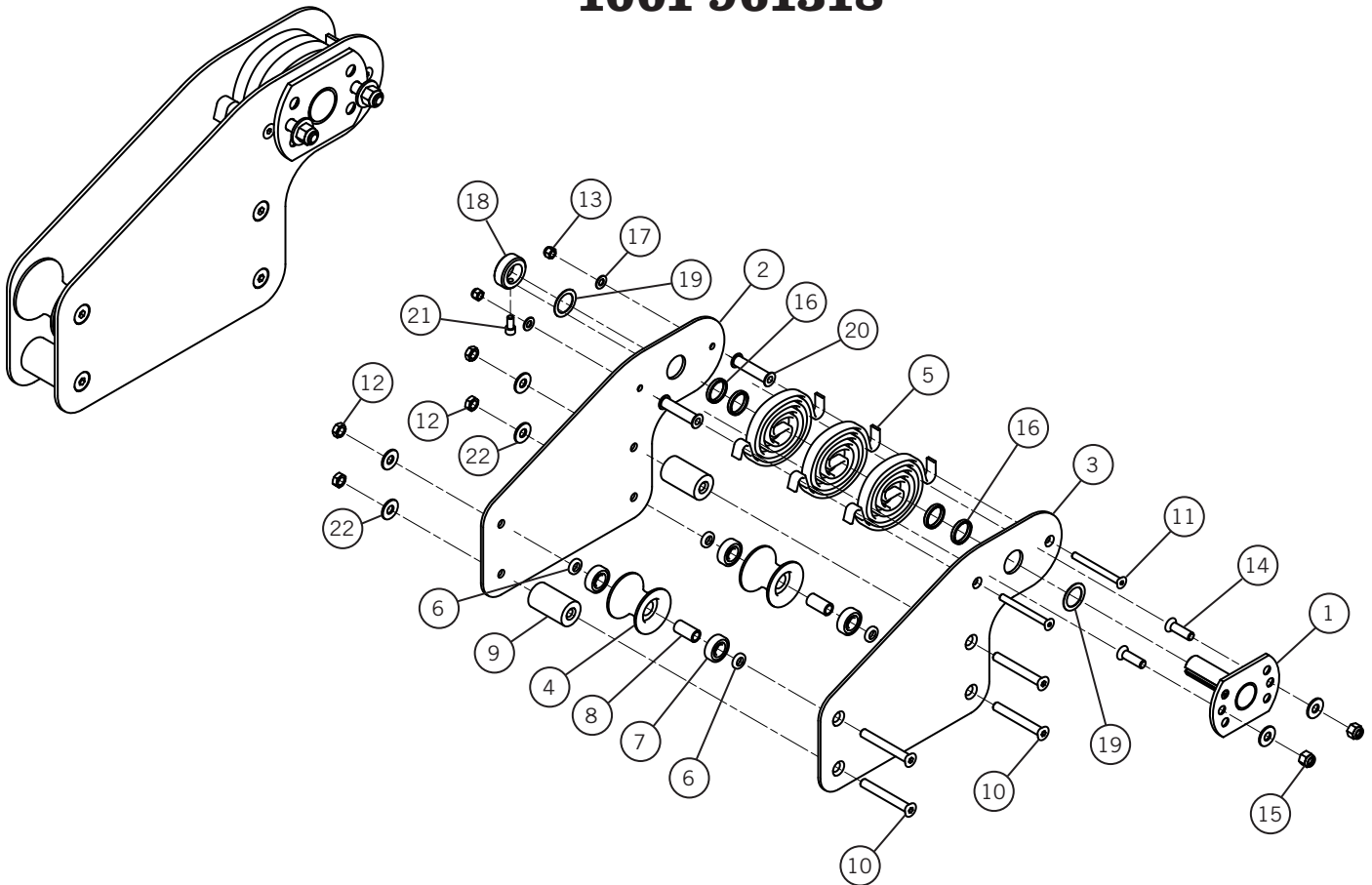
### Front Swing Arm Assembly Drive Unit 1001-961310



No.	Part No.	Description	Qty	No.	Part No.	Description	Qty
1	1001-960710	Drive Mount Channel Assy	1	13	1001-861721	CHAIN #40 ROLLER 49 PITCH	1
2	1001-960711	Bearing Mount Assy	1	14	0810-650496	3/8-16X4 CNTRSINK BOLT	1
3	1001-860774	CHAIN TENSION BRACKET SK2	1	15	0810-650497	BOLT 1/4-20 X 1/2"	6
4	1001-861729	SWING ARM MOUNT BRACKET	1	16	0810-650552	BOLT HHCS 5/16-18x7/8"	13
5	1001-861722	DRIVE UNIT COVER	1	17	0815-660550	NUT HEX. 5/16-18	10
6	1001-861902	DRIVE SHAFT SPLINED	1	18	0825-617251	SCREW 1/4-20-5/8 SHCS ZP	6
7	1001-861714	BEARING SET 1" BORE	2	19	0815-660640	NUT HEX. 3/8-16	2
8	0755-623407	MOTOR RA/SWB WITH COVER	1	20	0820-680520	WASHER SLCK 5/16"	3
9	1001-861723	KEY 1/4" X 1"	1	21	0810-670657	BOLT HHCS 3/8-16x3"	2
10	1001-861736	KEY 3/16 X 3/16 X 1.625	1	22	0840-618505	SNAP RING 1" SHAFT	1
11	1001-861719	SPROCKET 40B24 1" BORE	1	23	0825-670709	SET SCREW 1/4 X 20 X 1/4	2
12	1001-861903	SPROCKET 40B14 3/4 BORE	1	24	0825-670710	SET SCREW 1/4" X 28 X 1/4	1

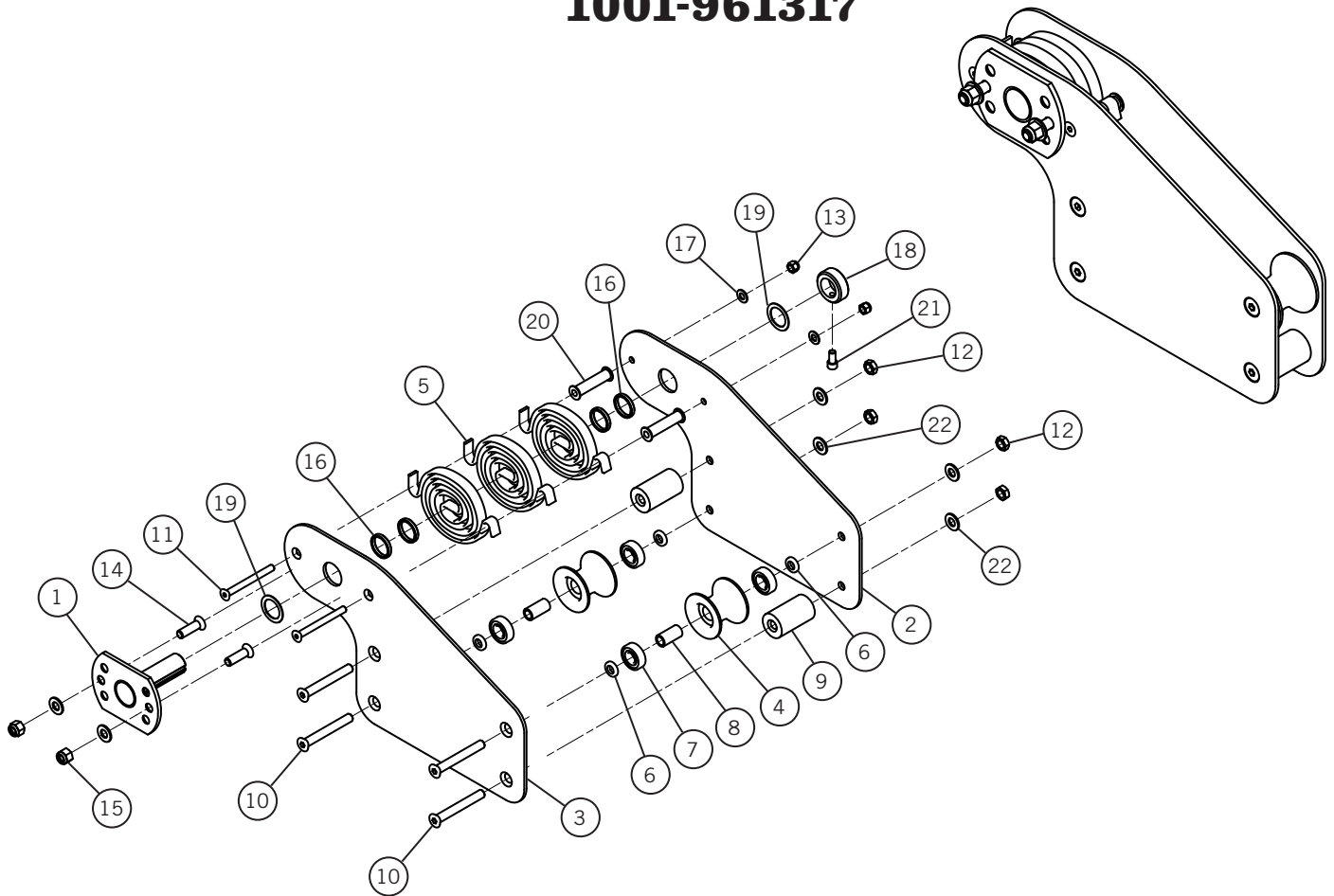
Items 23 & 24 are not shown.

### Spring Assembly PowerLock™ (Standard Roll) 1001-961318



No.	Part No.	Description	Qty	No.	Part No.	Description	Qty
1	1001-961301	Mounting Plate Assembly	1	12	0815-660127	1/2-13 NTE Jam Nylock Nut	4
2	1001-861330	Power Lock Plate Base	1	13	0815-660660	3/8-16 Nylock Hex Nut	2
3	1001-861337	Power Lock Plate Front	1	14	0825-660852	1/2-13 x 1.75 FHCS	2
4	1001-861325	Radius Roller	2	15	0815-660855	1/2-13 Nylock Hex Nut	2
5	0715-619550	Spring PowerPack Spiral	3	16	0311-860231	Bushing 1.26 ID x 1.5 OD	4
6	1001-861307	Steel Washer	6	17	0820-680620	3/8 Flat Washer	2
7	0710-602144	Bearing .5 ID x 1.575 OD	4	18	0785-690335	Collar Shaft 1-1/4"	1
8	1001-861304	Spacer Roller	2	19	0820-680411	Washer Flat 1-1/4 x 1-7/8	2
9	1001-861412	Roller Block Delrin	2	20	1001-861306	Steel Spacer	2
10	0825-660855	1/2-13 x 4 FHCS	4	21	0825-617250	3/8-16 x 3/4 SHCS	1
11	0825-670507	3/8-16 x 4 FHCS	2	22	0820-680810	Washer Flat 1/2"	4

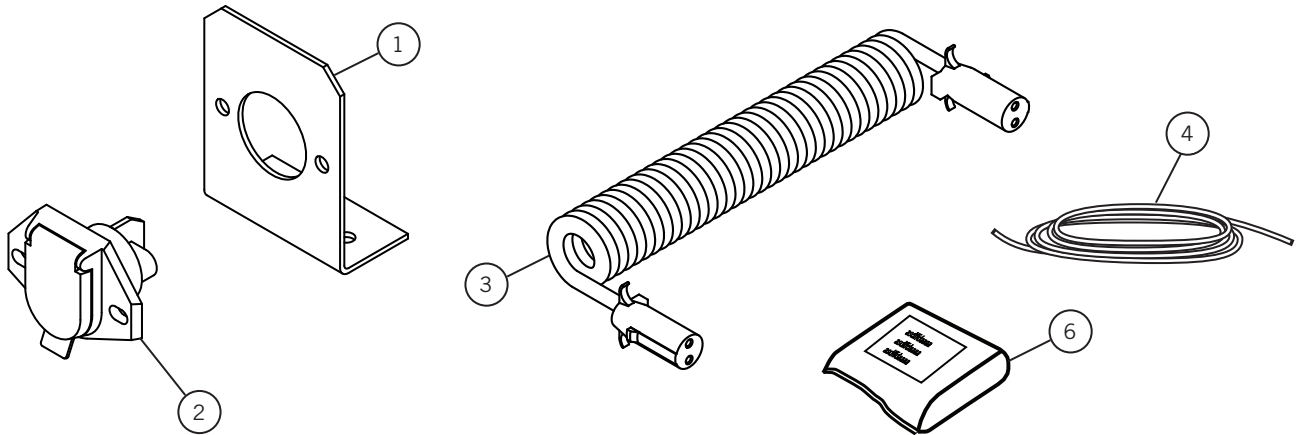
### Spring Assembly PowerLock™ (Reverse Roll) Optional 1001-961317



No.	Part No.	Description	Qty	No.	Part No.	Description	Qty
1	1001-961301	Mounting Plate Assembly	1	12	0815-660127	1/2-13 NTE Jam Nylock Nut	4
2	1001-861330	Power Lock Plate Base	1	13	0815-660660	3/8-16 Nylock Hex Nut	2
3	1001-861338	Power Lock Plate Rear	1	14	0825-660852	1/2-13 x 1.75 FHCS	2
4	1001-861325	Radius Roller	2	15	0815-660855	1/2-13 Nylock Hex Nut	2
5	0715-619550	Spring PowerPack Spiral	3	16	0311-860231	Bushing 1.26 ID x 1.5 OD	4
6	1001-861307	Steel Washer	6	17	0820-680620	3/8 Flat Washer	2
7	0710-602144	Bearing .5 ID x 1.575 OD	4	18	0785-690335	Collar Shaft 1-1/4"	1
8	1001-861304	Spacer Roller	2	19	0820-680411	Washer Flat 1-1/4 x 1-7/8	2
9	1001-861412	Roller Block Delrin	2	20	1001-861306	Steel Spacer	2
10	0825-660855	1/2-13 x 4 FHCS	4	21	0825-617250	3/8-16 x 3/4 SHCS	1
11	0825-670507	3/8-16 x 4 FHCS	2	22	0820-680810	Washer Flat 1/2"	4

### Tractor Switch Kit

1001-961306 Tractor Switch Kit

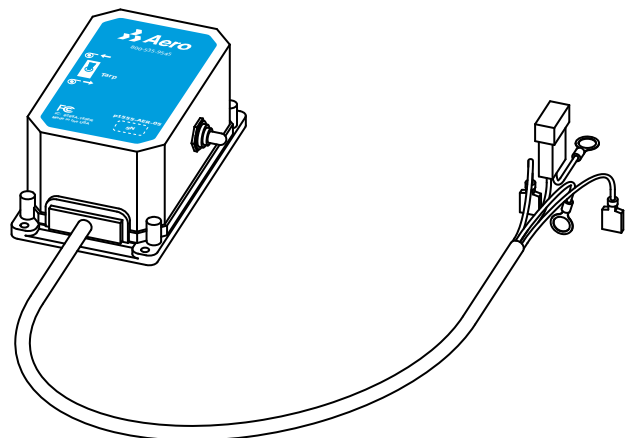
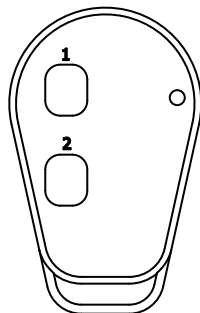


No.	Part No.	Description	Qty
1	1001-862126	Recepticle Bracket Alum	1
2	1041-860143	Socket Electric Sidewinder	2
3	0755-626434	Flex Cord 13' 6 GA.	1
4	0755-626588	Wire #14 Gray	20 FT
5	0755-623475	Rubber Boot Wire (not shown)	1
6	0755-962108	RDCC Kit 40 Amp W/Rocker	1

**0755-960900**  
**REMOTE KIT 2 BTN; TOGGLE**

**0755-860700**  
**REMOTE FOB; 2 BUTTON**

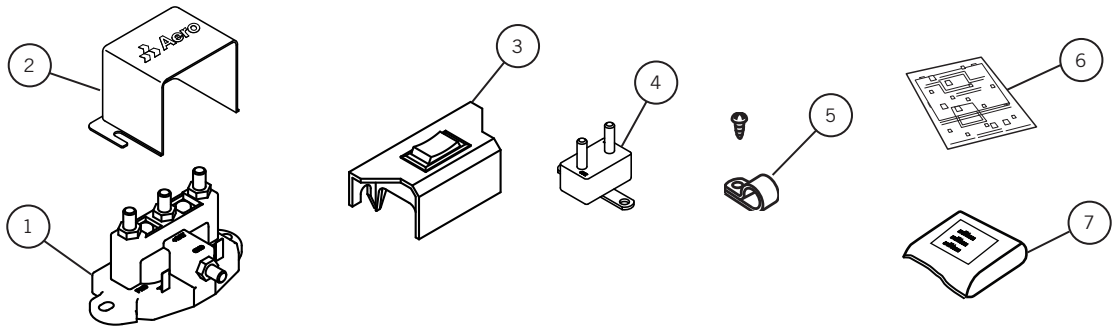
**0755-860800**  
**REMOTE RECEIVER; W/TOGGLE**



### RDCC Kit 12 V 40 Amp Rocker

0755-962108 RDCC Kit 12 V 40 Amp Rocker

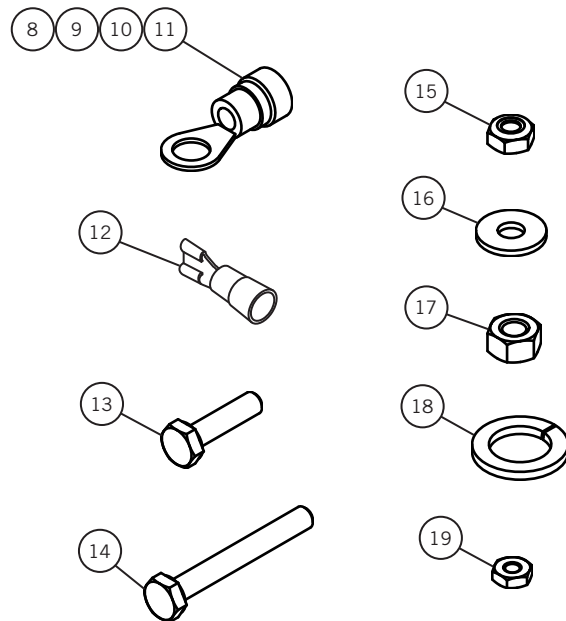
Wire NOT included in Kits



No.	Part No.	Description	Qty
1	0755-623560	Reversing DC Contactor	1
2	0755-623559	DC Contactor Cover	1
3	0755-962102	Switch Rocker for DC Contactor	1
4	0755-623501	Circuit Breaker 40 Amp	1
5	0850-603757	Clamp Metal Loom Plastic	12
6	0930-861632	Wiring diagram RDCC	1
7	0755-962111	RDCC Elec Hwd Kit-Rocker	1

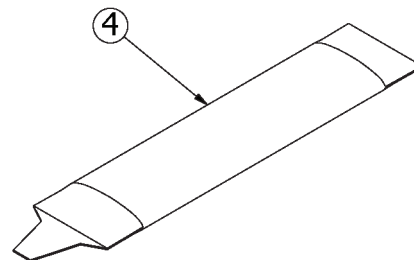
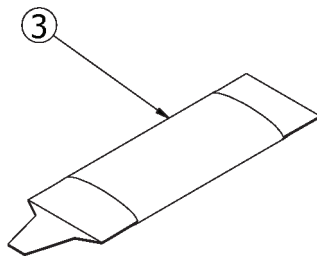
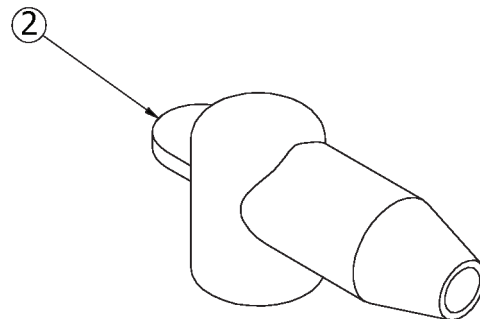
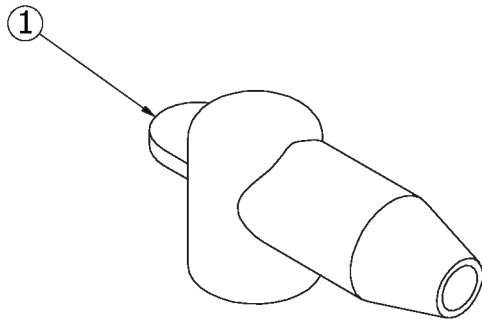
#### 0755-962111 Hardware Kit

No.	Description	Qty
8	Wire End #6 x 3/8 Ring	6
9	Wire End #6 x #10 Ring	4
10	Wire End #6 x 1/4 Ring	2
11	Wire End #14 x 3/8 Ring	1
12	Wire End #14 x 1/4 Push On	6
13	1/4-20 x 1 Hex Bolt	2
14	1/4-20 x 2 Hex Bolt	2
15	1/4-20 Nylon Hex Jam Nut	4
16	1/4 Flat Washer	8
17	5/16-24 Hex Nut	4
18	5/16 Lock Washer	4
19	#10-32 Nylon Hex Nut	4



### Connector Boot/Grease Kit

0755-960400 Kit, E/C Connector Boot/Grease Kit



No.	Part No.	Description	Qty
1	0755-860170	Red Boot Cap	8
2	0755-860171	Black Boot Cap	6
3	0755-626202	Dielectric Grease	8
4	0755-626201	Conductive Grease	1





Call 1-800-535-9545  
[www.aeroindustries.com](http://www.aeroindustries.com)

**INDIANAPOLIS, IN**

Indianapolis, IN 46241  
800-535-9545  
FAX: 317-244-1311

**OMAHA, NE**

Omaha, NE 68137  
800-535-8552  
FAX: 402-895-6129

**KENT, OH**

Kent, OH 44240  
888-237-2262  
FAX: 330-677-3265

**VALLEY, NE**

Valley, NE 68064  
800-535-8552  
FAX: 402-895-6129

© 2023 Aero Industries, Inc.

Covered by one or more of the following patents in the US: 3384413, 3785694, 4657062, 6715817, 6886879, 9812923

Canada: 2466454, 2607746, 2775212

UK: 2413119