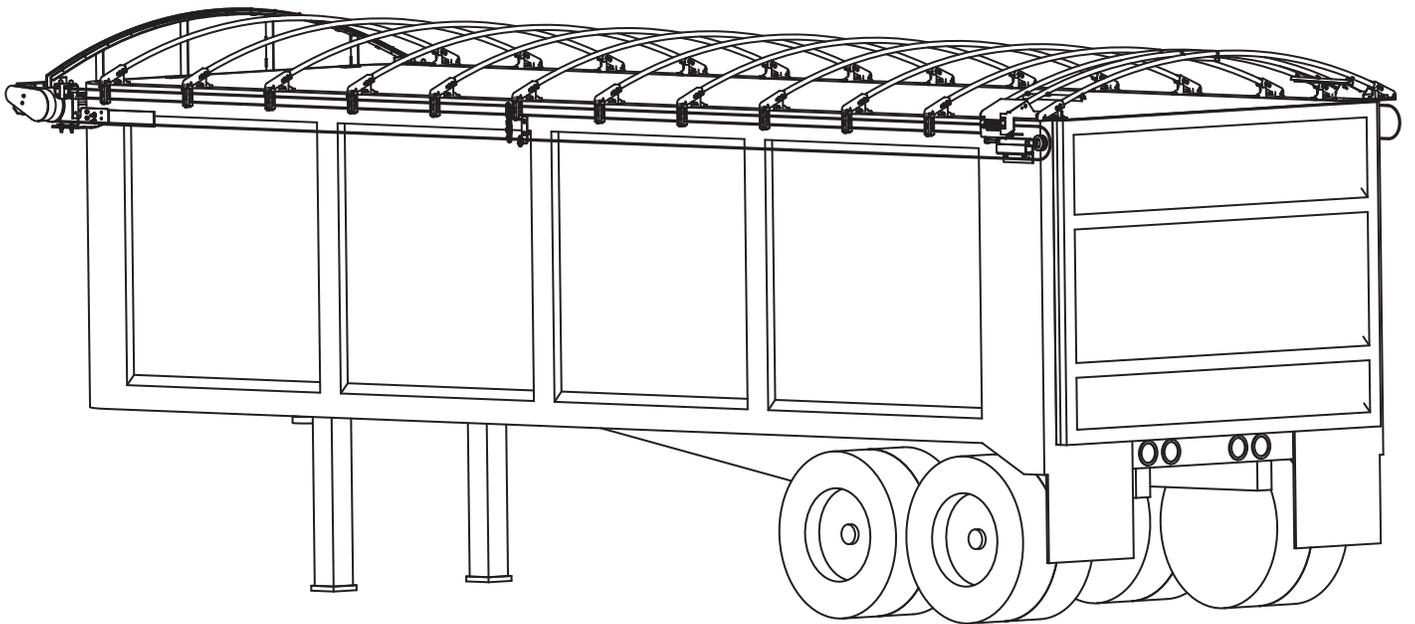




Serving the Truck & Trailer Industry
Since 1944



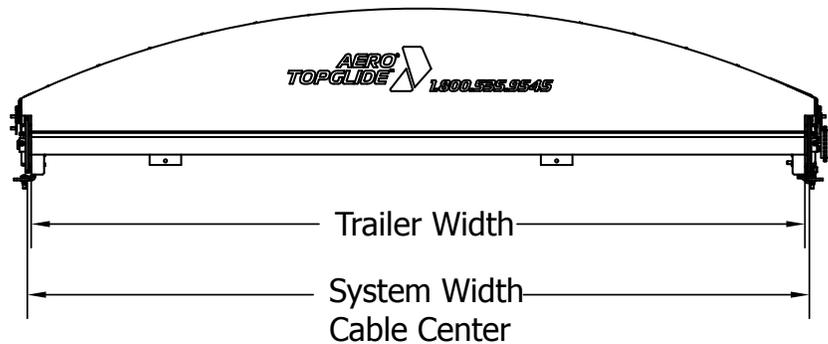
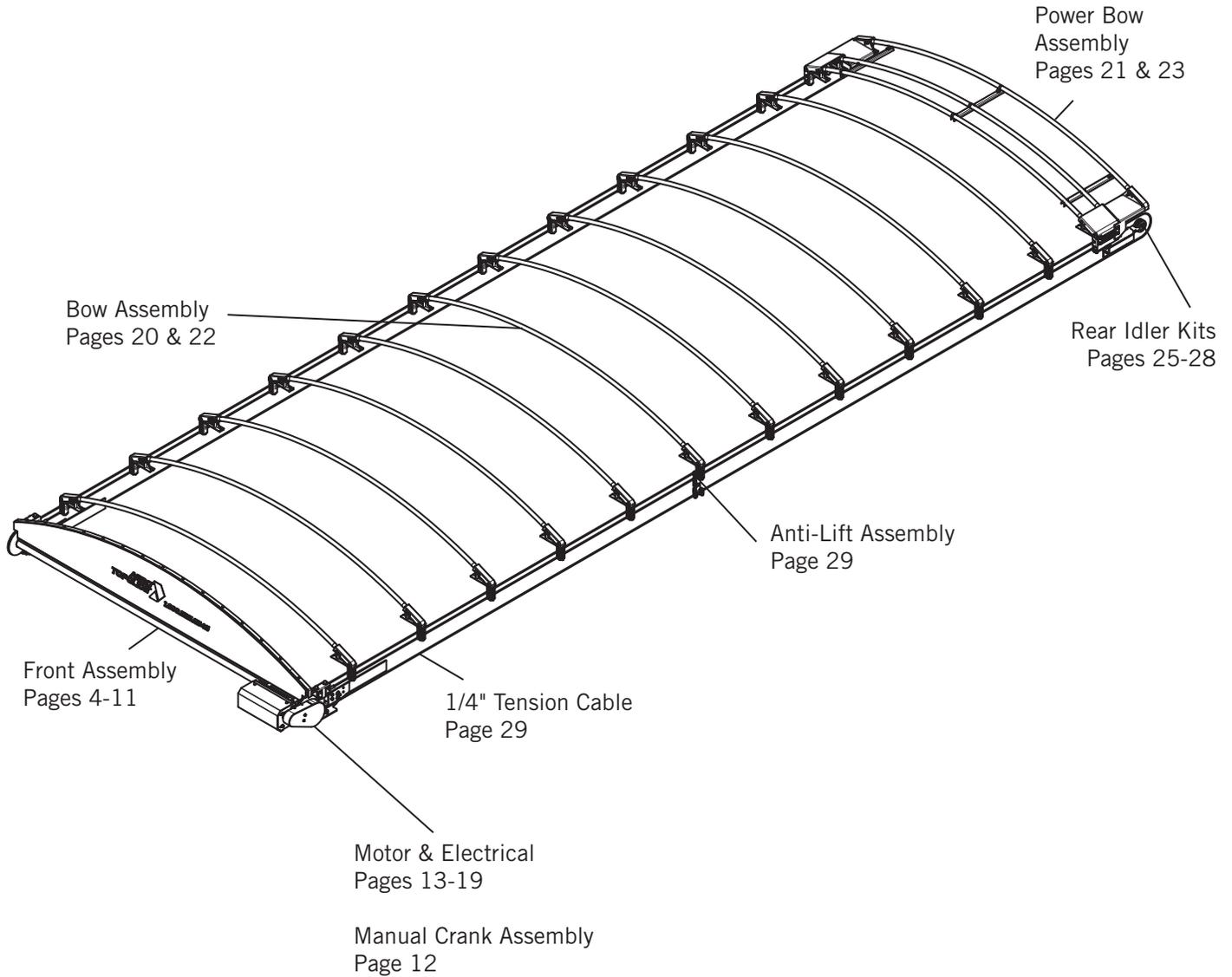
Parts Lists

Call 800-535-9545 | www.aeroindustries.com

Indianapolis, IN | Omaha, NE | Kent, OH | Valley, NE

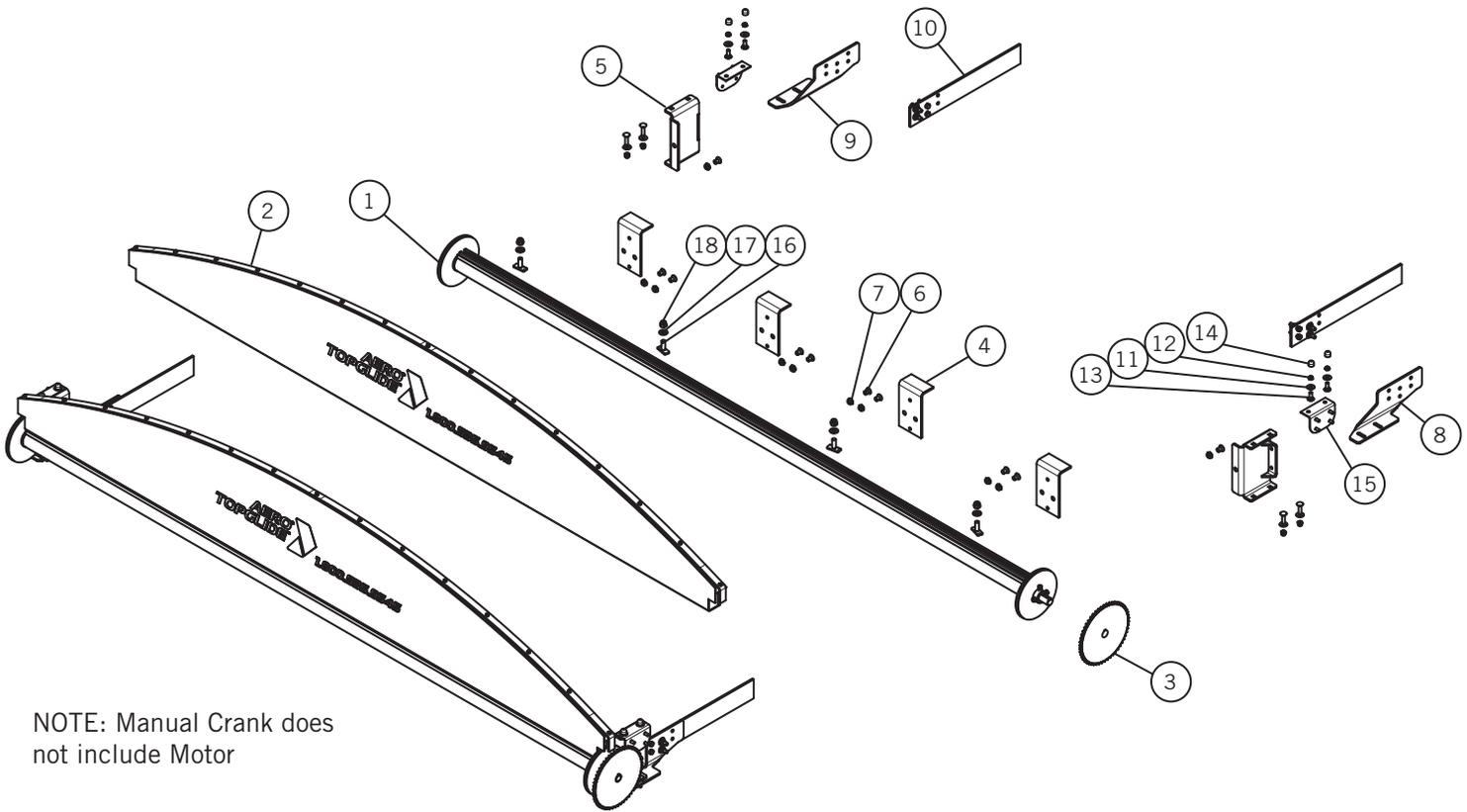
Parts List Directory

Item	Page
Front Assembly	4-9
Front Tube Assembly	10
Wind Deflector Assembly	11
Crank Assembly	12
Motor Kit	13-14
Motor Housing Assembly	15
Standard Electrical Controls with Rocker Switch	16
Connector Boot/Grease Kit	17
Wireless Connection Kit	18
Smart Electrical Controls with Rocker Switch	19
Bow and Power Bow Assemblies	20-21
Bow and Power Bow Assemblies for 6" Drop	22-23
Power Bow Extender Assembly	24
Rear Idler Assemblies	25-27
Extended Rear Idler Assemblies	28
Anti-Lift Assembly and Cables	29
Plastic Glide Strip	30
LEGACY Front Assembly	31
LEGACY Wind Deflector Assembly	32



Front Assembly Manual

System Width	Rise	A. Front Assembly	1. Front Assembly	2. Wind Deflector
93"	6"	1111-963451	1111-960430	1111-962269
99"	6"	1111-963452	1111-960569	1111-962237
105"	6"	1111-963453	1111-960582	1111-962239
93"	12"	1111-963454	1111-960430	1111-962268
99"	12"	1111-963432	1111-960569	1111-962227
105"	12"	1111-963433	1111-960582	1111-962228
93"	16"	1111-963450	1111-960430	1111-962260
99"	16"	1111-963449	1111-960569	1111-962261
105"	16"	1111-963448	1111-960582	1111-962263



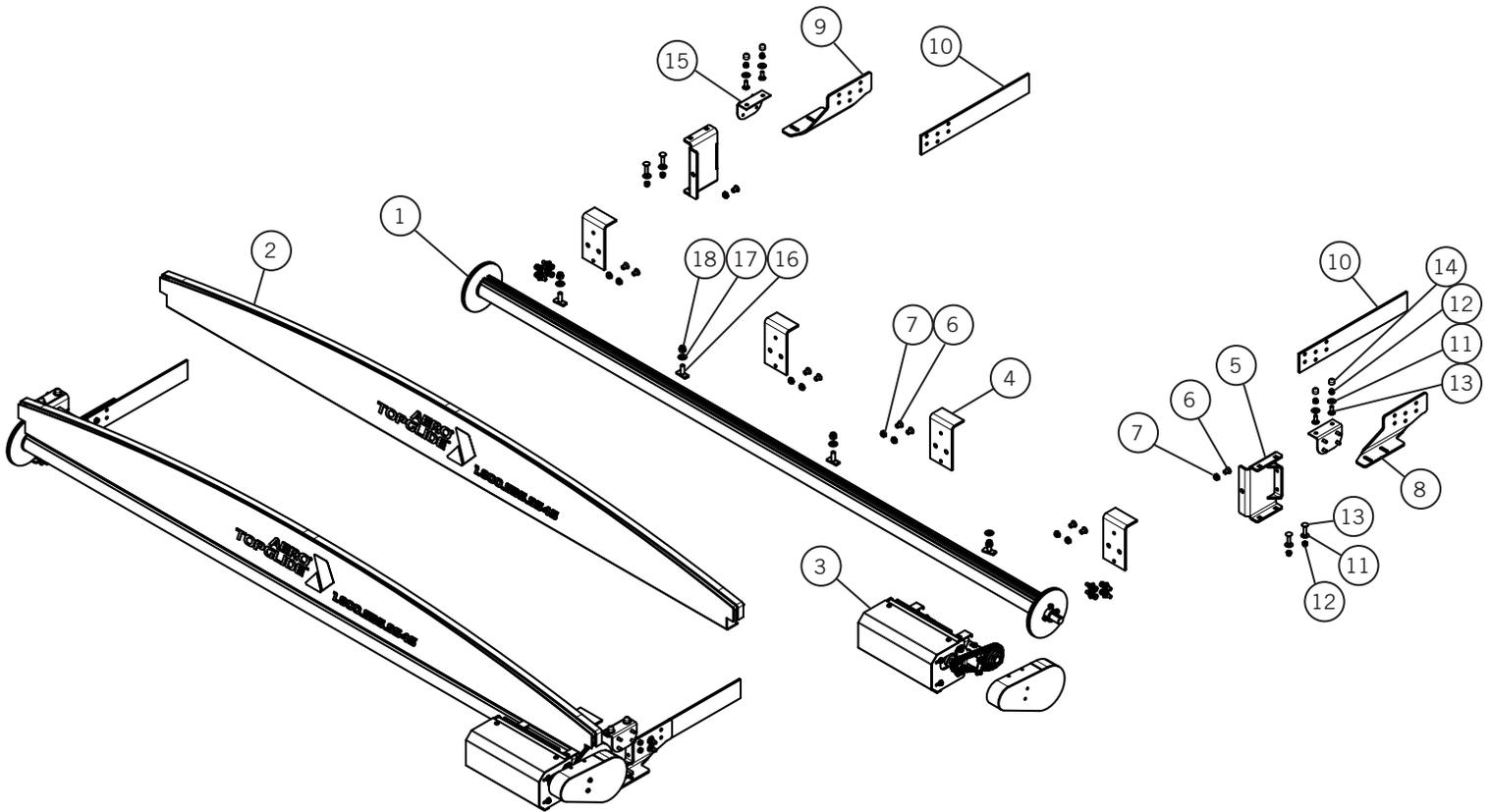
NOTE: Manual Crank does not include Motor

No.	Part No.	Description	Qty.	No.	Part No.	Description	Qty.
1	See Table	Front Assembly	1	12	0815-660660	3/8-16 Nylon Lock Nut	8
2	See Table	Wind Deflector	1	13	0810-650643	3/8-16 x 1.5 - Carriage Bolt	8
3	0750-618591	Sprocket 40B54 1" Bore 2SS	1	14	0765-600016	PLASTIC CUP .56"ID x .60"	4
4	1111-861435	Hanger Front Assembly	4	15	1111-961851	TARP CLAMP BASE W/STUDS	2
5	1111-961423	Tension Cable Bracket	2	16	0810-650813	BOLT HHCS 1/2-13 x 1-3/4	4
6	0825-650624	1/2-13 x 3/4 Flat Head Bolt	10	17	0820-680810	WASHER FLAT 1/2"	4
7	0815-660531	1/2-13 Thin Nylon Lock Nut	10	18	0815-660855	1/2-13 Nylon Lock Nut	4
8	1111-861433	Bracket, Mounting A	1	MOUNTING HARDWARE NOT SHOWN			
9	1111-861434	Bracket, Mounting B	1				
10	1111-861445	Extension, Front Bracket	2	1111-960497	HRDWR PACK CNG3 FRNT ASSY		
11	0820-680620	3/8 Flat Washer	8	Part No.	Description	Qty.	

0810-650729	BOLT TAP. 3/8-16 x 7	16
0815-660660	NUT HEX. 3/8-16	16
0820-680620	WASHER FLAT 3/8"	32
0825-650620	BOLT HWH 3/8 x 1-1/2 TYPE F	8
0810-650542	BOLT HHCS 3/8-16 x 1-1/4"	8

Front Assembly Electric

System Width	Rise	A. Front Assembly	1. Front Assembly	2. Wind Deflector
93"	6"	1111-963455	1111-960430	1111-962269
99"	6"	1111-963456	1111-960569	1111-962237
105"	6"	1111-963457	1111-960582	1111-962239
93"	12"	1111-963458	1111-960430	1111-962268
99"	12"	1111-963430	1111-960569	1111-962227
105"	12"	1111-963431	1111-960582	1111-962228
93"	16"	1111-963530	1111-960430	1111-962260
99"	16"	1111-963531	1111-960569	1111-962261
105"	16"	1111-963532	1111-960582	1111-962263

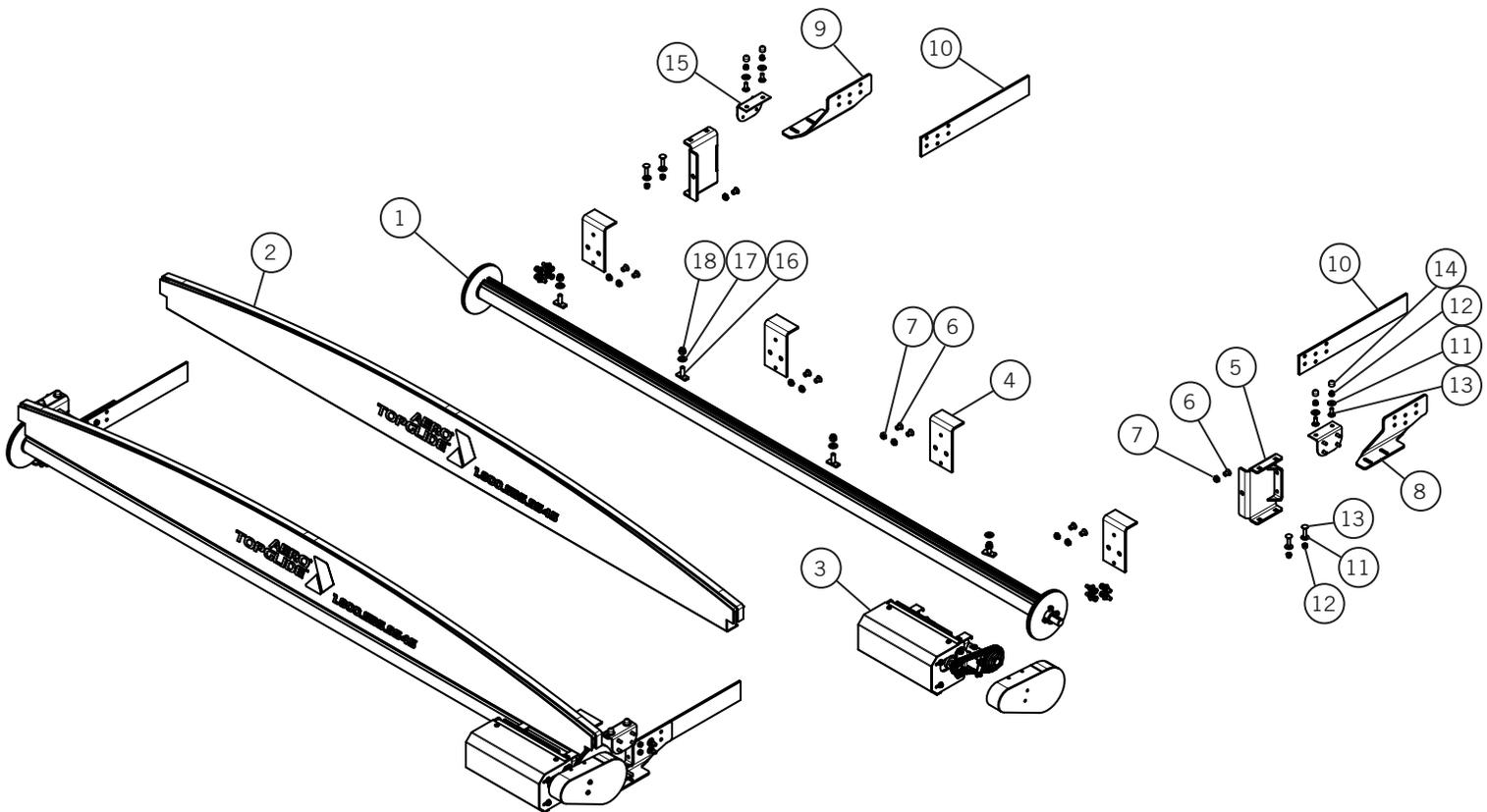


No.	Part No.	Description	Qty.	No.	Part No.	Description	Qty.
1	See Table	Front Assembly	1	12	0815-660660	3/8-16 Nylon Lock Nut	8
2	See Table	Wind Deflector	1	13	0810-650643	3/8-16 x 1.5 - Carriage Bolt	8
3	0750-618591	Sprocket 40B54 1" Bore 2SS	1	14	0765-600016	PLASTIC CUP .56"ID x .60"	4
4	1111-861435	Hanger Front Assembly	4	15	1111-961851	TARP CLAMP BASE W/STUDS	2
5	1111-961423	Tension Cable Bracket	2	16	0810-650813	BOLT HHCS 1/2-13 x 1-3/4	4
6	0825-650624	1/2-13 x 3/4 Flat Head Bolt	10	17	0820-680810	WASHER FLAT 1/2"	4
7	0815-660531	1/2-13 Thin Nylon Lock Nut	10	18	0815-660855	1/2-13 Nylon Lock Nut	4
8	1111-861433	Bracket, Mounting A	1	MOUNTING HARDWARE			
9	1111-861434	Bracket, Mounting B	1	NOT SHOWN			
10	1111-861445	Extension, Front Bracket	2	1111-960497	HRDWR PACK CNG3 FRNT ASSY		
11	0820-680620	3/8 Flat Washer	8	Part No.	Description		Qty.

0810-650729	BOLT TAP. 3/8-16 x 7	16
0815-660660	NUT HEX. 3/8-16	16
0820-680620	WASHER FLAT 3/8"	32
0825-650620	BOLT HWH 3/8 x 1-1/2 TYPE F	8
0810-650542	BOLT HHCS 3/8-16 x 1-1/4"	8

Front Assembly Smart Electronics

System Width	Rise	A. Front Assembly	1. Front Assembly	2. Wind Deflector
93"	6"	1111-963459	1111-960430	1111-962269
99"	6"	1111-963460	1111-960569	1111-962237
105"	6"	1111-963461	1111-960582	1111-962239
93"	12"	1111-963462	1111-960430	1111-962268
99"	12"	1111-963436	1111-960569	1111-962227
105"	12"	1111-963437	1111-960582	1111-962228
93"	16"	1111-963447	1111-960430	1111-962260
99"	16"	1111-963446	1111-960569	1111-962261
105"	16"	1111-963445	1111-960582	1111-962263

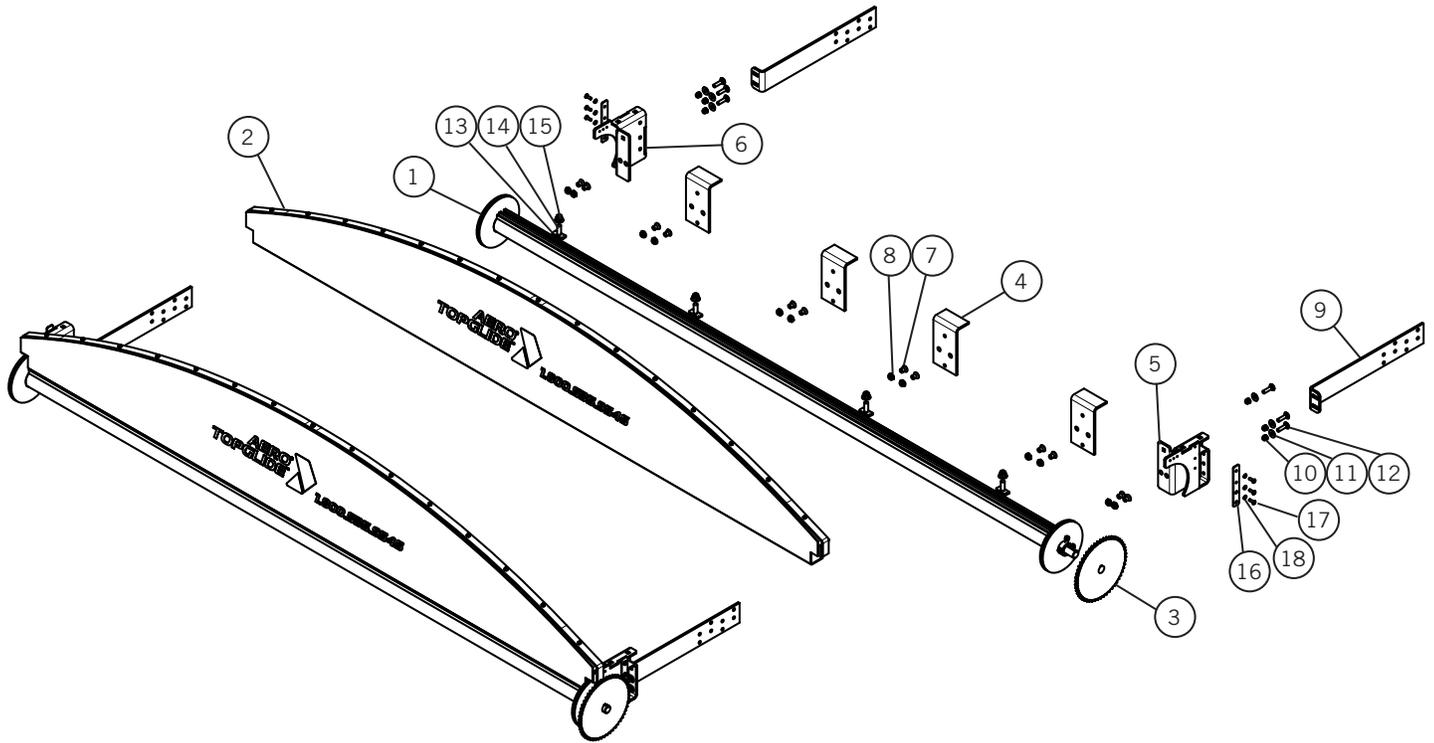


No.	Part No.	Description	Qty.	No.	Part No.	Description	Qty.
1	See Table	Front Assembly	1	12	0815-660660	3/8-16 Nylon Lock Nut	8
2	See Table	Wind Deflector	1	13	0810-650643	3/8-16 x 1.5 - Carriage Bolt	8
3	0750-618591	Sprocket 40B54 1" Bore 2SS	1	14	0765-600016	PLASTIC CUP .56"ID x .60"	4
4	1111-861435	Hanger Front Assembly	4	15	1111-961851	TARP CLAMP BASE W/STUDS	2
5	1111-961423	Tension Cable Bracket	2	16	0810-650813	BOLT HHCS 1/2-13 x 1-3/4	4
6	0825-650624	1/2-13 x 3/4 Flat Head Bolt	10	17	0820-680810	WASHER FLAT 1/2"	4
7	0815-660531	1/2-13 Thin Nylon Lock Nut	10	18	0815-660855	1/2-13 Nylon Lock Nut	4
8	1111-861433	Bracket, Mounting A	1	MOUNTING HARDWARE NOT SHOWN			
9	1111-861434	Bracket, Mounting B	1				
10	1111-861445	Extension, Front Bracket	2	1111-960497	HRDWR PACK CNG3 FRNT ASSY		
11	0820-680620	3/8 Flat Washer	8	Part No.	Description	Qty.	

0810-650729	BOLT TAP. 3/8-16 x 7	16
0815-660660	NUT HEX. 3/8-16	16
0820-680620	WASHER FLAT 3/8"	32
0825-650620	BOLT HWH 3/8 x 1-1/2 TYPE F	8
0810-650542	BOLT HHCS 3/8-16 x 1-1/4"	8

Front Assembly 6" Drop Manual

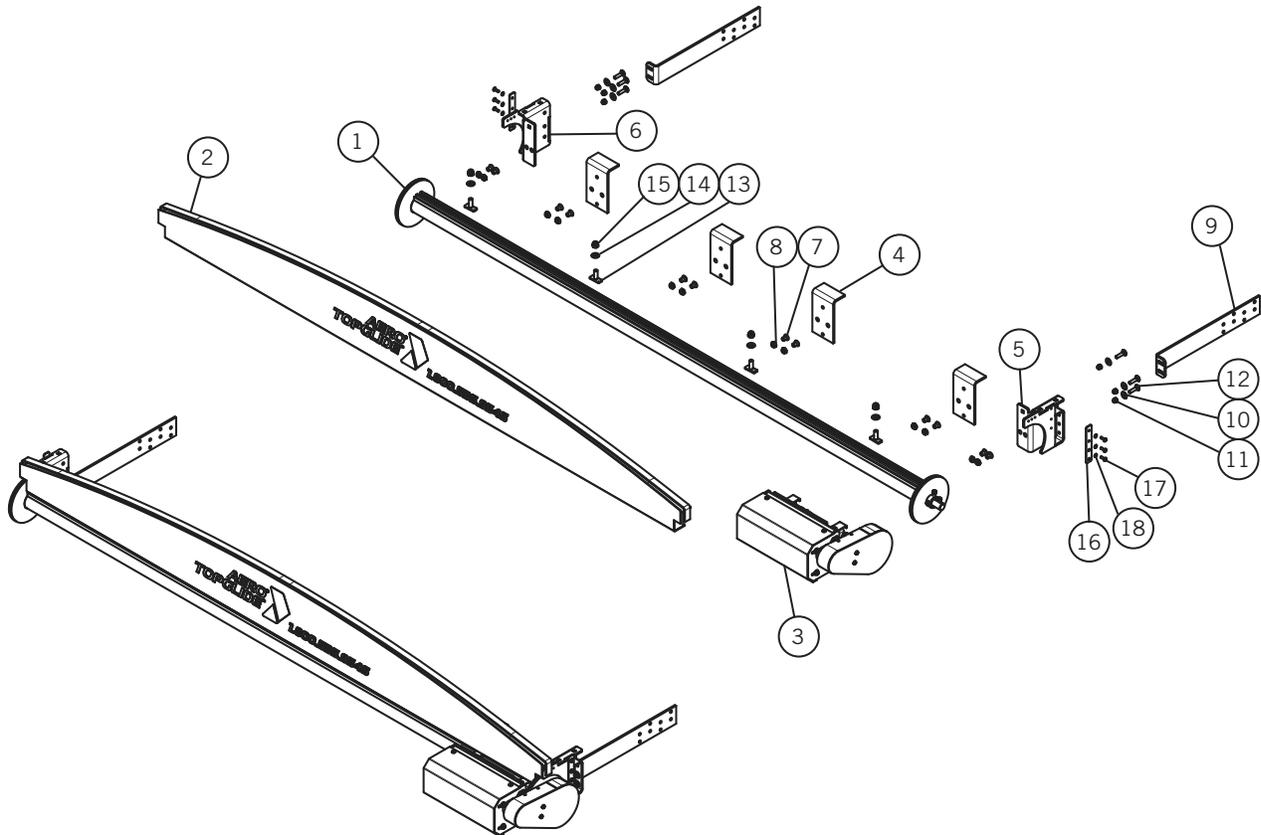
System Width	Rise	A. Front Assembly	1. Front Assembly	2. Wind Deflector
93"	6"	1111-963467	1111-960430	1111-962269
99"	6"	1111-963470	1111-960569	1111-962237
105"	6"	1111-963473	1111-960582	1111-962239
93"	12"	1111-963427	1111-960430	1111-962268
99"	12"	1111-963422	1111-960569	1111-962227
105"	12"	1111-963423	1111-960582	1111-962228



No.	Part No.	Description	Qty.	No.	Part No.	Description	Qty.
1	See Table	Front Assembly	1	13	1111-861426	BOLT HHCS 1/2-13 x 1-1/2 GR 5	4
2	See Table	Wind Deflector	1	14	0820-680810	WASHER FLAT 1/2"	4
3	0750-618591	Sprocket 40B54 1" Bore 2SS	1	15	0815-660855	1/2-13 Nylon Lock Nut	4
4	1111-861435	Hanger Front Assembly	4	16	1111-861490	Drop Plate, 6" Bow	2
5	1111-961427	Cable Bracket - D.S.	1	17	0825-670889	1/4-20 Pan Head Bolt	6
6	1111-961428	Cable Bracket - P.S.	1	18	0820-680725	WASHER SLCK 1/4"	6
7	0810-670827	1/2-13 x 1 Flat Head Bolt	12	MOUNTING HARDWARE			
8	0815-660531	1/2-13 Thin Nylon Lock Nut	12	NOT SHOWN			
9	1111-861477	Extension, Front Bracket	2	1111-960497	HRDWR PACK CNG3 FRNT ASSY		
10	0820-680606	3/8 Flat Washer	6	Part No.	Description	Qty.	
11	0815-660660	3/8-16 Nylon Lock Nut	6	0810-650729	BOLT TAP. 3/8-16 x 7	16	
12	0810-650643	3/8-16 x 1.5 - Carriage Bolt	6	0815-660660	NUT HEX. 3/8-16	16	
				0820-680620	WASHER FLAT 3/8"	32	
				0825-650620	BOLT HWH 3/8 x 1-1/2 TYPE F	8	
				0810-650542	BOLT HHCS 3/8-16 x 1-1/4"	8	

Front Assembly 6" Drop Electric

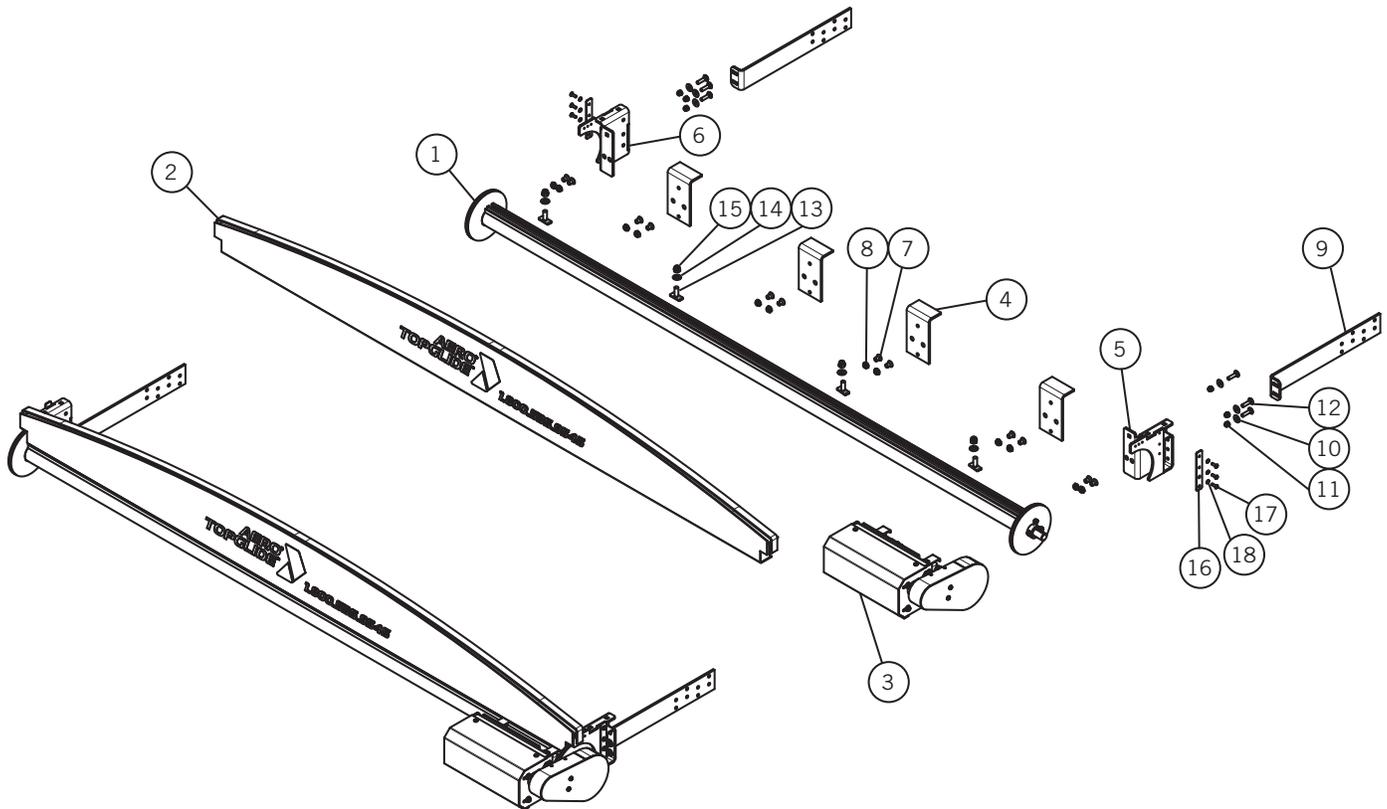
System Width	Rise	A. Front Assembly	1. Front Assembly	2. Wind Deflector
93"	6"	1111-963465	1111-960430	1111-962269
99"	6"	1111-963468	1111-960569	1111-962237
105"	6"	1111-963471	1111-960582	1111-962239
93"	12"	1111-963428	1111-960430	1111-962268
99"	12"	1111-963418	1111-960569	1111-962227
105"	12"	1111-963421	1111-960582	1111-962228



No.	Part No.	Description	Qty.	No.	Part No.	Description	Qty.
1	See Table	Front Assembly	1	13	1111-861426	BOLT HHCS 1/2-13 x 1-1/2 GR 5	4
2	See Table	Wind Deflector	1	14	0820-680810	WASHER FLAT 1/2"	4
3	1111-963374	Motor Assembly	1	15	0815-660855	1/2-13 Nylon Lock Nut	4
4	1111-861435	Hanger Front Assembly	4	16	1111-861490	Drop Plate, 6" Bow	2
5	1111-961427	Cable Bracket - D.S.	1	17	0825-670889	1/4-20 Pan Head Bolt	6
6	1111-961428	Cable Bracket - P.S.	1	18	0820-680725	WASHER SLCK 1/4"	6
7	0810-670827	1/2-13 x 1 Flat Head Bolt	12	<h3>MOUNTING HARDWARE</h3> <p>NOT SHOWN</p>			
8	0815-660531	1/2-13 Thin Nylon Lock Nut	12				
9	1111-861477	Extension, Front Bracket	2	1111-960497	HRDWR PACK CNG3 FRNT ASSY		
10	0820-680606	3/8 Flat Washer	6	Part No.	Description	Qty.	
11	0815-660660	3/8-16 Nylon Lock Nut	6	0810-650729	BOLT TAP. 3/8-16 x 7	16	
12	0810-650643	3/8-16 x 1.5 - Carriage Bolt	6	0815-660660	NUT HEX. 3/8-16	16	
				0820-680620	WASHER FLAT 3/8"	32	
				0825-650620	BOLT HWH 3/8 x 1-1/2 TYPE F	8	
				0810-650542	BOLT HHCS 3/8-16 x 1-1/4"	8	

Front Assembly 6" Drop Smart Electronics

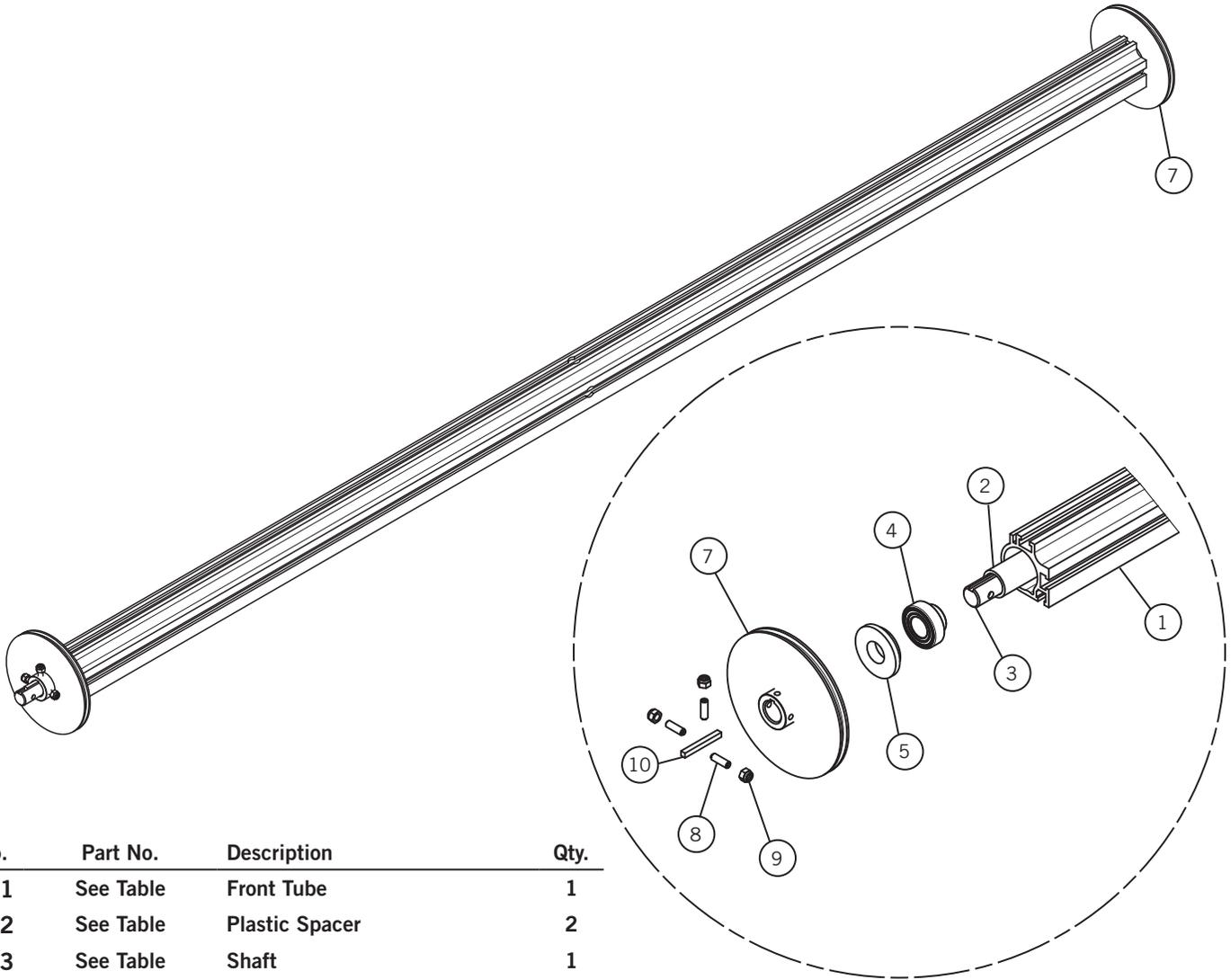
System Width	Rise	A. Front Assembly	1. Front Assembly	2. Wind Deflector
93"	6"	1111-963466	1111-960430	1111-962269
99"	6"	1111-963469	1111-960569	1111-962237
105"	6"	1111-963472	1111-960582	1111-962239
93"	12"	1111-963426	1111-960430	1111-962268
99"	12"	1111-963424	1111-960569	1111-962227
105"	12"	1111-963425	1111-960582	1111-962228



No.	Part No.	Description	Qty.	No.	Part No.	Description	Qty.
1	See Table	Front Assembly	1	13	1111-861426	BOLT HHCS 1/2-13 x 1-1/2 GR 5	4
2	See Table	Wind Deflector	1	14	0820-680810	WASHER FLAT 1/2"	4
3	1111-963375	Motor Assembly	1	15	0815-660855	1/2-13 Nylon Lock Nut	4
4	1111-861435	Hanger Front Assembly	4	16	1111-861490	Drop Plate, 6" Bow	2
5	1111-961427	Cable Bracket - D.S.	1	17	0825-670889	1/4-20 Pan Head Bolt	6
6	1111-961428	Cable Bracket - P.S.	1	18	0820-680725	WASHER SLCK 1/4"	6
7	0810-670827	1/2-13 x 1 Flat Head Bolt	12	MOUNTING HARDWARE NOT SHOWN			
8	0815-660531	1/2-13 Thin Nylon Lock Nut	12				
9	1111-861477	Extension, Front Bracket	2	1111-960497	HRDWR PACK CNG3 FRNT ASSY		
10	0820-680606	3/8 Flat Washer	6	Part No.	Description	Qty.	
11	0815-660660	3/8-16 Nylon Lock Nut	6	0810-650729	BOLT TAP. 3/8-16 x 7	16	
12	0810-650643	3/8-16 x 1.5 - Carriage Bolt	6	0815-660660	NUT HEX. 3/8-16	16	
				0820-680620	WASHER FLAT 3/8"	32	
				0825-650620	BOLT HWH 3/8 x 1-1/2 TYPE F	8	
				0810-650542	BOLT HHCS 3/8-16 x 1-1/4"	8	

Front Tube Assembly

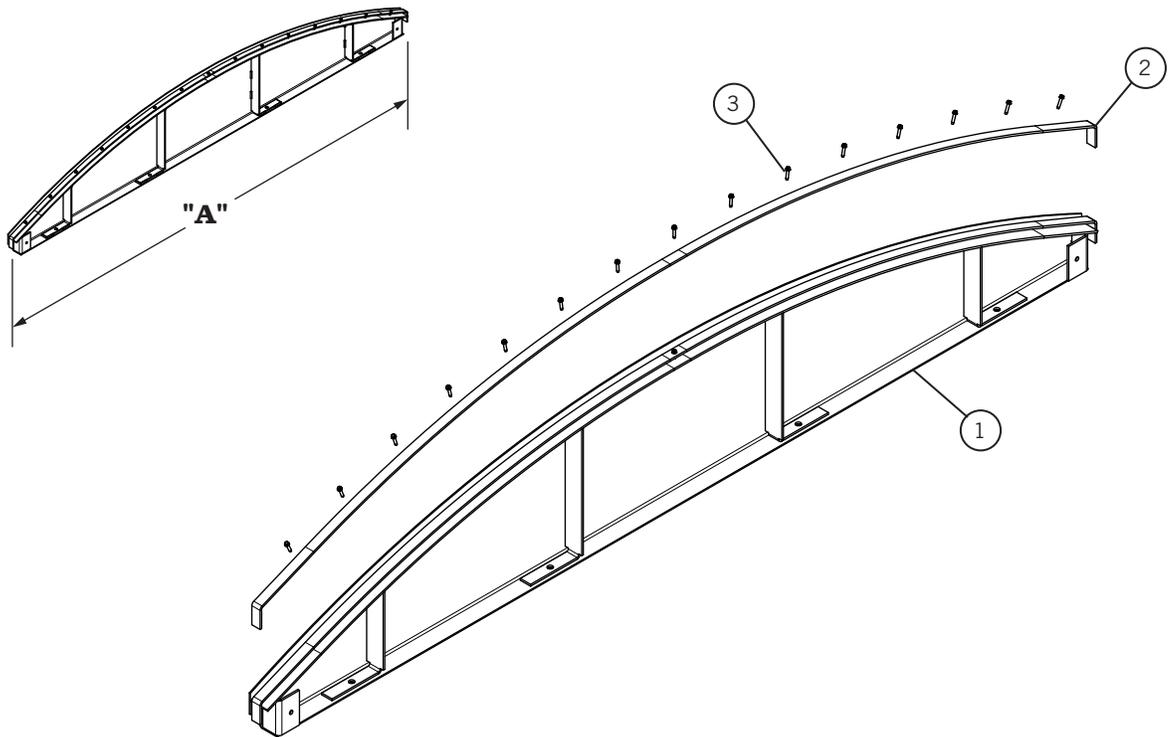
System Width	A. Front Tube	1. Front Tube	2. Plastic Spacer	3. Shaft
93"	1111-960430	1111-860545	1111-860840	1111-860518
99"	1111-960569	1111-860538	1111-860842	1111-860539
105"	1111-960582	1111-860548	1111-860837	1111-860554



No.	Part No.	Description	Qty.
1	See Table	Front Tube	1
2	See Table	Plastic Spacer	2
3	See Table	Shaft	1
4	0710-602180	Bearing 1" Bore	3
5	1111-860836	Nylon Thrust Washer	2
6	0840-618527	Keystick 1/4" x 2-1/4"	1
7	1111-964011	Sheave 7", 1" Bore with Keyway	2
8	0825-670130	Set Screw 5/16-18 x 1"	6
9	0815-660550	Nylon Hex Nut 5/16-18	6
10	0840-618512	KEY 1/4" x 1-1/2" ZINC	1

Wind Deflector Assembly

System Width	Rise	A. Wind Deflector	"A"	1. Wind Deflector Assembly	2. Tarp Strap, Wind Deflector
93"	6"	1111-962269	94"	1111-962272	1111-862279
99"	6"	1111-962237	100"	1111-962235	1111-862703
105"	6"	1111-962239	106"	1111-962236	1111-862707
93"	12"	1111-962268	94"	1111-962273	1111-862284
99"	12"	1111-962227	100"	1111-962225	1111-862676
105"	12"	1111-962228	106"	1111-962226	1111-862678
93"	16"	1111-962260	94"	1111-962264	1111-862275
99"	16"	1111-962261	100"	1111-962265	1111-862266
105"	16"	1111-962263	106"	1111-962267	1111-862272



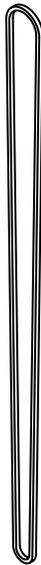
No.	Part No.	Description	Qty.
1	See Table	WIND DEFLECTOR ASSY	1
2	See Table	TARP STRAP, WIND DEFLECTOR	1
3	0825-670365	#12 x 1 UNSLOTTED HEX	18

Crank Assembly

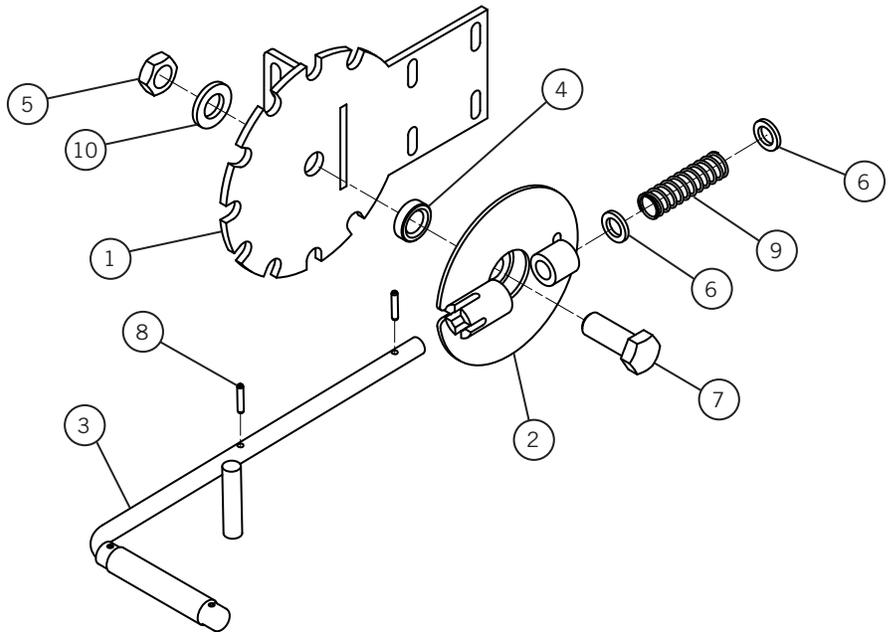
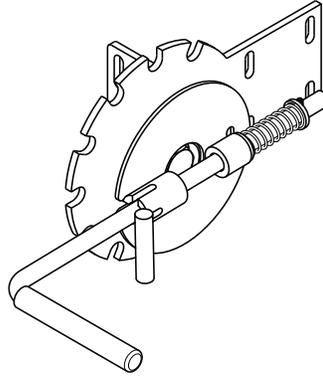
1111-962205



0720-603559
 Chain Roller #40 168"

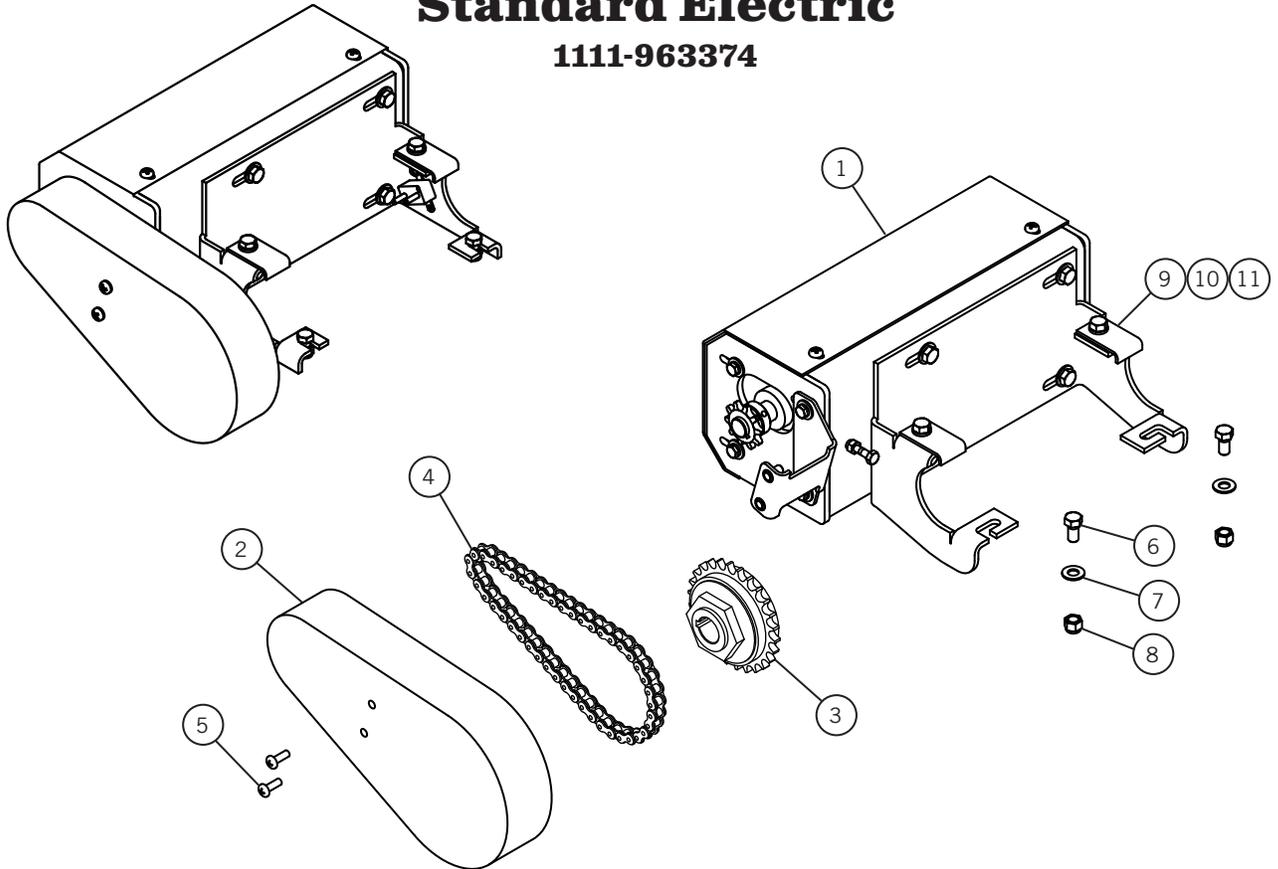


0720-603557
 Chain Roller #40 NP 168"
 Stainless Steel



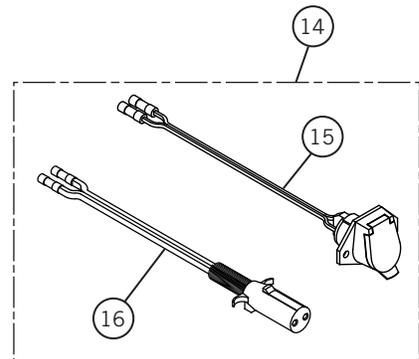
No.	Part No.	Description	Qty.
1	1111-962109	Crank Base Multi-Position	1
2	1111-961335	Sprocket/Bearing Assembly	1
3	1111-960869	Crank Handle Assembly	1
4	1111-861792	Crank Spacer	1
5	0815-661256	3/14-10 Nyloc Jam Nut	1
6	0820-602970	5/8" Machine Bushing	2
7	0810-651224	3/4-10 x 2 Bolt	1
8	0835-691113	3/16" x 1" Spring Pin	2
9	0715-619603	3" Compression Spring	1
10	0820-681209	Washer Flat 3/4" SAE Zinc	1

Motor Kit Standard Electric 1111-963374



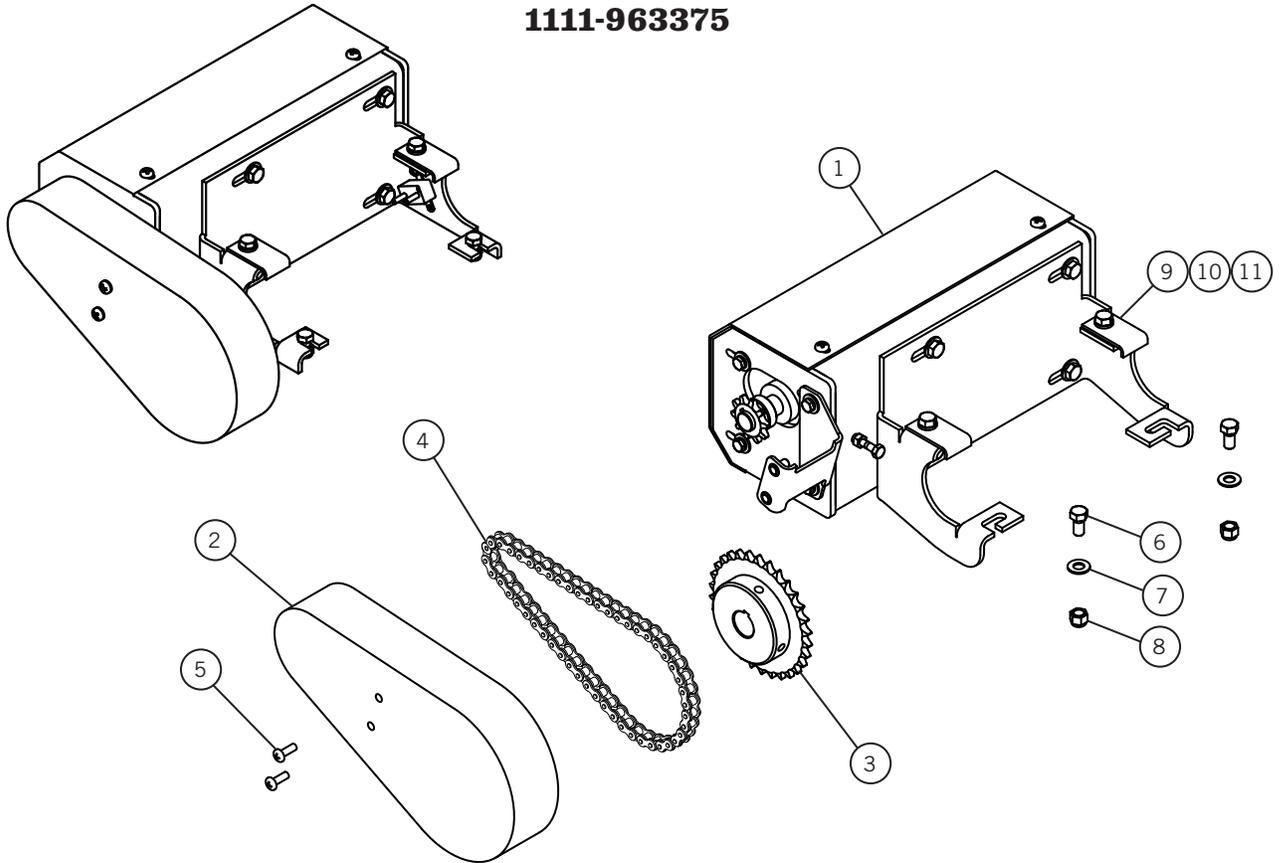
No.	Part No.	Description	Qty.
1	1111-960517	Motor Assembly, Parallel Shaft	1
2	1111-960750	COVER ASSY. WELDED ALUM	1
3	0750-619612	Torque Limiter 1" ID M350	1
4	0720-603554	Chain Roller #40 32"	1
5	0825-670459	Screw #14 x 1/2 HWH Type F	2
6	0810-670682	3/8-16 x .75 - Bolt	2
7	0820-680620	Washer Flat 3/8"	2
8	0815-660660	3/8-16 Nylock Hex Nut	2
9	1111-860532	Clamp Plate Motor Mount	2
10	0810-670682	3/8-16 x .75 - Bolt	2
11	0820-680610	3/8 Lock Washer	2
12	0755-626588	Wire 14ga - Gray	20'
13	0755-962104	RDCC Kit 25 amp with Rocker	1

Parts Not Shown: 12, 13



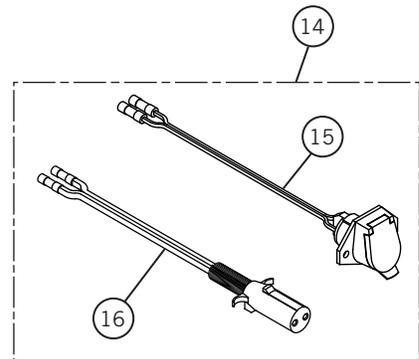
14	0755-626460	Quick Disconnect Plug Assembly	
No.	Part No.	Description	Qty.
15	0755-626454	PLUG, Q/D ASSY; MALE	1
16	0755-626455	PLUG, Q/D ASSY; FEMALE	1

Motor Kit
Smart Electronics
 1111-963375



No.	Part No.	Description	Qty.
1	1111-960517	Motor Assembly, Parallel Shaft	1
2	1111-960750	COVER ASSY. WELDED ALUM	1
3	0750-619594	Sprocket 40B30 1" Bore	1
4	0720-603561	Chain Roller #40 24.75"	1
5	0825-670459	Screw #14 x 1/2 HWH Type F	2
6	0810-670682	3/8-16 x .75 - Bolt	2
7	0820-680620	Washer Flat 3/8"	2
8	0815-660660	3/8-16 Nylock Hex Nut	2
9	1111-860532	Clamp Plate Motor Mount	2
10	0810-670682	3/8-16 x .75 - Bolt	2
11	0820-680610	3/8 Lock Washer	2
12	0755-626588	Wire 14ga - Gray	20'
13	0755-962104	RDCC Kit 25 amp with Rocker	1

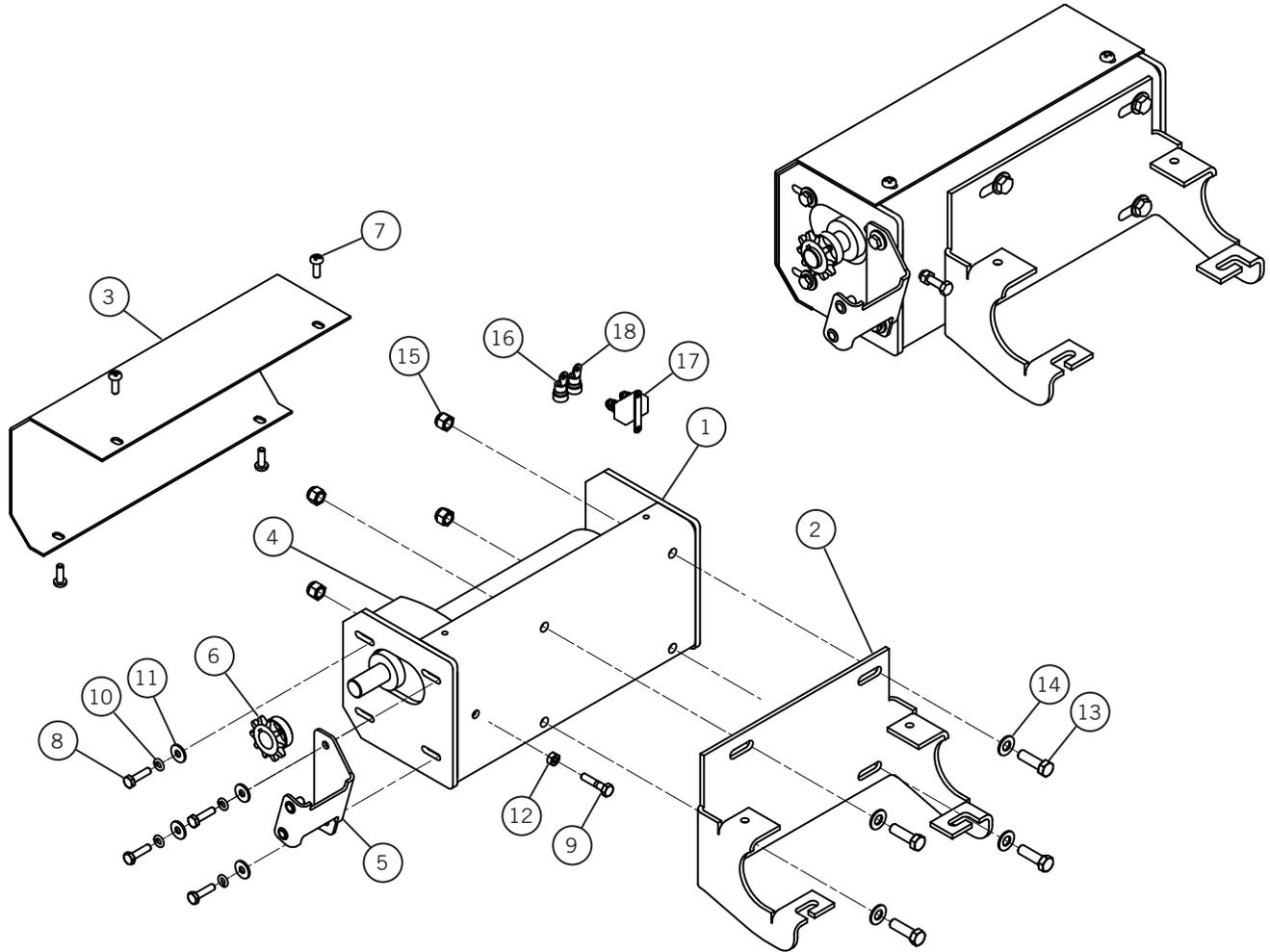
Parts Not Shown: 12, 13



14	0755-626460	Quick Disconnect Plug Assembly	
No.	Part No.	Description	Qty.
15	0755-626454	PLUG, Q/D ASSY; MALE	1
16	0755-626455	PLUG, Q/D ASSY; FEMALE	1

Motor Housing Assembly

1111-960517

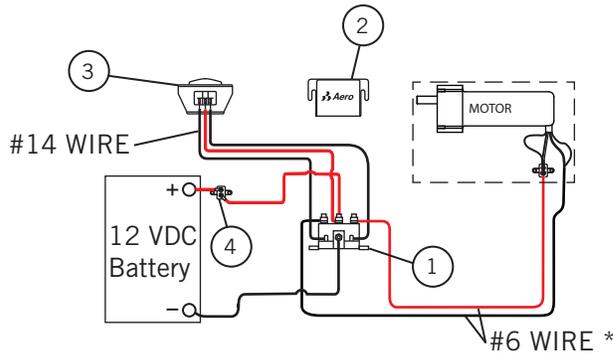


No.	Part No.	Description	Qty.	No.	Part No.	Description	Qty.
1	1111-960640	Motor Housing with Clench Nut	1	10	0820-680725	1/4 Split Lock Washer	4
2	1111-860533	Plate Mounting, Electric	1	11	0820-680410	1/4 Flat Washer	4
3	1111-860577	Cover Plate, Electric	1	12	0815-660452	1/4-20 Hex Finish Nut	1
4	0755-960272	Motor Assembly, Parallel Shaft	1	13	0810-670654	3/8-16 x 1 1/4 - Bolt	4
5	1111-960539	Chain Cover Bracket	1	14	0820-680620	3/8 Flat Washer	4
6	0750-619581	Sprocket, 40B10 3/4 Bore	1	15	0815-660660	3/8-16 Nylock Hex Nut	4
7	0825-670551	1/4 x 3/4 Type F-Bolt	4	16	0755-626521	Wire End #10 x #10 Ring	1
8	0810-650454	1/4-28 x 1" Bolt	4	17	0755-623510	Circuit Breaker 25 amp	1
9	0810-650471	1/4-20 x 1.25 - Bolt	1	18	0755-626522	Wire #10 x 14" White	1

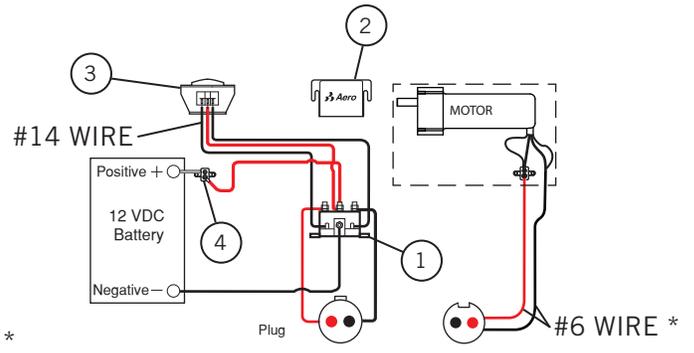
Standard Electrical Controls with Rocker Switch

0755-962104

NOTICE: USING BREAKER GREATER THAN 25 AMP MAY RESULT IN MOTOR FAILURE.



Truck



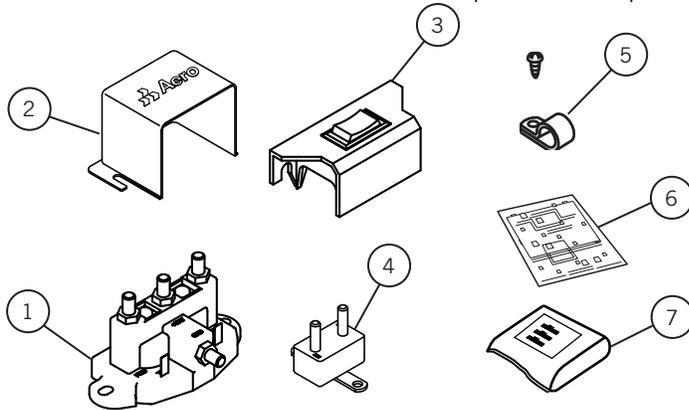
Tractor

Trailer

* #6 Duplex Wire is optional and not supplied in this kit.

0755-962104

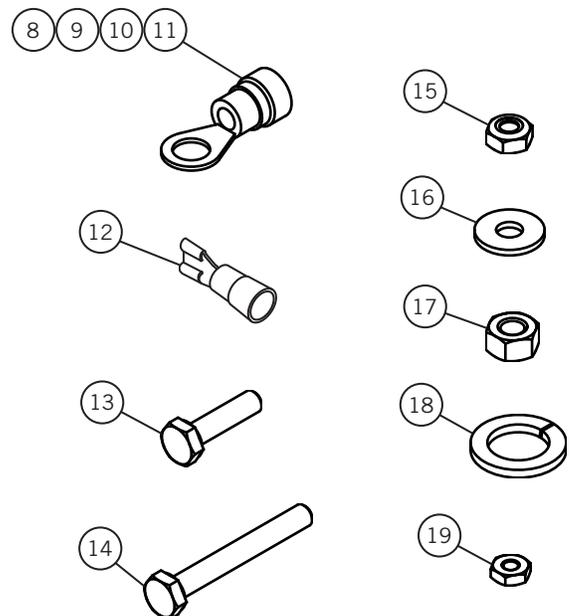
RDCC ELEC KIT



No.	Part No.	Description	Qty.
1	0755-623560	REVERSING DC CONTACT 12V	1
2	0755-623559	CONTACTOR COVER	1
3	0755-962102	SWITCH - ROCKER	1
4	0755-623510	CIRCUIT BREAKER 25A	2
5	0850-603757	LOOM CLAMP 5/8" I.D.	12
6	0930-861628	WIRING DIAGRAM	1
7	0755-962111	HARDWARE KIT	1
8	0755-626500	WIRE END #6 BUTT CONNCT	4
9	0755-626507	WIRE END #6 x #10 RING	8
10	0755-626503	WIRE END #6 x 3/8 RING	2

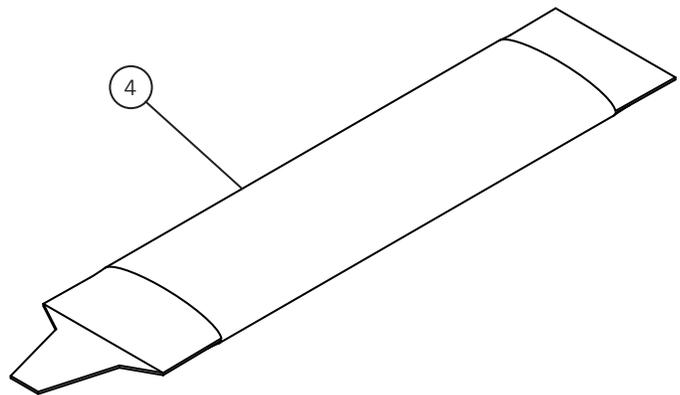
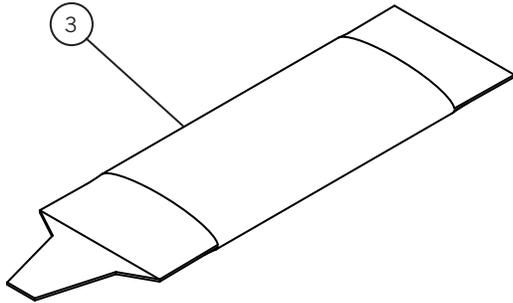
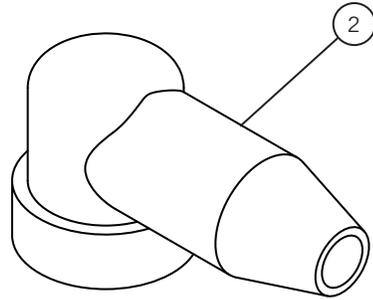
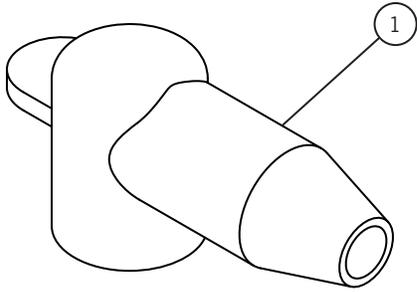
0755-962111
RDCC HARDWARE KIT

No.	Part No.	Description	Qty.
11	0755-626503	WIRE END #6 x 3/8 RING	6
12	0755-626507	WIRE END #6 x #10 RING	4
13	0755-626504	WIRE END #6 x 1/4 RING	2
14	0755-626553	WIRE END #14 x 3/8 RING	1
15	0755-626554	WIRE END #14 x 1/4 PUSH	6
16	0810-650500	BOLT 1/4-20 x 1	2
17	0810-650473	BOLT 1/4-20 x 2	2
18	0815-660456	LOCK NUT 1/4-20 JAM	4
19	0820-680410	WASHER FLAT 1/4"	6
20	0815-660307	NUT HEX 5/16-24	4
21	0820-680520	WASHER LOCK 5/16"	4
22	0815-660121	LOCK NUT #10-32	4



Connector Boot/Grease Kit

0755-960400 Kit, E/C Connector Boot/Grease Kit

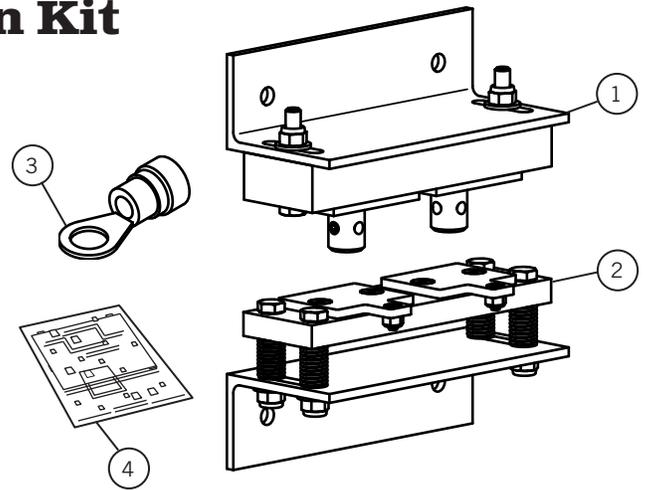


No.	Part No.	Description	Qty.
1	0755-860170	Red Boot Cap	8
2	0755-860171	Black Boot Cap	6
3	0755-626202	Dielectric Grease	8
4	0755-626201	Conductive Grease	1

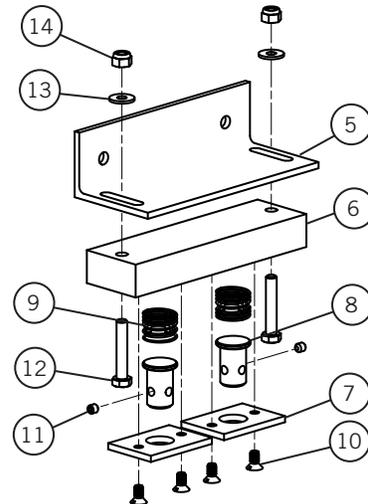
Wireless Connection Kit

0755-960150 Wireless Connection Kit

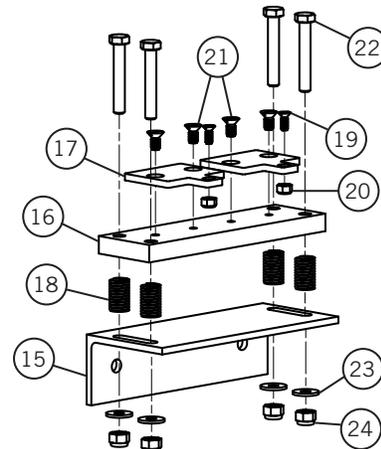
No.	Part No.	Description
1	0755-960152	Plunger Assembly
2	0755-960151	Striker Plate Assembly
3	0755-626504	Wire End #6 x 1/4 Ring
4	0930-861827	Installation Instruction Wireless



No.	Part No.	Description
	0755-960152	Plunger Assembly
5	0755-860126	Mounting Angle
6	0755-860122	Insulator Top Electrical
7	0755-860123	Retainer Plate Electrical
8	0755-860124	Plunger Electrical Connect
9	0715-619415	Spring Electrical Connect
10	0825-650503	1/4-20 x 1/2 Slotted Flat Head
11	0825-670575	1/4-20 x 1/4 Socket Set Screw
12	0810-650103	5/16-18 x 1 3/4 Hex Bolt
13	0820-680510	5/16 Flat Washer
14	0815-660550	5/16-18 Nylon Hex Nut

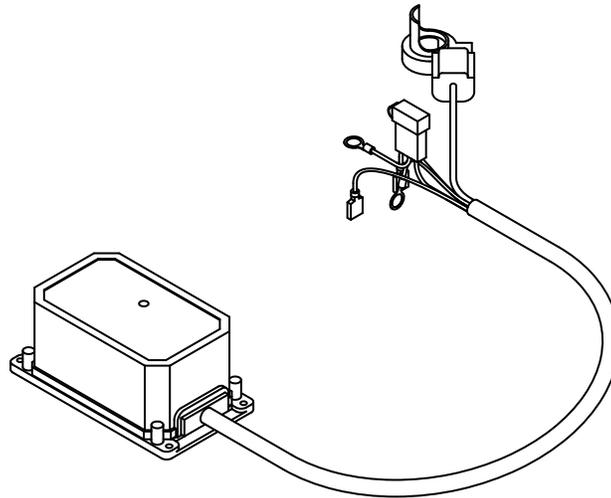


No.	Part No.	Description
	0755-960151	Striker Plate Assembly
15	0755-860126	Mounting Angle
16	0755-860120	Insulator Bottom Electrical
17	0755-860121	Striker Plate Electrical
18	0715-619802	Spring .600 O.D. x 1
19	0825-650502	#10-24 x 1/2 Slotted Flat Head
20	0815-660121	#10-24 Nylon Hex Nut
21	0825-650503	1/4-20 x 1/2 Slotted Flat Head
22	0810-650523	5/16-18 x 2 Hex Bolt
23	0820-680510	5/16 Flat Washer
24	0815-660550	5/16-18 Nylon Hex Nut



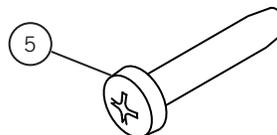
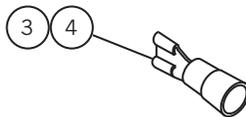
Smart Electrical Controls with Rocker Switch

0755-960000

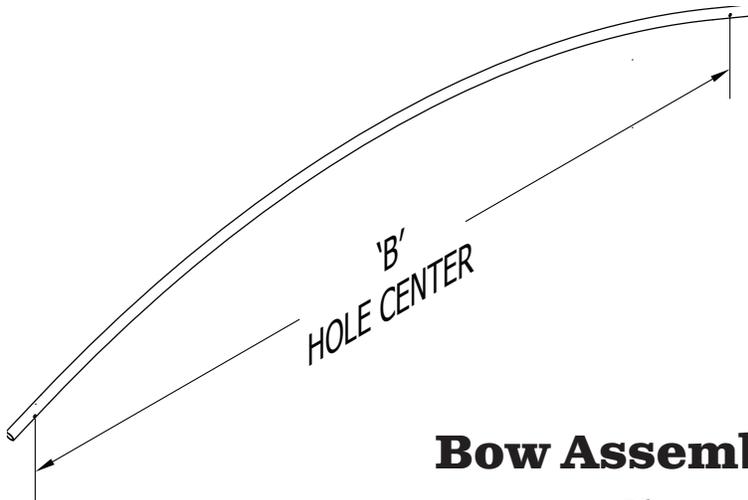


No.	Part No.	Description	Qty.
	0755-960000	Smart Circuit Breaker	
1	0755-623520	Kit, Cir Brk, Cur Sen, TF4	1
2	0755-962150	SMT CIR BRK HARDWARE PACK	1

No.	Part No.	Description	Qty.
	0755-962150	SMT CIR BRK HARDWARE PACK	
3	0755-962151	INSULATED .25" MALE SPADE	1
4	0755-962152	INSULATED .25" FEMALE	2
5	0825-670364	SCREW #10 x 1" PAN HEAD	4



Bow

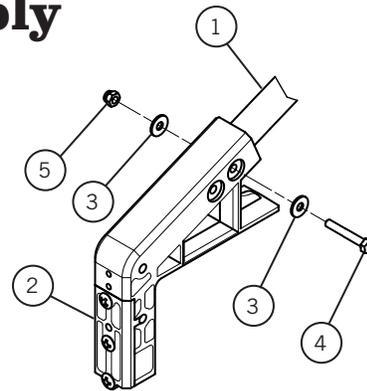
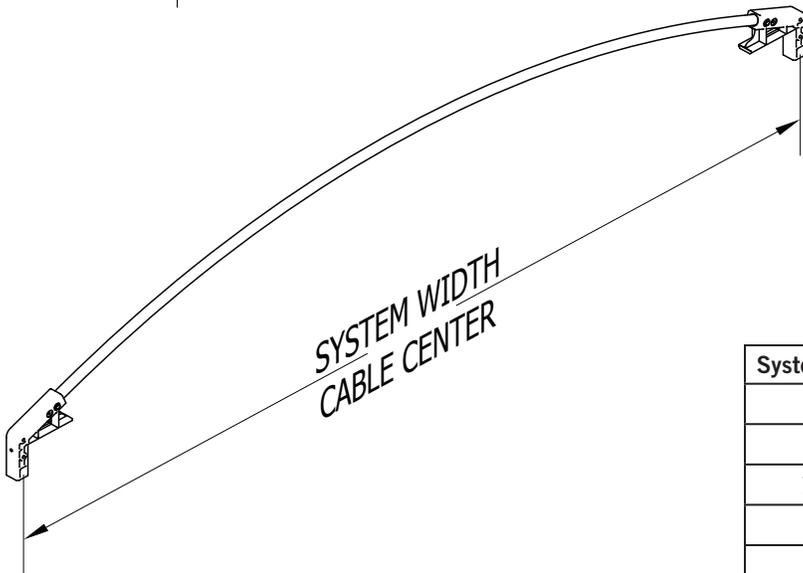


**1111-619524
Plastic Glide Strip 40'**

**1830-999924
Torx Flathead 1/4-20 x 1 Type F**

System Width	"B"
93"	84.5"
99"	90.5"
105"	96.5"

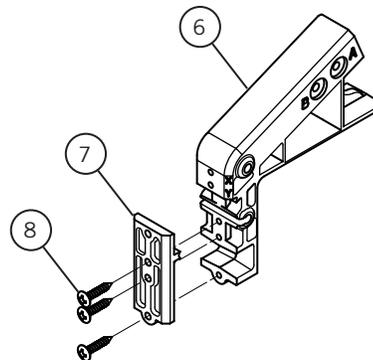
Bow Assembly



System Width	Rise	Bow Assembly	1. Formed Bow
93"	6"	1118-963593	1118-860493
99"	6"	1118-963599	1118-860499
105"	6"	1118-963505	1118-860405
93"	12"	1118-963433	1118-860313
99"	12"	1118-963432	1118-860312
105"	12"	1118-963430	1118-860310
93"	16"	1118-963793	1118-963793
99"	16"	1118-963799	1118-963799
105"	16"	1118-963705	1118-963705

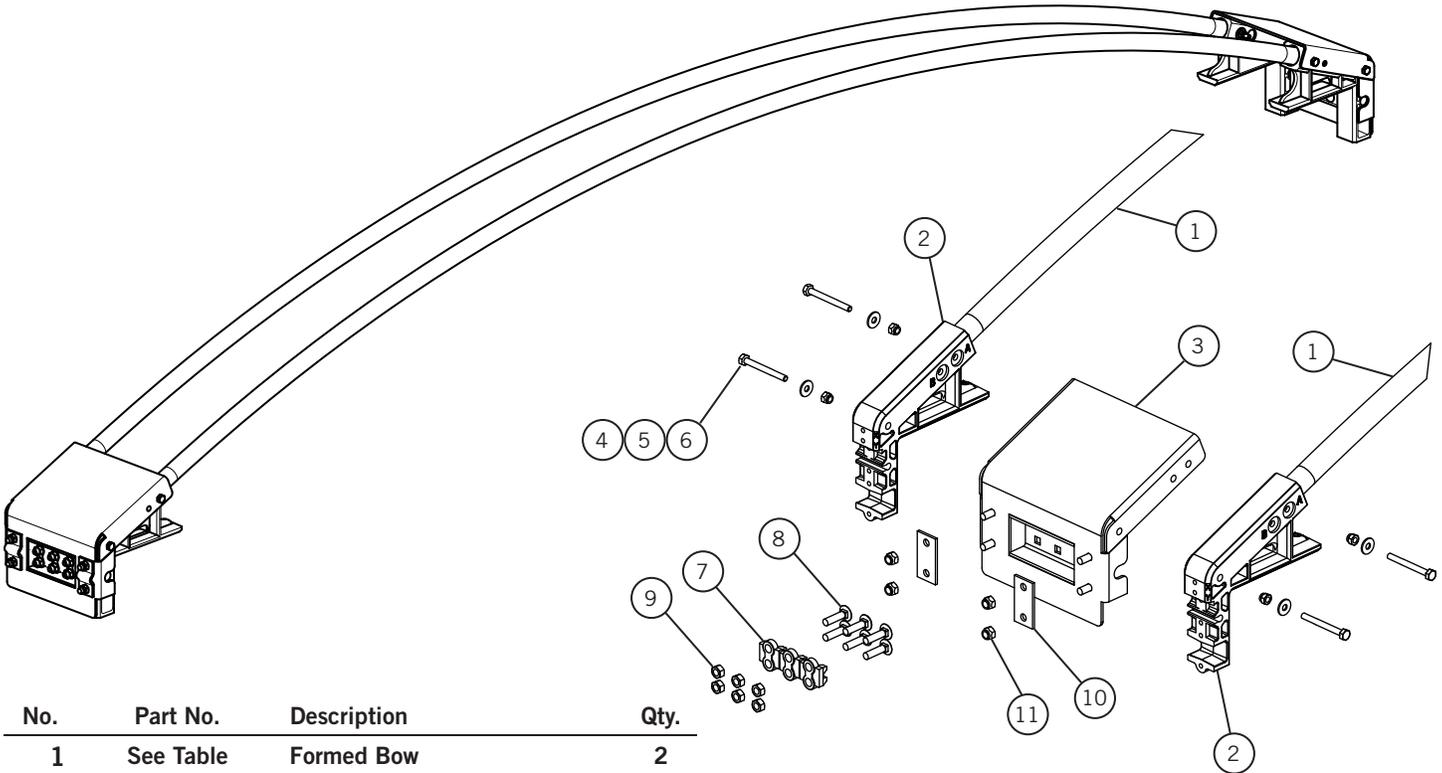
No.	Part No.	Description	Qty.
1	See Table	Formed Bow	1
2	1111-960008	Bow End Assy 4"	1
3	0820-680410	1/4 - Flat Washer	4
4	0810-670452	1/4-20 x 1.75 - Bolt	2
5	0815-660451	1/4-20 Nylon Lock Nut	2

No.	Part No.	Description	Qty.
	1111-960008	BOW END ASSY 4"	
6	1111-860029	BOW END REMOVABLE 4"	1
7	1111-860028	BOW END INSERT 4"	1
8	0825-650511	SCREW #14 x 1-1/4 TRUSS PH	3



Power Bow Assembly

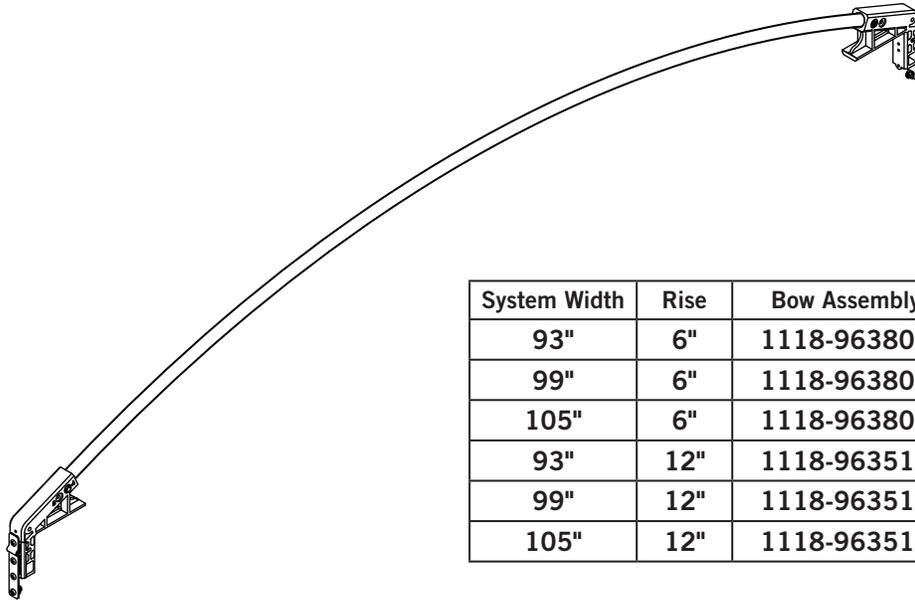
System Width	Rise	A. Power Bow Assembly	Bow Assembly	1. Formed Bow
93"	6"	1111-961153	1118-963411	1118-860493
99"	6"	1111-961151	1118-963409	1118-860499
105"	6"	1111-961152	1118-963410	1118-860405
93"	12"	1111-961142	1118-963412	1118-860313
99"	12"	1111-961140	1118-963403	1118-860312
105"	12"	1111-961138	1118-963407	1118-860310
93"	18"	1111-961163	1118-963416	1118-963793
99"	18"	1111-961162	1118-963415	1118-963799
105"	18"	1111-961160	1118-963413	1118-963705



No.	Part No.	Description	Qty.
1	See Table	Formed Bow	2
2	1111-860029	Plastic Power Bow End	4
3	1111-962240	Power Bow Drive Box	2
4	0810-650435	Bolt HHCS 1/4-20 x 2.5	8
5	0820-680410	1/4 Flat Washer	8
6	0815-660451	1/4-20 Nylon Lock Nut	8
7	0850-603755	1/4" Cable Clamp Saddle Only	6
8	0810-650564	5/16-18 x 1.25 Carriage Bolt	12
9	0815-660510	5/16-18 Hex Finish Nut	12

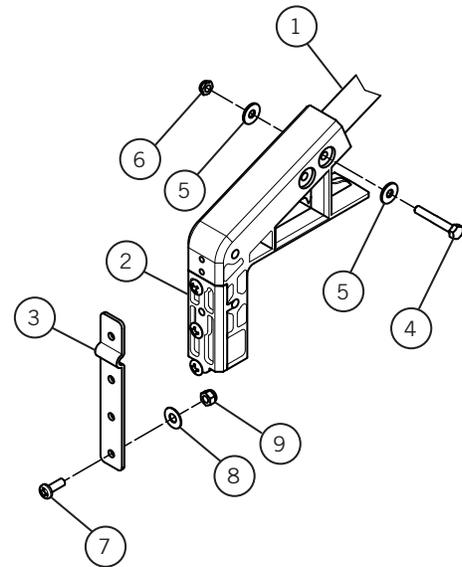
1111-960502		KIT TARP CLAMP	
No.	Part No.	Description	Qty.
10	1111-861486	BRACKET REAR TARP	4
11	0815-660550	NUT HEX. 5/16-18	8

Bow Assembly 6" Drop



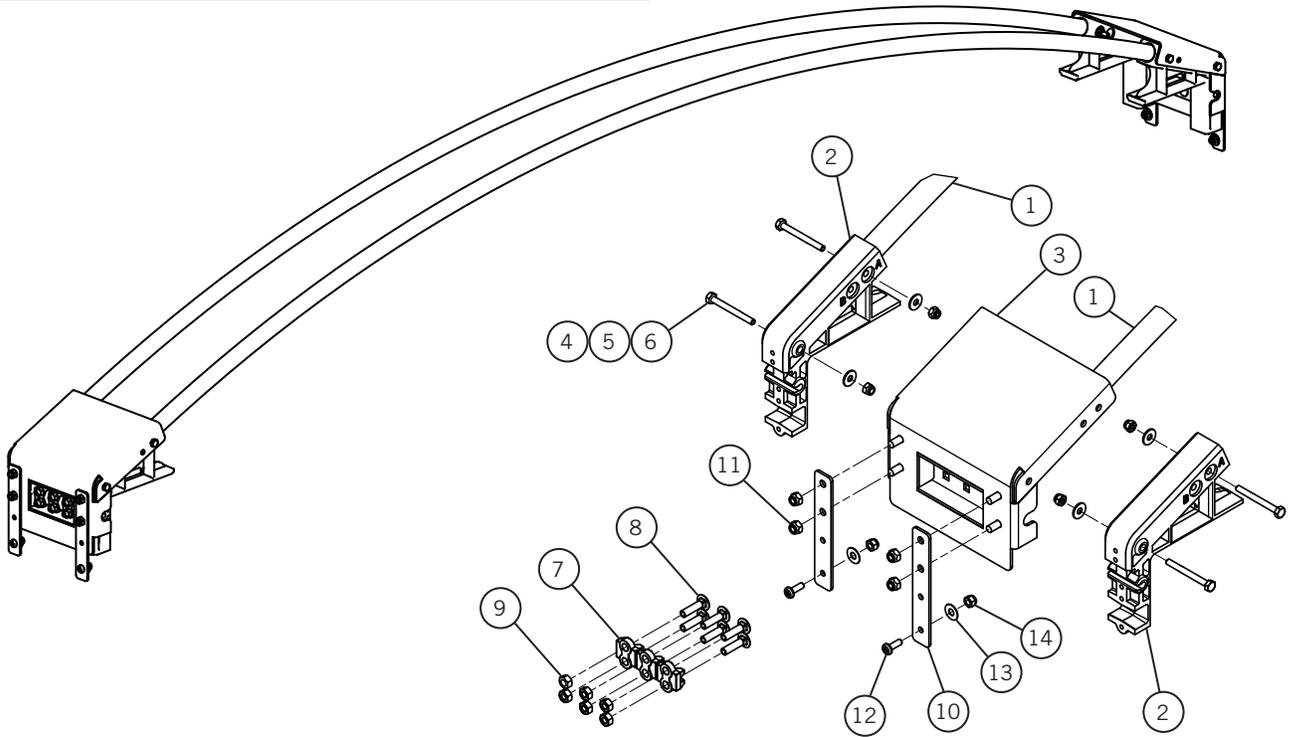
System Width	Rise	Bow Assembly	1. Formed Bow
93"	6"	1118-963800	1118-860493
99"	6"	1118-963801	1118-860499
105"	6"	1118-963802	1118-860405
93"	12"	1118-963515	1118-860313
99"	12"	1118-963512	1118-860312
105"	12"	1118-963514	1118-860310

No.	Part No.	Description	Qty.
1	See Table	Formed Bow	1
2	1111-960008	Bow End Assy 4"	1
3	1111-861475	Drop Plate, 6", Bow	2
4	0810-670452	Bolt HHCS 1/4-20 x 1.75	2
5	0820-680410	1/4 - Flat Washer	4
6	0815-660451	1/4-20 Nylon Lock Nut	2
7	0825-670889-S	Screw 1/4-20 x 3/4 PH Pan	2
8	0820-681212-S	Washer Flat 3/4 OD x .313 ID	2
9	0815-660451-S	Nut Hex 1/4-20	2



Power Bow Assembly 6" Drop

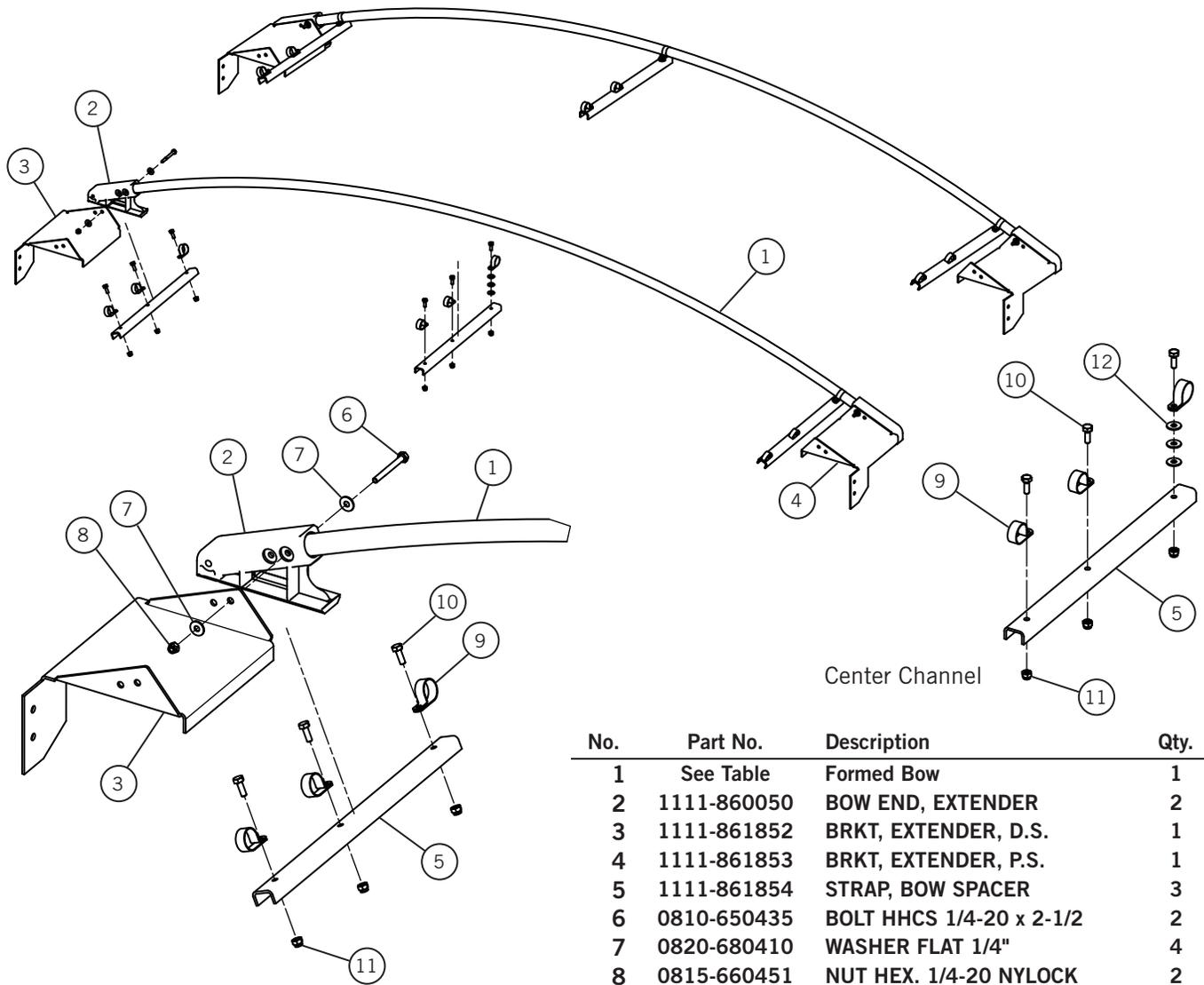
System Width	Rise	A. Power Bow Assembly	1. Formed Bow
93"	6"	1111-961156	1118-860493
99"	6"	1111-961155	1118-860499
105"	6"	1111-961154	1118-860405
93"	12"	1111-961145	1118-860313
99"	12"	1111-961147	1118-860312
105"	12"	1111-961149	1118-860310



No.	Part No.	Description	Qty.
	1111-960502	KIT TARP CLAMP	
10	1111-861486	BRACKET REAR TARP	4
11	0815-660550	NUT HEX. 5/16-18	8
1	See Table	Formed Bow	2
2	1111-860029	Plastic Power Bow End	4
3	1111-962240	Power Bow Drive Box	2
4	0810-650435	Bolt HHCS 1/4-20 x 2.5	8
5	0820-680410	1/4 Flat Washer	8
6	0815-660451	1/4-20 Nylon Lock Nut	8
7	0850-603755	1/4" Cable Clamp Saddle Only	6
8	0810-650564	5/16-18 x 1.25 Carriage Bolt	12
9	0815-660510	5/16-18 Hex Finish Nut	12
10	1111-861490	6" Tarp Flat Plate	4
11	0815-660550	Nut Hex 5/16-18	8
12	0825-670889-S	Screw 1/4-20 x 3/4 PH Pan	4
13	0820-681212-S	Washer Flat 3/4 OD x .313 ID	4
14	0815-660451-S	Nut Hex 1/4-20	4

Power Bow Extender Assembly

System Width	Rise	Bow Assembly	1. Formed Bow
93"	6"	1111-960936	1118-860450
99"	6"	1111-960938	1118-860451
105"	6"	1111-960940	1118-860452
93"	12"	1111-960935	1118-860350
99"	12"	1111-960920	1118-860351
105"	12"	1111-960921	1118-860352
93"	16"	1111-960934	1118-860650
99"	16"	1111-960937	1118-860651
105"	16"	1111-960939	1118-860651



No.	Part No.	Description	Qty.
1	See Table	Formed Bow	1
2	1111-860050	BOW END, EXTENDER	2
3	1111-861852	BRKT, EXTENDER, D.S.	1
4	1111-861853	BRKT, EXTENDER, P.S.	1
5	1111-861854	STRAP, BOW SPACER	3
6	0810-650435	BOLT HHCS 1/4-20 x 2-1/2	2
7	0820-680410	WASHER FLAT 1/4"	4
8	0815-660451	NUT HEX. 1/4-20 NYLOCK	2

1111-960919 HARDWARE PACK; EXTENDER

No.	Part No.	Description	Qty.
9	0850-603770	CLAMP CONDUIT 1"	9
10	0810-600004	BOLT HHCS 1/4-20 x 3/4	9
11	0815-660451	NUT HEX. 1/4-20 NYLOCK	9
12	0820-680410	WASHER FLAT 1/4"	3

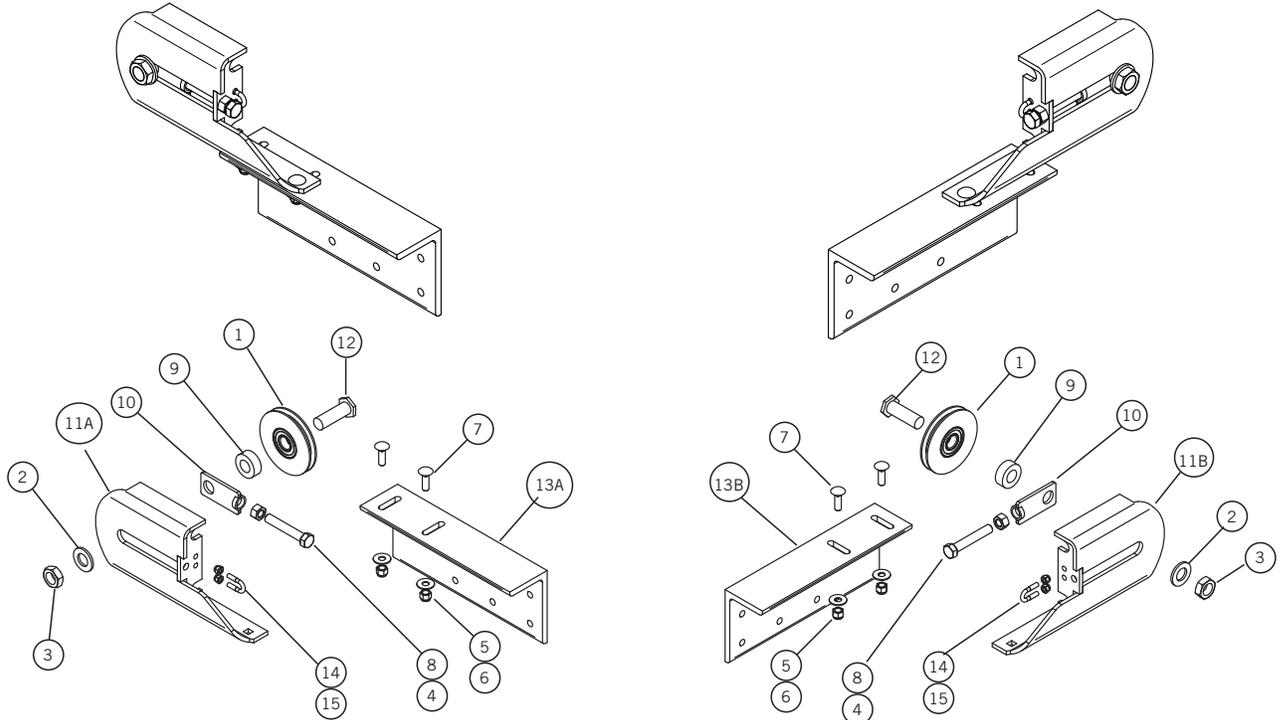
Rear Idler Assemblies

(4" - Aluminum Bracket)

(Passenger's Side)
1111-961426

1111-963043

(Driver's Side)
1111-961425

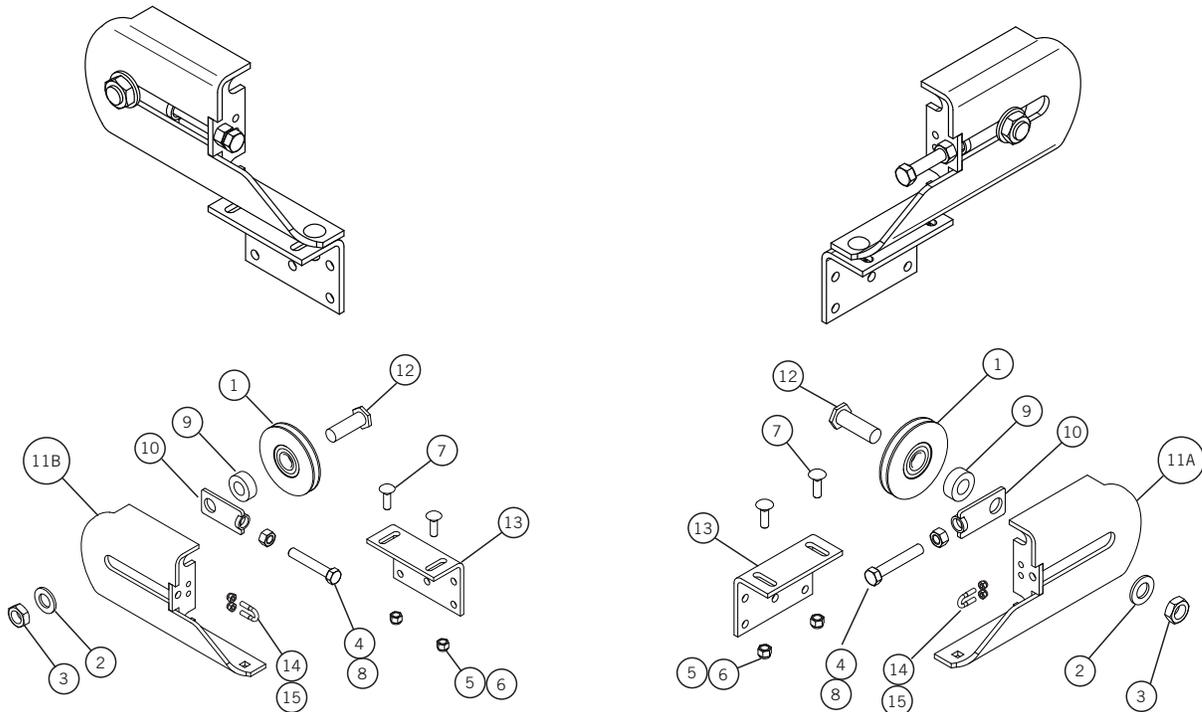


No.	Part No.	Description	Qty. (each side)
1	1111-960854	Sheave Bearing Assembly 4"	1
2	0820-681209	3/4 Washer Flat	1
3	0815-661256	3/4-10 Jam Nut	1
4	0815-660850	1/2-13 Hex Nut	1
5	0815-660660	3/8-16 Nylock Hex Nut	2
6	0820-680620	3/8 Flat Washer	2
7	0810-650565	3/8-16 x 1 1/4 Carriage Bolt	2
8	0810-650733	1/2-13 x 3 HX Tap Bolt	1
9	1111-861407	Spacer Pulley	1
10	1111-961402	Slider Assembly Rear Idler	1
11A	1111-961416	Idler Car Assembly P.S. Push	1
11B	1111-961415	Idler Car Assembly D.S. Push	1
12	1111-861425	Bolt Crank Pulley Push	1
13A	1111-861444	Idler Bracelet - P.S.	1
13B	1111-861443	Idler Bracelet - D.S.	1
14	0850-603750	Cable Clamp	1
15	0815-660451	1/4-20 Nylon Lock Nut	2

**Rear Idler
 Assemblies
 (4" - Steel Bracket)
 1111-963042**

(Passenger's Side)
1111-961418

(Driver's Side)
1111-961417

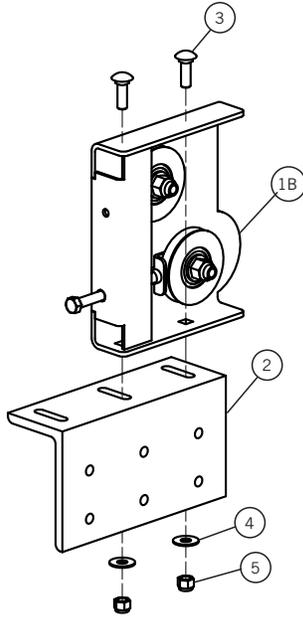


No.	Part No.	Description	Qty. (each side)
1	1111-960854	Sheave Bearing Assembly 4"	1
2	0820-681209	3/4 Washer Flat	1
3	0815-661256	3/4-10 Jam Nut	1
4	0815-660850	1/2-13 Hex Nut	1
5	0815-660660	3/8-16 Nylock Hex Nut	2
6	0820-680620	3/8 Flat Washer	2
7	0810-650565	3/8-16 x 1-1/4 Carriage Bolt	2
8	0810-650733	1/2-13 x 3 HX Tap Bolt	1
9	1111-861407	Spacer Pulley	1
10	1111-961402	Slider Assembly Rear Idler	1
11A	1111-961416	Idler Car Assembly D.S. Push	1
11B	1111-961415	Idler Car Assembly P.S. Push	1
12	1111-861425	Bolt Crank Pulley Push	1
13	1111-861420	Idler Bracelet	1
14	0850-603750	Cable Clamp	1
15	0815-660451	1/4-20 Nylon Lock Nut	2

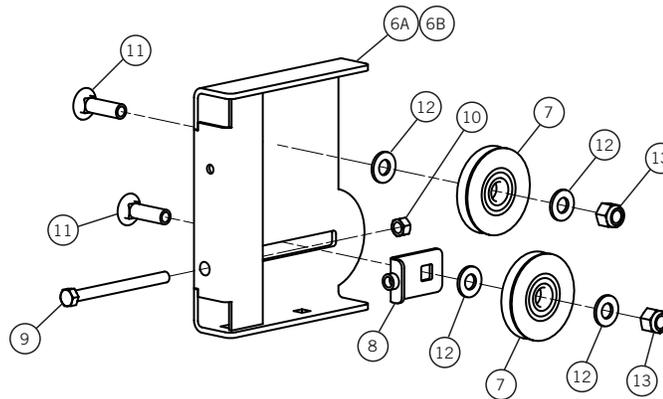
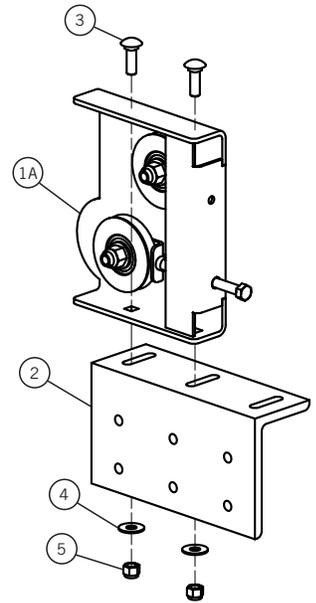
Rear Idler Assemblies

(Double Idler)
 1111-961440

(Passenger's Side)



(Driver's Side)



No.	Part No.	Description	Qty.
1A	1111-961467	REAR IDLER ASSY D.S.-PUSH	1
1B	1111-961468	REAR IDLER ASSY P.S.-PUSH	1
2	1111-861479	IDLER BRACKET	1
3	0810-650565	BOLT CARR 3/8-16 x 1-1/4	4
4	0820-680620	WASHER FLAT 3/8"	4
5	0815-660660	NUT HEX. 3/8-16	4

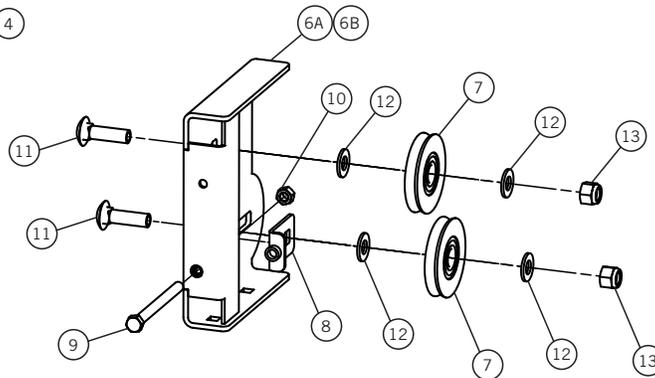
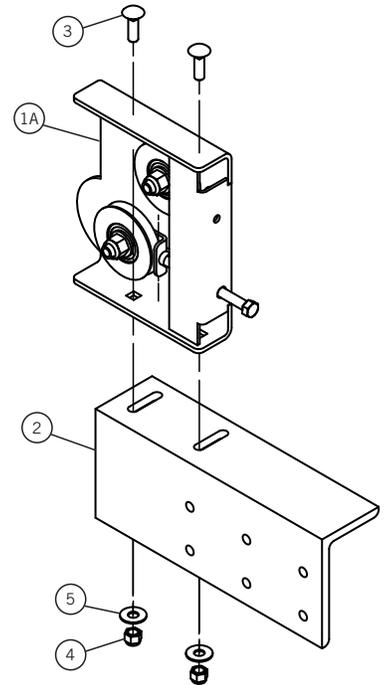
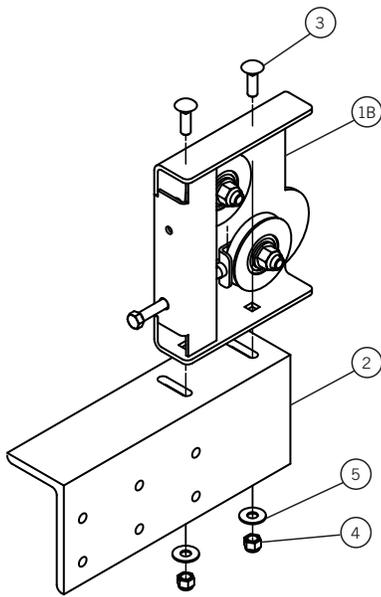
No.	Part No.	Description	Qty.
6A	1111-961469	IDLER CAR ASSY D.S.-PUSH	1
6B	1111-961470	IDLER CAR ASSY P.S.-PUSH	1
7	1111-960810	SHEAVE/BEARING ASSY. 3"	1
8	1111-961466	PUSH BAR ASSY-REAR IDLER	1
9	0810-650735	BOLT, TAP 3/8-16 x 4.5	1
10	0815-660640	NUT HEX. 3/8-16	1
11	0810-650467	BOLT CARR 1/2-13 x 1-3/4"	2
12	0820-680810	WASHER FLAT 1/2"	4
13	0815-660844	NUT HEX. 1/2-13	2

Extended Rear Idler Assemblies

(Double Idler)
1111-961443

(Passenger's Side)

(Driver's Side)

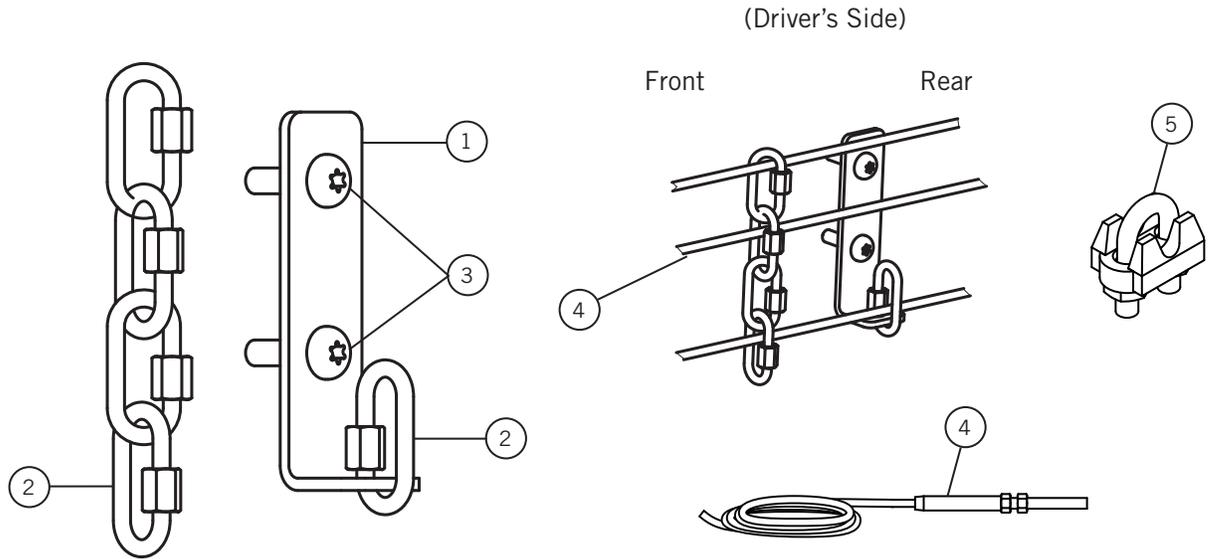


No.	Part No.	Description	Qty.
1A	1111-961467	REAR IDLER ASSY D.S.-PUSH	1
1B	1111-961468	REAR IDLER ASSY P.S.-PUSH	1
2	1111-861444	IDLER BRACKET	1
3	0810-650565	3/8-16 x 1 1/4 CAR BOLT GAL	2
4	0815-660660	NUT HEX 3/8-16 NYLOCK	2
5	0820-680620	WASHER FLAT 3/8"	2

No.	Part No.	Description	Qty.
6A	1111-961469	IDLER CAR ASSY D.S.- PUSH	1
6B	1111-961470	IDLER CAR ASSY P.S.- PUSH	1
7	1111-960810	SHEAVE/BEARING ASSY	2
8	1111-961466	PUSH BAR ASSY - REAR IDLER	1
9	0810-650735	3/8-16 UNC - 4.5 - TAP BOLT HHCS	1
10	0815-660640	3/8-16 HEX FINISH NUT	1
11	0810-650467	BOLT CARR 1/2-13 x 1-3/4"	2

Anti-Lift Assembly

1111-960900



No.	Part No.	Description	Qty.
1	1111-861446	Anti-Lift Bracket	2
2	0720-603513	Chain Quick Link 1/4"	10
3	0825-350621	3/8-16 x 1-1/2 Type F Bolt	4
4	1111-961432	CNG3 Tension Cable 3/16" x 50'	2
5	0850-603750	CLAMP 3/16" FORGED GALV	4



Length	Part No.	Description
16' - 19'	1111-603131	Cable Drive 1/4" Precut CNG 40'
20' - 25'	1111-603132	Cable Drive 1/4" Precut CNG 52'
26' - 30'	1111-603133	Cable Drive 1/4" Precut CNG 64'
32' - 34'	1111-603137	Cable Drive 1/4" Precut CNG 74'
36' - 40'	1111-603134	Cable Drive 1/4" Precut CNG 84'
42'	1111-603135	Cable Drive 1/4" Precut CNG 94'

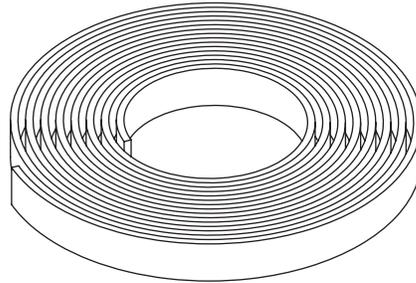
MOUNTING HARDWARE FOR REAR IDLERS

NOT SHOWN

Part No.	Description	Qty.
1111-960498	HRDWR PACK - IDLER MOUNT	
0810-650729	BOLT TAP. 3/8-16 x 7	8
0815-660660	NUT HEX. 3/8-16	8
0820-680620	WASHER FLAT 3/8"	16
0825-650620	BOLT HWH 3/8 x 1-1/2 TYPE F	8

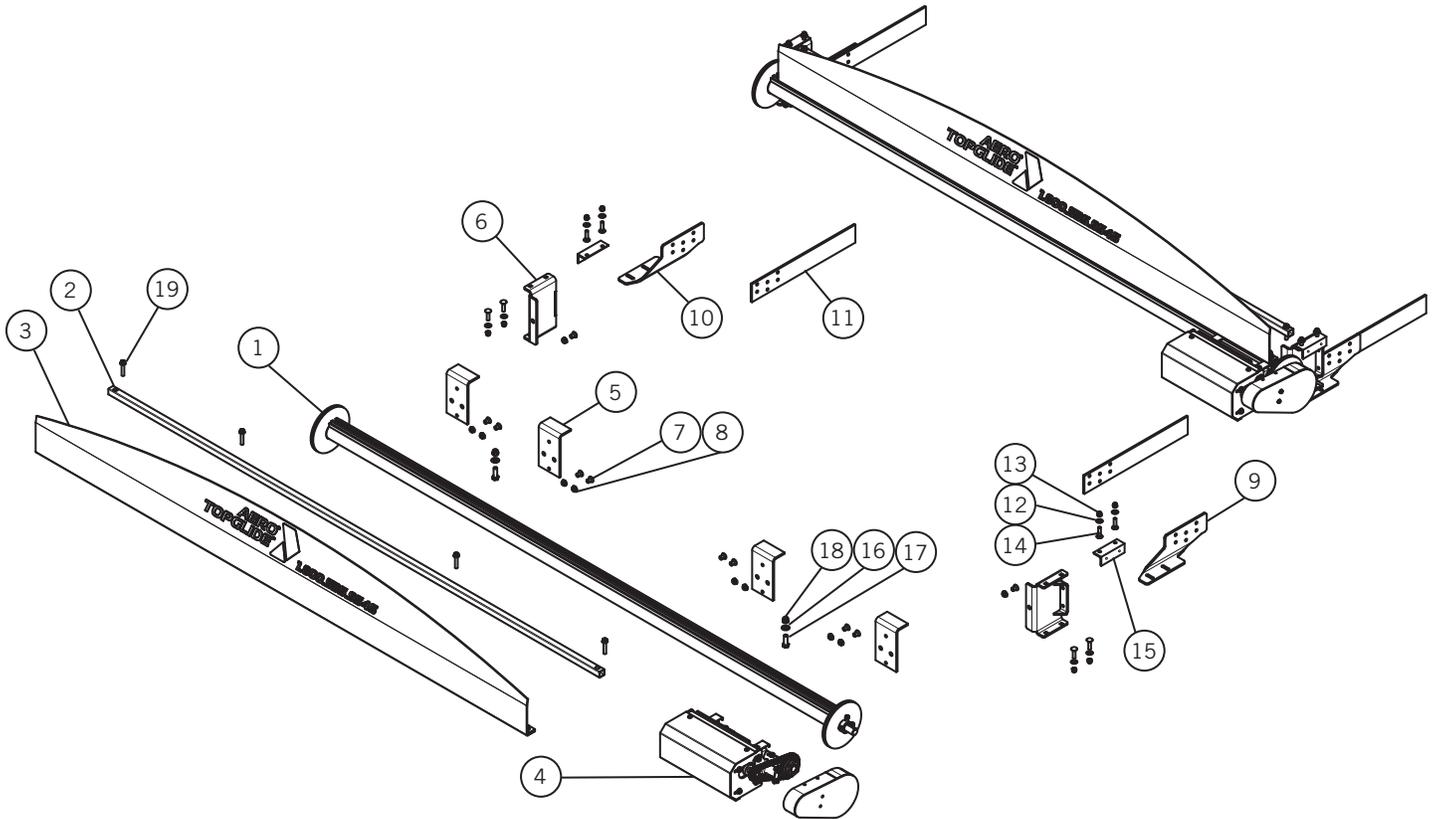
Plastic Glide Strip

1111-619524



Legacy Front Assembly

	System Width	A. Front Assembly Full	1. Front Assembly	2. Tarp Tube Bar	3. Wind Deflector
Electric	99"	1111-963402	1111-960569	1111-860913	1111-962211
	105"	1111-963404	1111-960582	1111-860919	1111-962224
Manual	99"	1111-963407	1111-960569	1111-860913	1111-962211
	105"	1111-963409	1111-960582	1111-860919	1111-962224

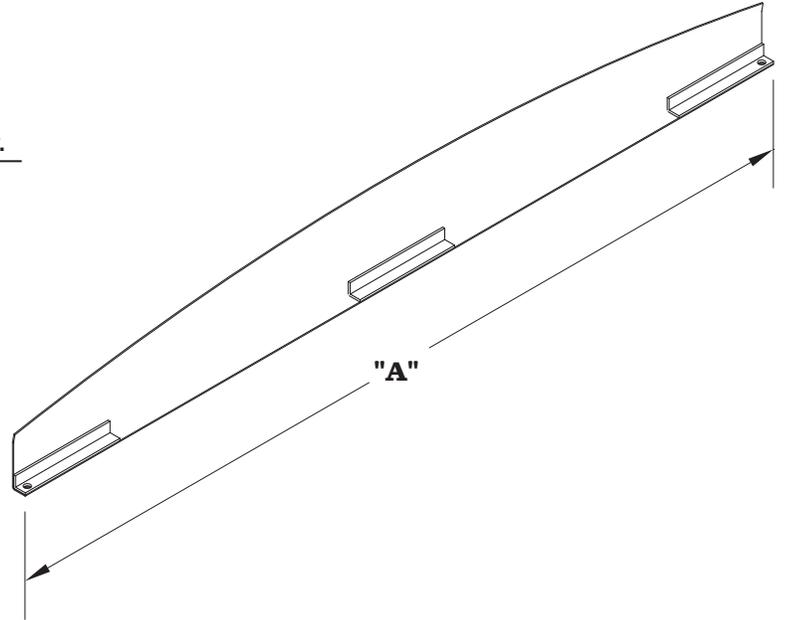
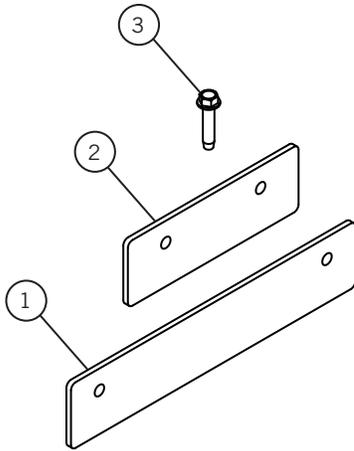


No.	Part No.	Description	Qty.	No.	Part No.	Description	Qty.
1	See Table	Front Assembly	1	11	1111-861445	Extension, Front Bracket	2
2	See Table	Tarp Tube Bar	1	12	0820-680600	3/8 Flat Washer	8
3	See Table	Wind Deflector	1	13	0815-660660	3/8-16 Nylon Lock Nut	8
4	1111-963374	Motor Assembly	1	14	0810-650643	3/8-16 x 1.5 - Carriage Bolt	8
5	1111-861435	Hanger Front Assembly	4	15	1111-861843	Tarp Clamp Base - Front	2
6	1111-961423	Tension Cable Bracket	2	16	0820-680810	1/2 Flat Washer	2
7	0825-650624	1/2-13 x 3/4 Flat Head Bolt	10	17	0810-650819	1/2-13 x 1.5" GR.5 Tap Bolt	2
8	0815-660531	1/2-13 Thin Nylon Lock Nut	10	18	0815-660855	1/2-13 Nylon Lock Nut	2
9	1111-861433	Bracket, Mounting A	1	19	0810-650623	3/8-16 x 2 Type F-Bolt	4
10	1111-861434	Bracket, Mounting B	1				

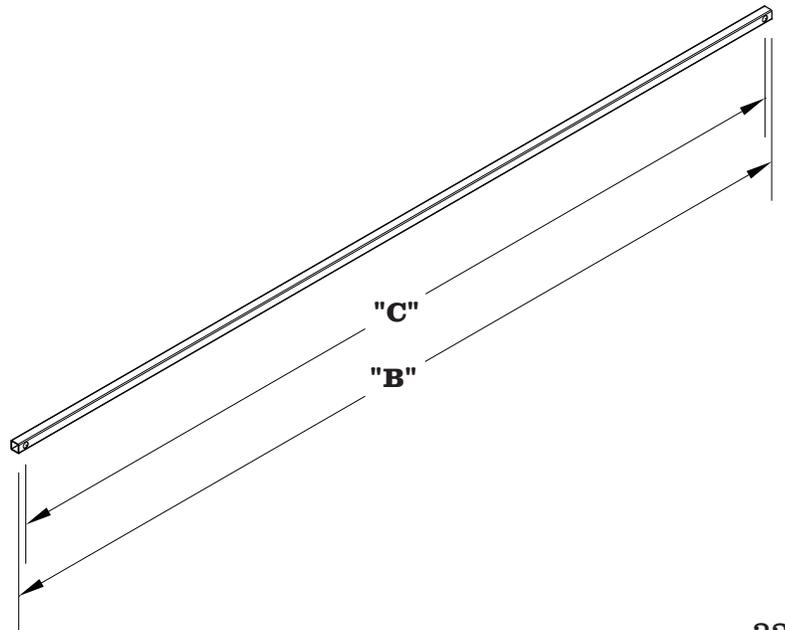
Legacy Wind Deflector Assembly

System Width	Wind Deflector	"A"
99"	1111-962211	95"
105"	1111-962224	101"

No.	Part No.	Description	Qty.
	1111-960499	KIT TARP CLAMP	
1	1111-860580	CLAMP PLATE REAR	2
2	1111-860581	CLAMP PLATE FRONT	2
3	0825-670365	#12 x 1 UNSLOTTED HEX	8



System Width	Tarp Tube	"B"	"C"
99"	1111-860913	95"	93.25"
105"	1111-860919	101"	99.25"





Call 1-800-535-9545
www.aeroindustries.com

INDIANAPOLIS, IN
Indianapolis, IN 46241
800-535-9545
FAX: 317-244-1311

OMAHA, NE
Omaha, NE 68137
800-535-9545
FAX: 402-895-6129

KENT, OH
Kent, OH 44240
888-237-2262
FAX: 330-626-3277

VALLEY, NE
Valley, NE 68064
800-535-9545
FAX: 402-895-6129

© 2023 Aero Industries, Inc.

Aero®, , TOPGLIDE, and TopGlide are trademarks of Aero Industries, Inc.

US: 4854630, 6139085, 6481779, 6582007, 9073414

Canada: 2455928, 2574047