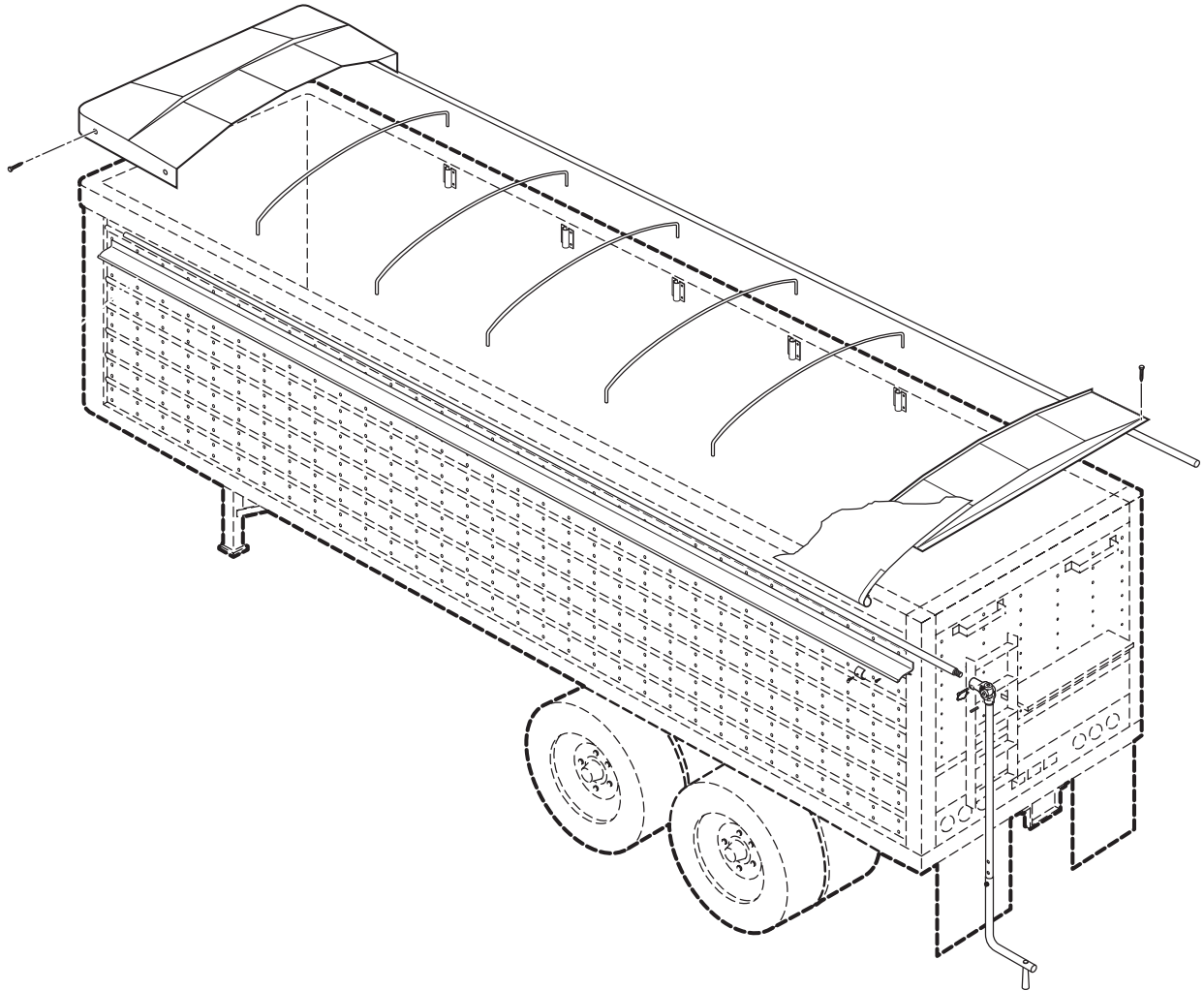




Serving the Truck & Trailer Industry
Since 1944



KWIK-LOCK® / Ratchet & Roll Kit

Parts Lists

Attention Dealers: Please give this owners manual to the customer when the product is delivered.

Call 800-535-9545 | www.aeroindustries.com

Indianapolis, IN | Omaha, NE | Streetsboro OH

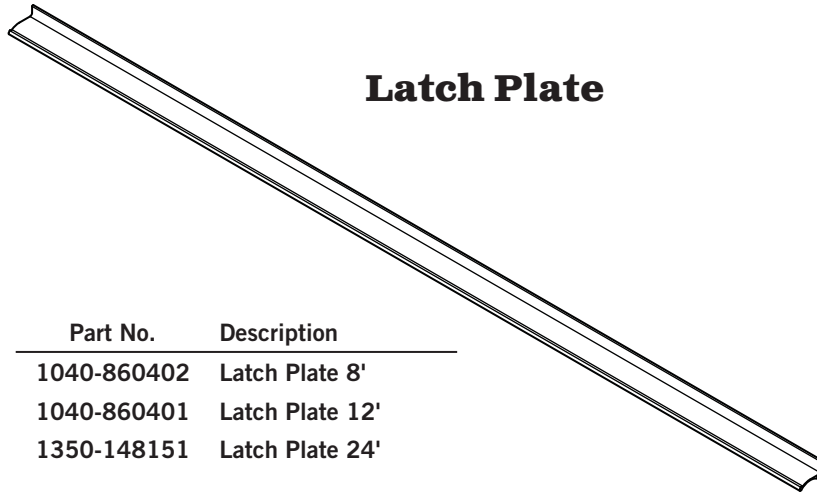
Parts List Directory

Item	Page
Latch Plate, Roll Pipe, and Fixed Tarp Tube	4
Tarp Stops	5
Bows and Brackets	6
Trough and Bracket	7
Flex Bows and Brackets	8
Ratchets and Straps	9
Splined Crank Assemblies	10
Crank Handles	11
Crank Retainers	12
Crank retainers Pinless	13
Swivel and Flat Tarp Stops	14

NOTES

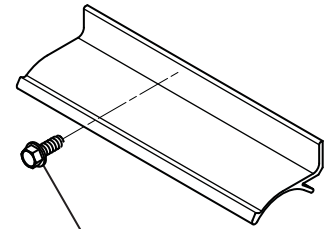
KWIK-LOCK®/Roll Kit

Parts List



Latch Plate

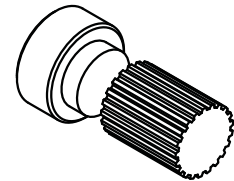
Part No.	Description
1040-860402	Latch Plate 8'
1040-860401	Latch Plate 12'
1350-148151	Latch Plate 24'



0825-650621

3/8 x 1 HWH Type F

(Screws typically
24" on center)



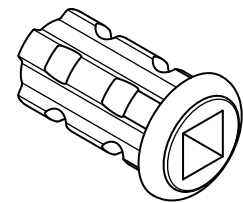
1040-860130

**Spline Male End
Kwik-Lock**

Roll Tube 2" dia W/ Swedge Galvanized Tube



Part No.	Description
1040-860404	Roll Tube 2" - 8'
1040-860403	Roll Tube 2" - 12'
1040-960197	Roll Tube 2" - 24'



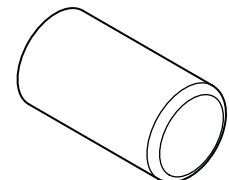
1040-860162

**Gudgeon Steel SQ Hole
Roll Kit**

Curb Side Pipe 1.125" dia W/ Swedge Galvanized Tube

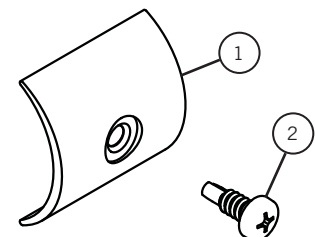


Part No.	Description
1040-860165	Fixed Tarp Tube 1.125" - 8'
1040-860405	Fixed Tarp Tube 1.125" - 12'
1040-860406	Fixed Tarp Tube 1.125" - 24'



0765-617830

Rubber Cup-Curb Side Pipe



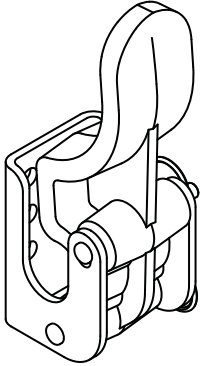
U-Clamp and Screw
on every strap

No.	Part No.	Description
1	1040-860129	U-Clamp
2	0825-670835	14 x 3/4 PPH, Self Drilling

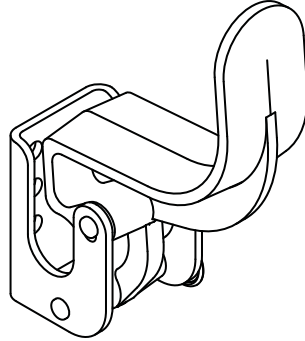
KWIK-LOCK®/Roll Kit

Parts List

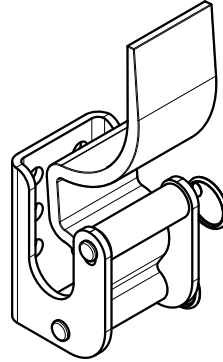
Tarp Stops



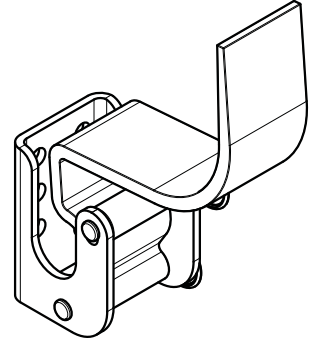
1040-960107
Easy Off 3" Tarp Stop
Assembly Standard
Cast



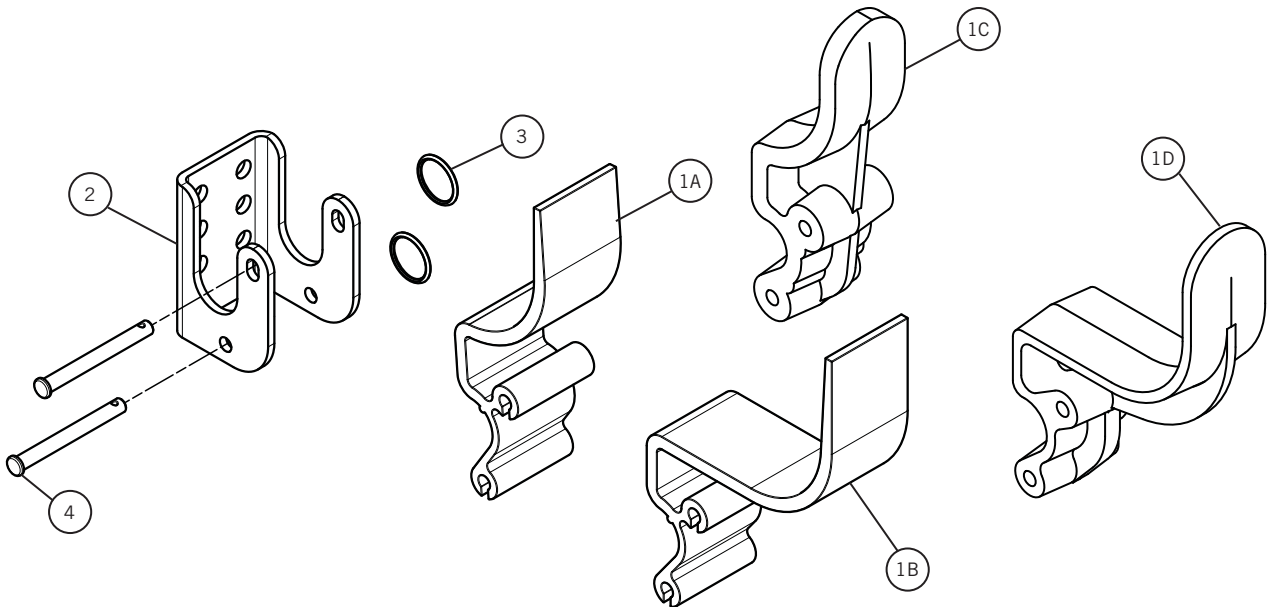
1040-960108
Easy Off 6" Tarp Stop
Assembly Extended
Cast



1040-960217
Easy Off 3" Tarp Stop
Assembly Standard
Extruded



1040-960218
Easy Off 6" Tarp Stop
Assembly Extended
Extruded



No.	Part No.	Description
1A	1040-860184	Tarp Stop 3" Offset Extruded
1B	1040-860185	Tarp Stop 6" Offset Extruded
1C	1040-860119	Easy Off 3" Tarp Stop Cast
1D	1040-860120	Easy Off 6" Tarp Stop Cast
2	1040-860121	Easy Off Tarp Stop Body
3	0835-618500	Circle Pin .074 x 1 1/8
4	0835-619640	Clevis Pin 5/16 x 3

Tarp Stops are mounted with (4) 0825-650621 – 3/8 x 1 Type F

KWIK-LOCK®/Roll Kit

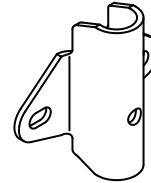
Parts List

Bows and Bracket



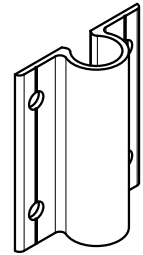
0108-960250

Adjustable Bow Assembly Steel
10" Rise and 83" - 93" Center To Center



1040-860187

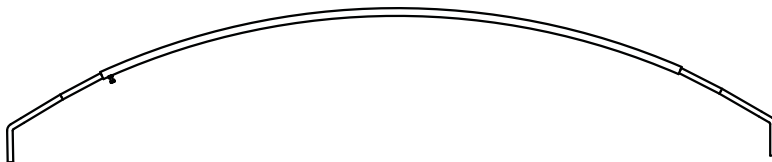
Bow Pocket Steel



1038-860499

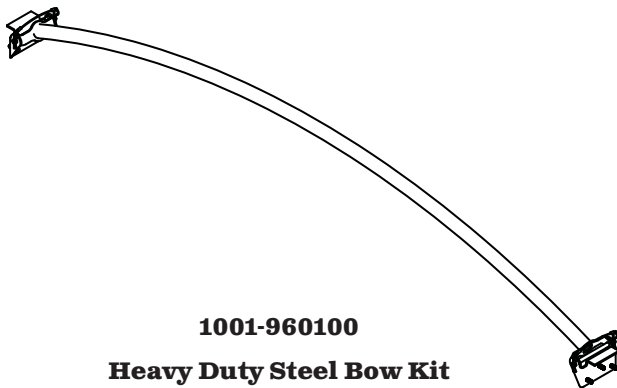
Bow Pocket Aluminum

Bow Brackets are mounted with (4)
 0810-650510 - 5/16 x 1 self-tapping
 screws



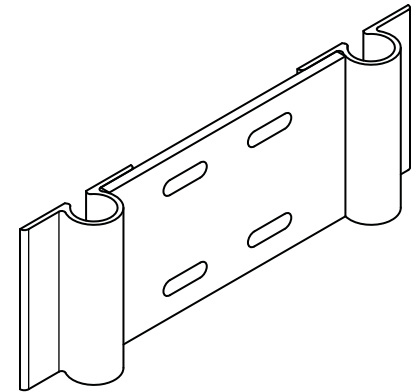
0108-960251

Adjustable Bow Assembly Steel
15" Rise and 93" - 103" Center To Center



1001-960100

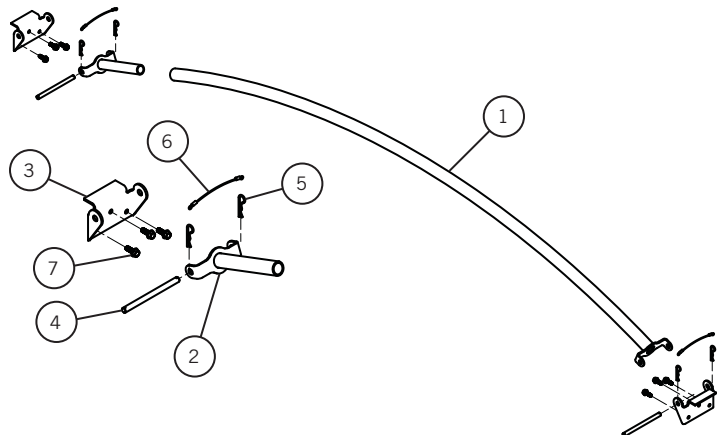
Heavy Duty Steel Bow Kit



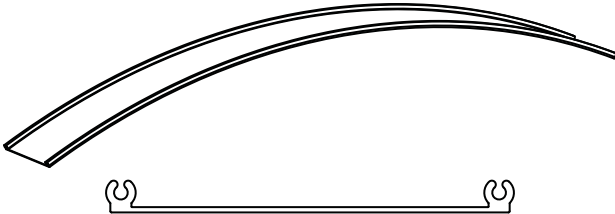
1040-960175

Bow Pocket Fabric Front

No.	Part No.	Description
1	1001-960101	Heavy Duty Steel Bow Assembly
2	1001-960102	Swivel Bracket Assembly
3	1001-860100	Swivel Bracket Base
4	1001-860103	Headless Pin
5	0835-691723	Locking Cotter Pin
6	0760-603123	Lanyard Nylon .093" x 8"
7	0825-650621	3/8 x 1 HWH Type F

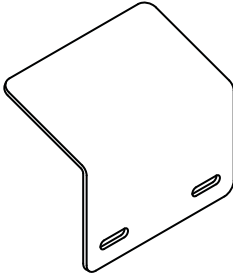


Trough and Bracket



1040-860251

**Trough Extrusion Rolled
12" Rise
102" Overall Length**



1040-860252

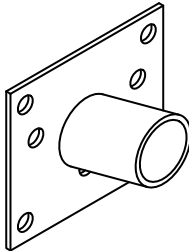
Angle Bracket Trough

Bracket is mounted with (2) 0825-650621 – 3/8 x 1 Type F

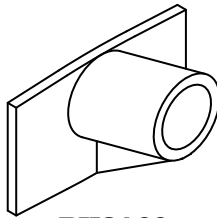
KWIK-LOCK®/Roll Kit

Parts List

Flex Bows and Bracket

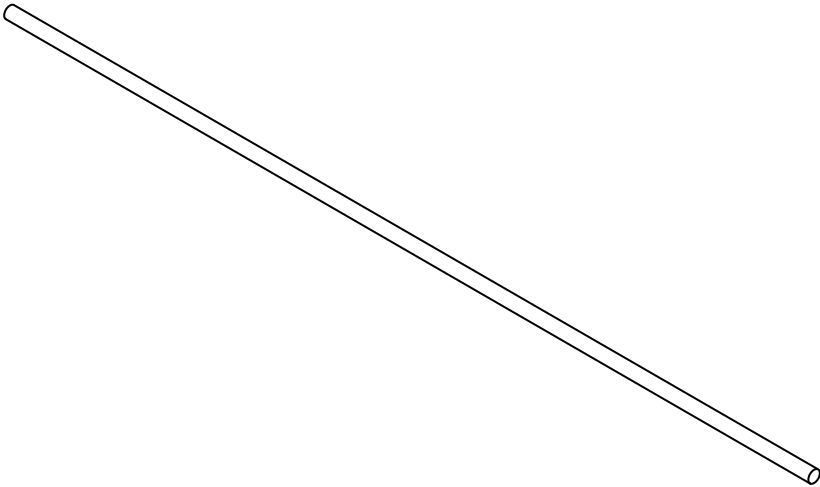


BA2500
Bow Holder Stl



BH2A00
Bow Holder Al

Bracket is mounted with (4)
0825-650621 – 3/8 x 1 Type F

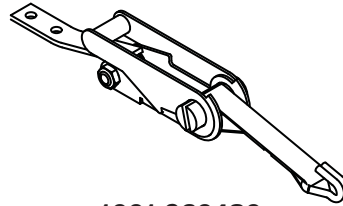


Part No.	Description
CBW096	Flex Bow 96"
CBW102	Flex Bow 102"

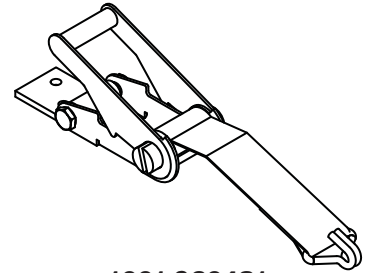
KWIK-LOCK®/Roll Kit

Parts List

Ratchets and Straps

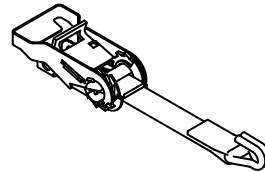


1001-960430
Ratchet Assembly
1" W/Hook

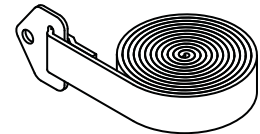


1001-960431
Ratchet Assembly
2" W/Hook

Ratchets and Straps

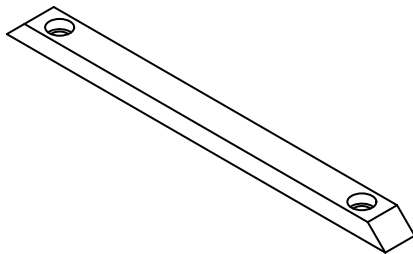


1000-618305
Ratchet 1"
Pre-Assembly

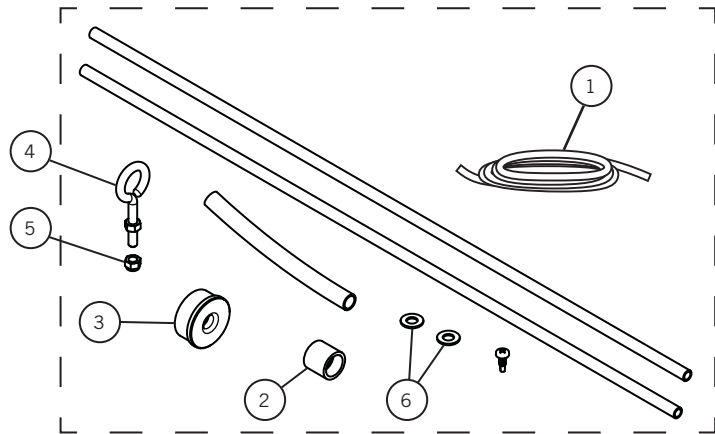


0101-960060
Roof Strap
Assembly 45'

Kwik-Lock Roll Return



1040-860155
Roll Tube Deflector



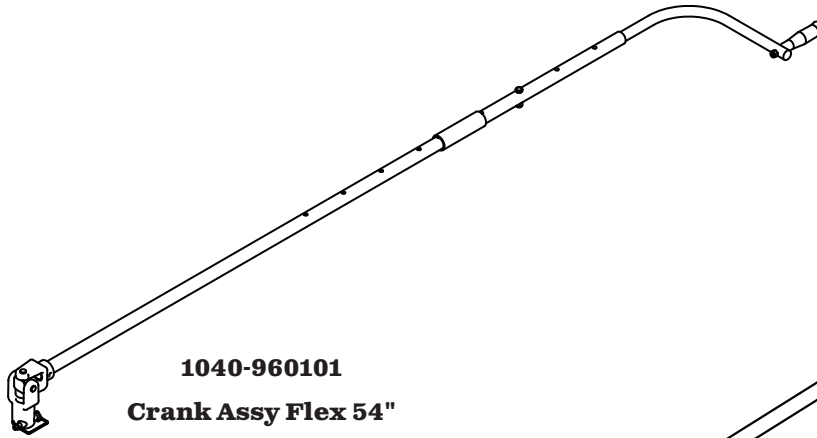
1040-960109
Roll Return Assembly

No.	Part No.	Description
1	1040-860125	Roll Return Cord
2	1040-860126	Roll Return Connector
3	1040-860127	Roll Return End Plug
4	0810-650901	Eye Bolt 5/16-18 x 2
5	0815-660550	5/16-18 Nylon Hex Nut
6	0820-680620	3/8 Flat Washer

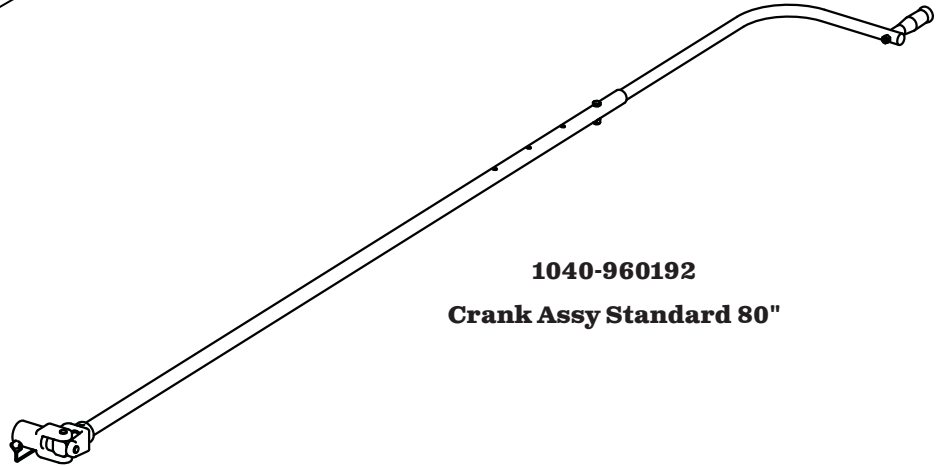
KWIK-LOCK®/Roll Kit

Parts List

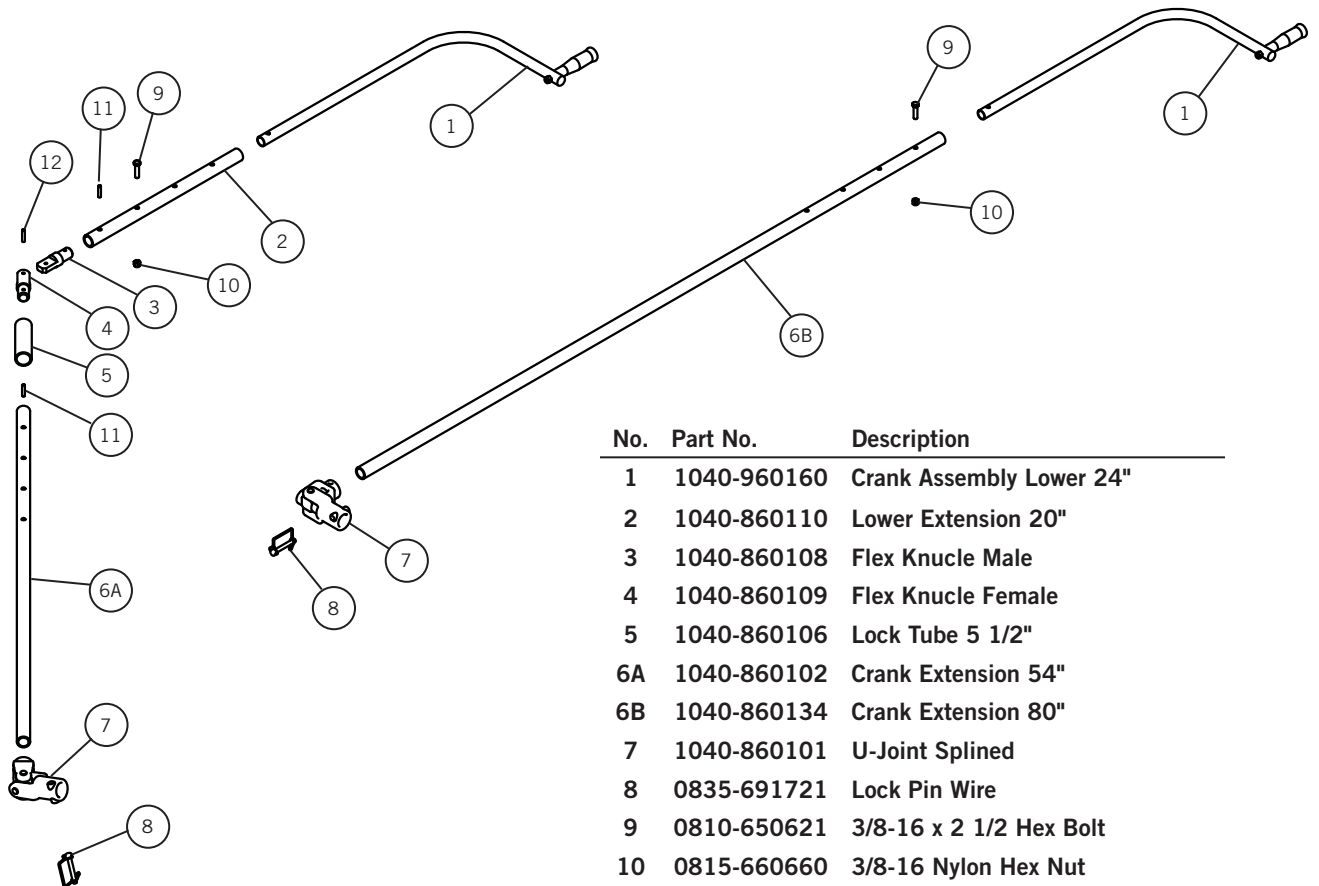
Splined Crank Assemblies



1040-960101
Crank Assy Flex 54"



1040-960192
Crank Assy Standard 80"

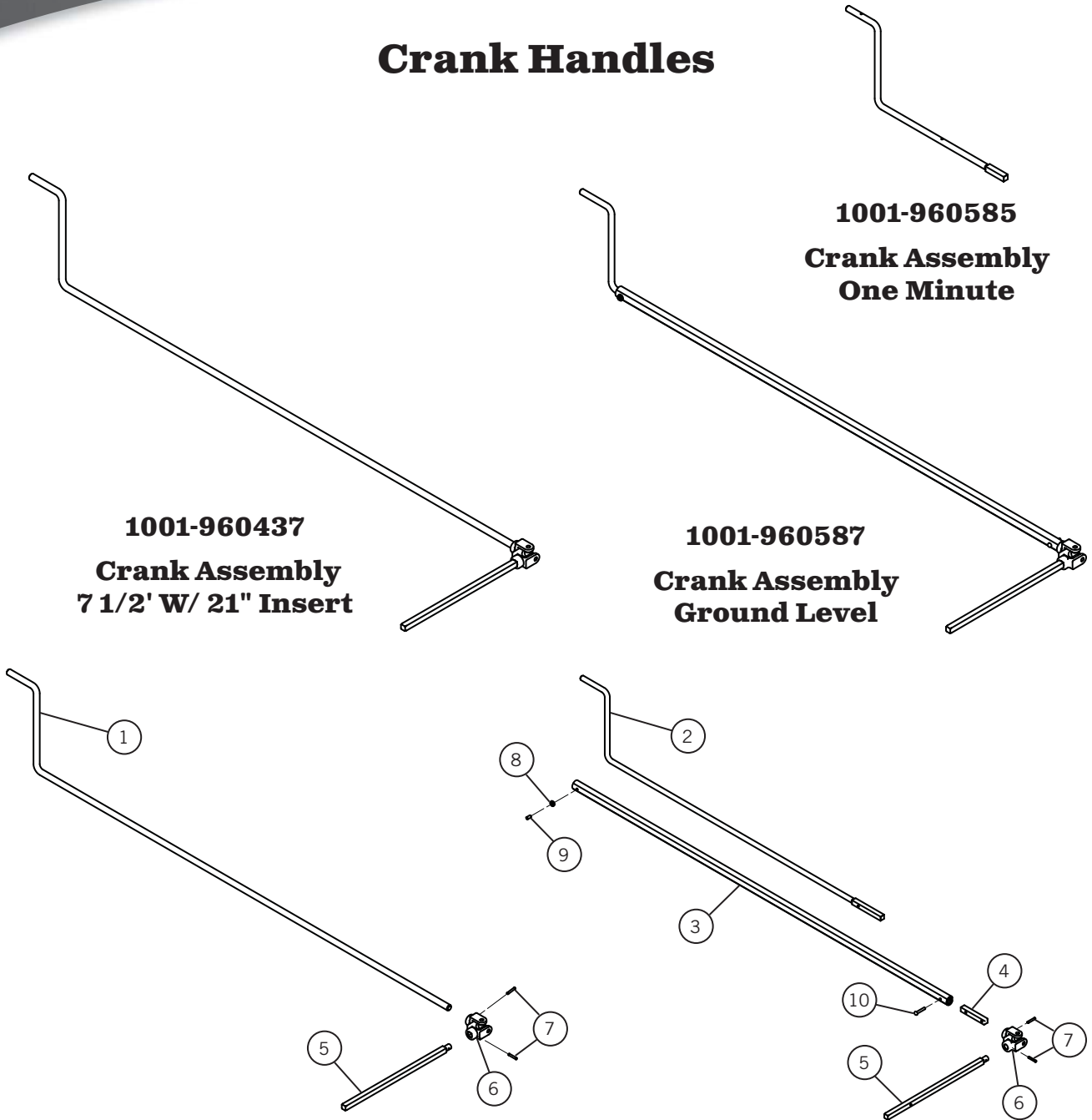


No.	Part No.	Description
1	1040-960160	Crank Assembly Lower 24"
2	1040-860110	Lower Extension 20"
3	1040-860108	Flex Knucle Male
4	1040-860109	Flex Knucle Female
5	1040-860106	Lock Tube 5 1/2"
6A	1040-860102	Crank Extension 54"
6B	1040-860134	Crank Extension 80"
7	1040-860101	U-Joint Splined
8	0835-691721	Lock Pin Wire
9	0810-650621	3/8-16 x 2 1/2 Hex Bolt
10	0815-660660	3/8-16 Nylon Hex Nut
11	0835-691618	Spring Pin 1/4 x 1 1/4
12	0835-691607	Spring Pin 1/4 x 2

KWIK-LOCK®/Roll Kit

Parts List

Crank Handles

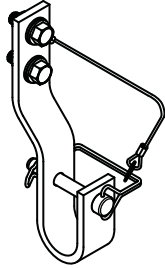


No.	Part No.	Description	No.	Part No.	Description
1	1001-860329	Crank Handle 7 1/2'	6	0780-621510	U-Joint H3 Roll Kit
2	1001-960442	Crank Handle Ground Level	7	0835-691614	1/4 x 1 1/2 Spring Pin
3	1001-861185	Crank Pipe 78" Aluminum	8	0825-670640	3/8-24 x 3/4 SSS
4	1001-861181	Crank Insert 5" W/ Bead	9	0815-660665	3/8-24 Hex Jam Nut
5	1001-861167	Crank Insert 21"	10	0830-691818	5/16 x 1 3/4 Mushroom Rivet

KWIK-LOCK®/Roll Kit

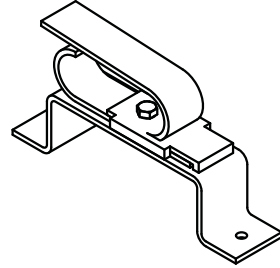
Parts List

Crank Retainers



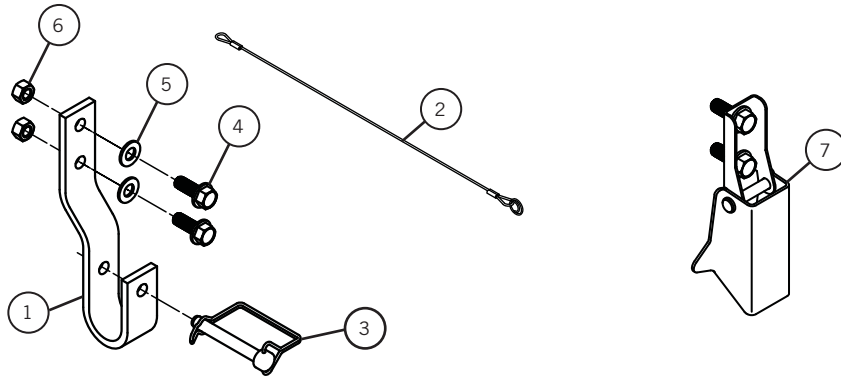
1040-960106

Crank Retainer Offset



1041-960132

**Crank Retainer Assembly
Farm Box**

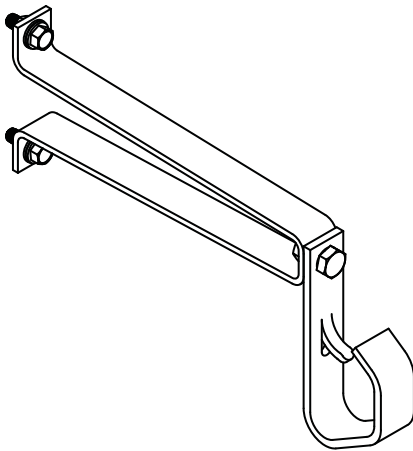


No.	Part No.	Description
1	1040-860116	Offset Crank Retaining J-Hook
2	1040-860113	Cable with Interlock Snap
3	0835-691721	Wire Lock Pin
4	0825-650621	3/8-16 x 1 Hex Washer Head Type F
5	0820-680620	3/8 Flat Washer
6	0815-660640	3/8-16 Hex Nut
7	1040-860205	Retainer Spring Loaded

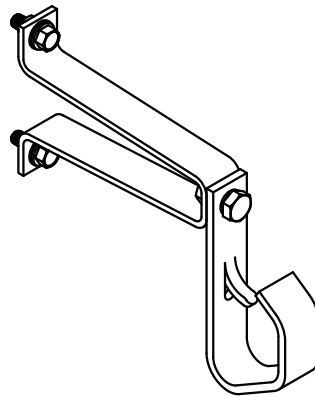
KWIK-LOCK®/Roll Kit

Parts List

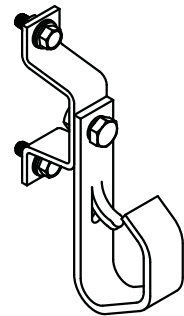
Crank Retainers Pinless



1040-960202
Crank Retainer Pinless
W/ 11" Standoff

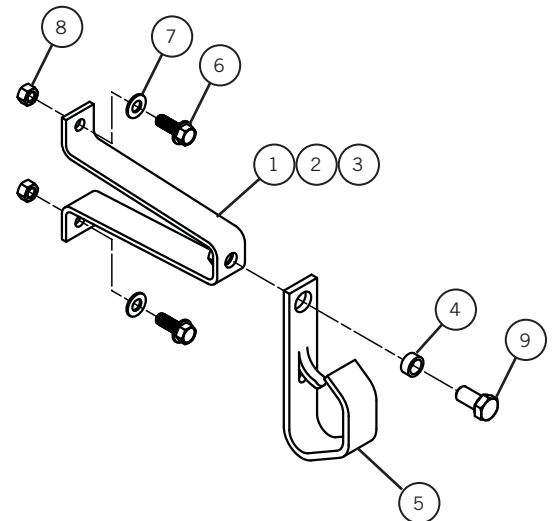


1040-960104
Crank Retainer Pinless
W/ 7" Standoff

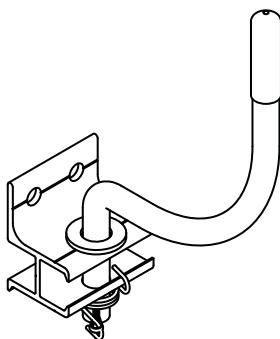


1040-960105
Crank Retainer Pinless
W/ 2" Standoff

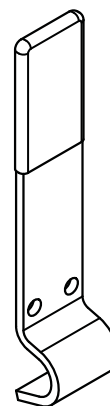
No.	Part No.	Description
1	1040-860115	2" Standoff
2	1040-860114	7" Standoff
3	1040-860204	11" Standoff
4	0845-690250	Retainer Bushing
5	1040-860111	Crank Retainer, Pinless
6	0825-650621	3/8-16 x 1 Hex Washer Head Type F
7	0820-680620	3/8 Flat Washer
8	0815-660640	3/8-16 Hex Nut
9	0810-600001	1/2-13 x 1 Hex Head



Swivel and Flat Tarp Stops



1001-960427
Roll Stop W/Spring



1040-960158
Tarp Stop Assembly W/ Cap

Brackets are mounted with (2) 0825-650621 – 3/8 x 1 Type F

1440-281220
Steel Tube .840 OD x 24"
Curbside Pipe

KWIK-LOCK®/Roll Kit

Parts List

NOTES

KWIK-LOCK®/Roll Kit



INDIANAPOLIS, IN
Indianapolis, IN 46241
800-535-9545
FAX: 317-244-1311

OMAHA, NE
Omaha, NE 68137
800-535-9545
FAX: 402-895-6129

STREETSBORO, OH
Streetsboro, OH 44241
800-535-8552
FAX: 330-626-3277

© 2010 Aero Industries, Inc.